

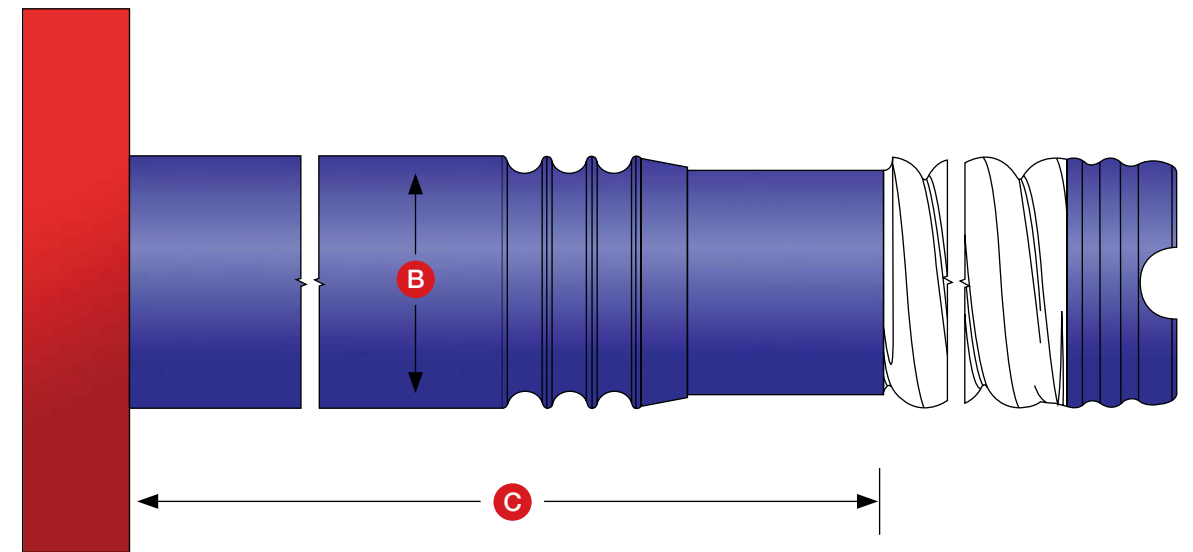
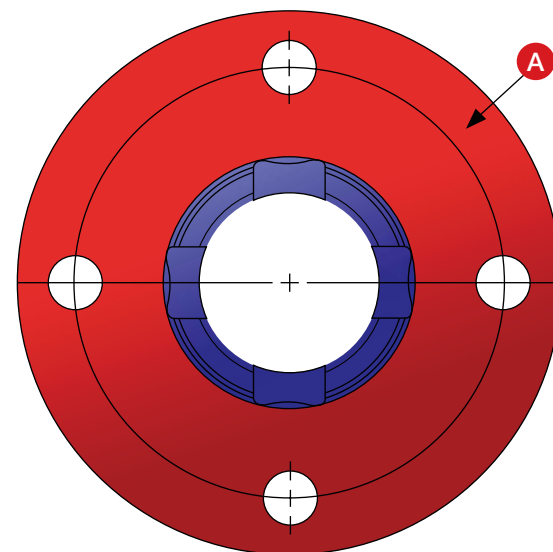
SINGLE FLANGE EDUCTION TUBE

MULTI-CATEGORY PRODUCT

Lightweight, corrosion resistant, plastic Eduction tubes primarily used in corrosive environments such as HCL, ferric chloride, ferrous chloride and bleach.

Breakdown of Salco's Part Numbering System

EXAMPLE PART #: HS3DT23103



HS	^A 3	DT	^B 23	^C 103
Hazarsolve	Flange Size 3" 4" ** Omit # 5" 6" (Truck Application) Standard 150lb ANSI Flange ** 4" Dip Tube Flanges have both 7 1/2" and 7 3/4" bolt circles (slotted holes)	Dip Tube	Pipe Diameter 23 = smaller 3" OD x 2" ID diameter tube Omit # if standard 3 1/2" OD x 2 1/2" ID Diameter	Length (Nominal) 103" finished length 111" to 120 1/2" 110" finished length 121" to 127 1/2" 116" finished length 128" to 133 1/2" 72" Truck Application (No Flex End)