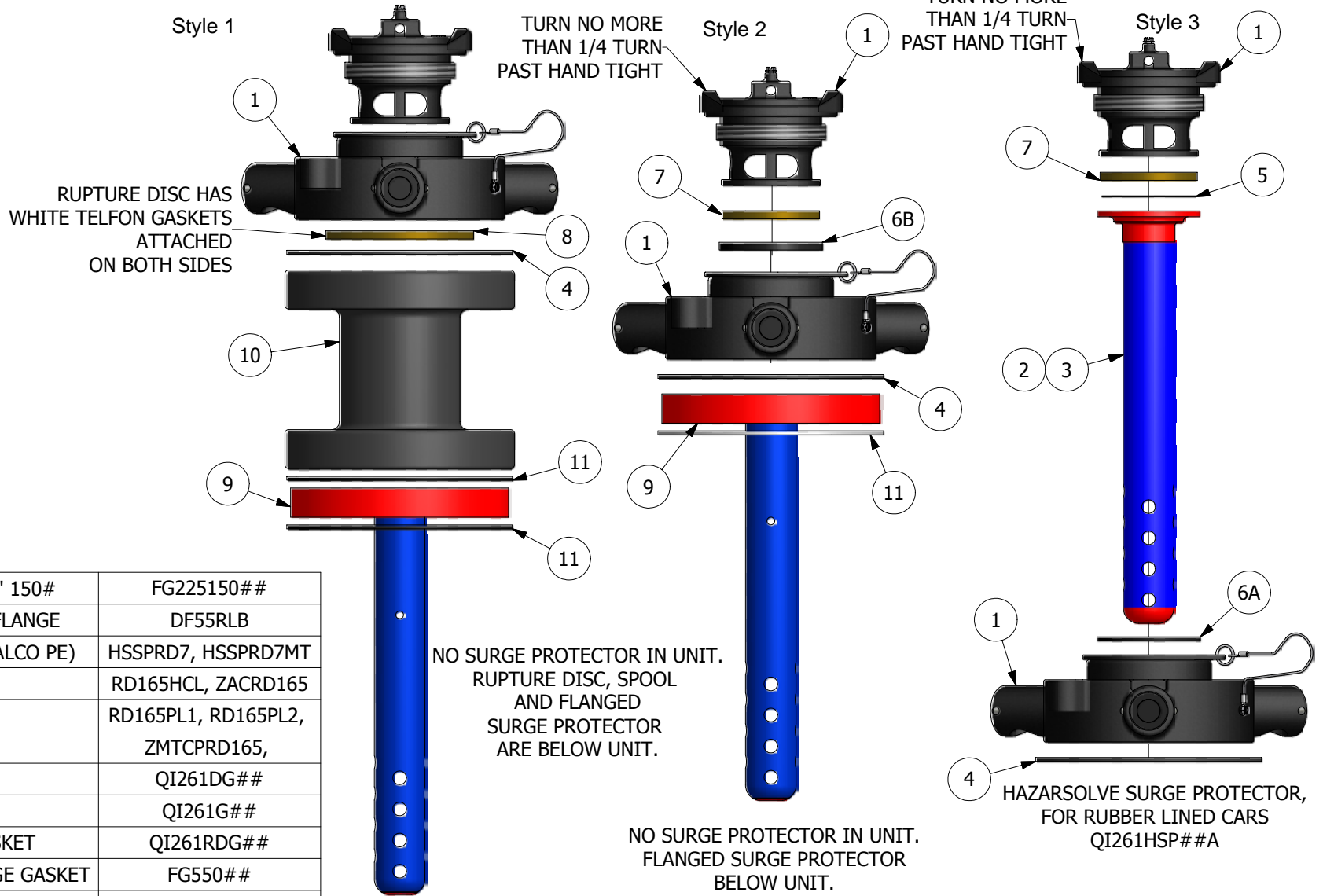


HYDROCHLORIC ACID CHART



RUPTURE DISC HAS WHITE TELFON GASKETS ATTACHED ON BOTH SIDES

NO SURGE PROTECTOR IN UNIT. RUPTURE DISC, SPOOL AND FLANGED SURGE PROTECTOR ARE BELOW UNIT.

NO SURGE PROTECTOR IN UNIT. FLANGED SURGE PROTECTOR BELOW UNIT.

HAZARSOLVE SURGE PROTECTOR, FOR RUBBER LINED CARS QI261HSP##A

11	FLANGE GASKET 2 1/2" 150#	FG225150##
10	RUBBER LINED DUAL FLANGE	DF55RLB
9	SURGE PROTECTOR(SALCO PE)	HSSPRD7, HSSPRD7MT
8	RUPTURE DISC	RD165HCL, ZACRD165
7	RUPTURE DISC	RD165PL1, RD165PL2, ZMTCPRD165,
6B	QI RETAINER GASKET	QI261DG##
6A	QI RETAINER GASKET	QI261G##
5	QI RUPTURE DISK GASKET	QI261RDG##
4	QUICK INSPECT FLANGE GASKET	FG550##
3	SURGE PROTECTOR(SALCO PE)	HSSPRD33, HSSPRD33MT
2	SURGE PROTECTOR	DSP3313, DSP3313R, DSP3313SS6
1	QUICK INSPECT SAFETY VENT	QI261BSA
NO.	PART NAME	PART#

NOTES:
ALL RUPTURE DISC HOLDERS SHOULD HAVE SURGE PROTECTION. SURGE PROTECTION WILL NOT ALWAYS BE INSIDE THE QUICK INSPECT BODY. QUICK INSPECT BODY HAS A THREE HOLE 5 1/2" BOLT CIRCLE. A SPOOL ADAPTER MAY BE NECESSARY TO ADAPT TO CAR FLANGE.

REVISION: C 10/16/2009

SALCO PRODUCTS, INC.
 20 W 201 101st St., Suite A • Lemont, IL 60439
 (630) 783-2570 Fax (630) 783-2580
 22311 Hufsmith-Kohrville • Tomball, TX 77375
 (281) 351-0274 Fax (281) 351-1514