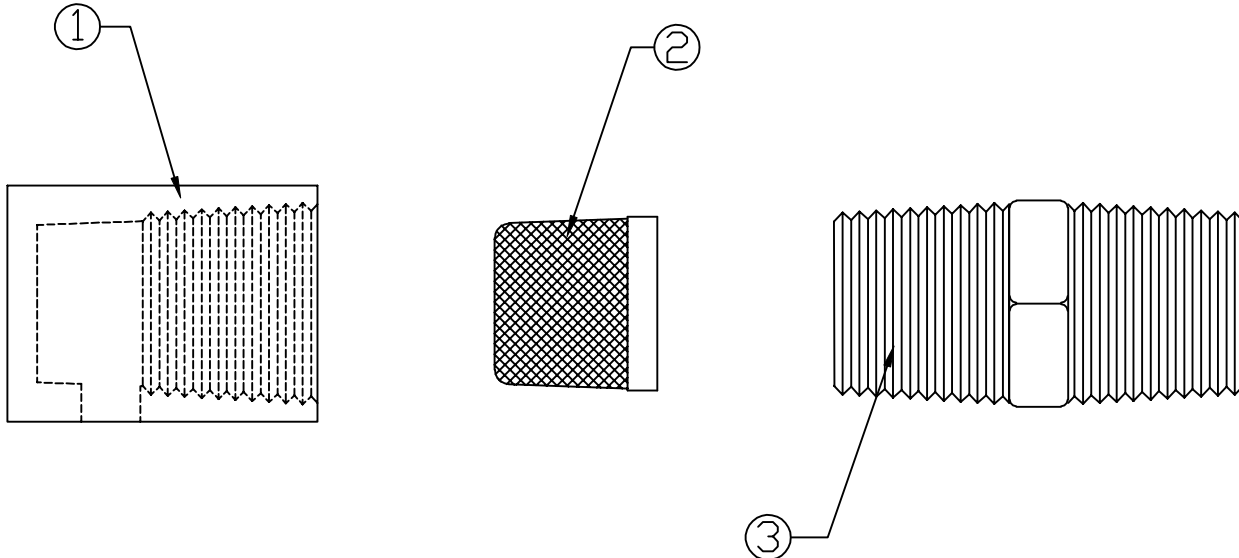


NO.	PART NAME	PART #	REQ'D	MATERIAL
1	HATCH RING VENT	HR20V	1	304L S.S.
2	HATCH RING VENT SCREEN	HR20VS	1	SS/RUBBER
3	1/2" NPT MALE TO MALE NIPPLE	A9818	1	316 S.S.



REV	BY	DATE	DESCRIPTION

SALCO PRODUCTS			
DRAWN BY: FOD	CHKD BY: SAB	SCALE: 2:1	APPROVAL DATE: 3-30-99
MATERIAL: SEE B.O.M.			
PART NAME: HATCH RING VENT ASSEMBLY			
PROJECT #: 981201	PROTOTYPE AND DATE: FOD 12-1-98	APPROVED FOR PRODUCTION:	
DRAWING #: B9817	PART #: HR20VS46A		

UNLESS OTHERWISE SPECIFIED
DIMENSIONAL TOLERANCES

FRACTIONAL	±1/16
X.XX	±0.03
X.XXX	±0.015
ANGULAR	±1°

THIS PRINT, PROPERTY OF SALCO PRODUCTS INC.,
CONTAINS PROPRIETARY INFORMATION AND MUST
NOT BE COPIED, REPRODUCED, OR USED
IN WHOLE OR IN PART WITHOUT THE WRITTEN
CONSENT OF SALCO PRODUCTS INC.

THIRD ANGLE PROJECTION