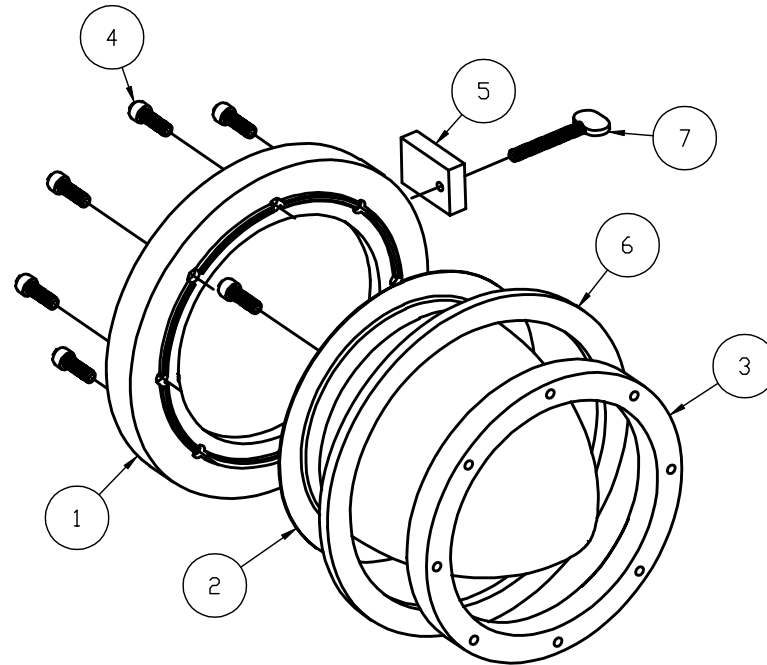
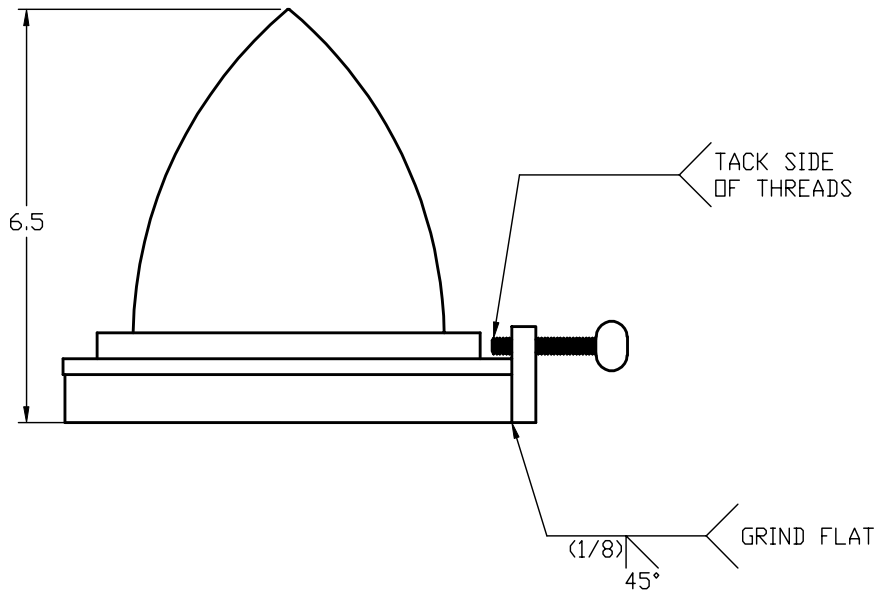
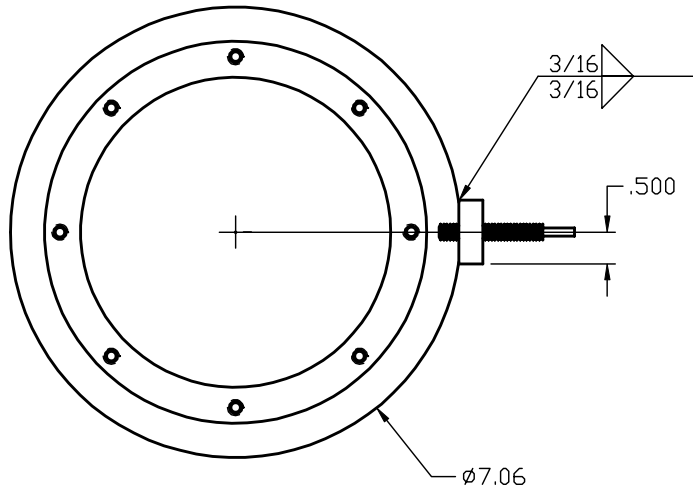


NO.	PART NAME	PART #	REQ'D	MATERIAL
1	TOP FILTER FLANGE	ONGFITF	1	535 ALMAG
2	FILTER CONE	ONGFIFC	1	ALUMINUM
3	BOTTOM FILTER RING	ONGFIBR	1	535 ALMAG
4	SCREW SHC 1/4"-20 UNC X 3/4"	ONGFICS	8	18-8 SS
5	THUMBWHEEL BRACKET	ONGFITB	1	6061 AL
6	DUST CAP GASKET 6"	PD6DCGW	1	WHITE BUNA-N
7	1/4"-20 X 1-1/2" THUMB SCREW	ONGFITS	1	18-8 SS



NOTE:  
 LOCTITE 1/4" CAP SCREWS DURING ASSEMBLY.  
 SUPERGLUE GASKET TO FLANGE SURFACE.  
 ASSEMBLY TO FREE OF OIL AND DEBRIS.

UNLESS OTHERWISE SPECIFIED DIMENSIONAL TOLERANCES		<b>SALCO PRODUCTS, INC.</b>		
FRACTIONAL	+1/16 -0.03	DRAWN BY: MR	CHKD BY:	SCALE: 3/4"=1" APPROVAL DATE: 7/17/03
X.XXX	+0.03	MATERIAL: SEE BOM		
X.XXX	+0.015	PART NAME: FILTER CONE RETAINER ASSEMBLY		
ANGULAR	+1°	PROJECT # 030416		PROTOTYPE AND DATE: MR 6/30/03
THIS PRINT, PROPERTY OF SALCO PRODUCTS INC. CONTAINS PROPRIETARY INFORMATION AND MUST NOT BE COPIED, REPRODUCED, OR USED WITHOUT WRITTEN PERMISSION FROM SALCO PRODUCTS TO OUR INTEREST.		APPROVED FOR PRODUCTION: MR		
THIRD ANGLE PROJECTION		DRAWING #:	PART #:	
		C18158	ONGFICRA	