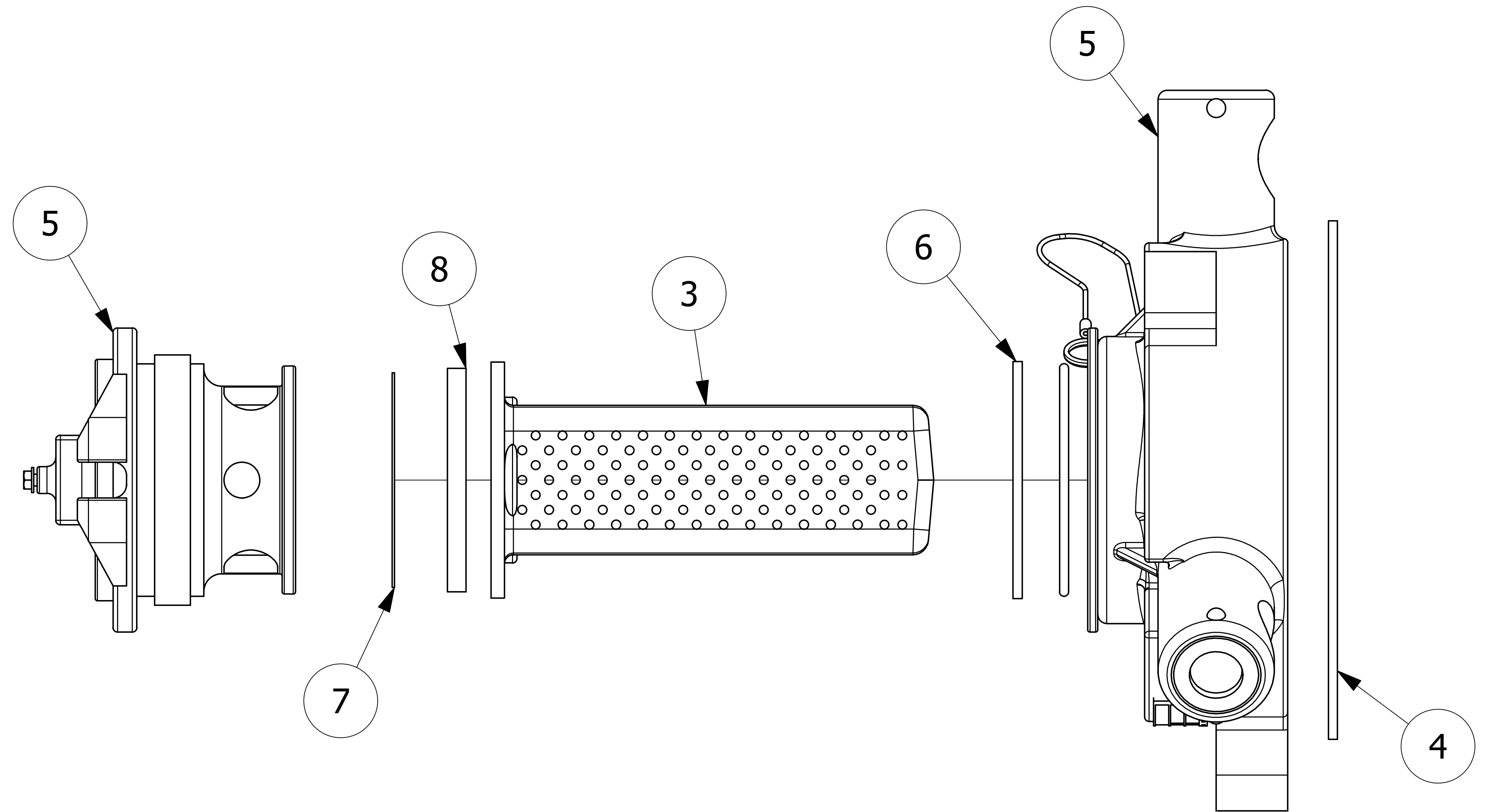


NO	PART NAME	PART#	REQ'D	MATERIAL
1	ID PLATE 3" X 3/4"	A15152	.5	ALUMINUM
2	DRIVE SCREW TYPE U #2 X 1/8"	DR218	2	18-8 SS
3	SURGE PROTECTOR	DSP3313SS6	1	316 SS
4	QUICK INSPECT FLANGE GASKET	FG5507	1	BLACK VITON B
5	QUICK INSPECT SAFETY VENT	QI261BSA	1	BLACK NORYL
6	QI RETAINER GASKET	QI261G7	1	BLACK VITON B
7	QI RUPTURE DISK GASKET	QI261RDG7	1	BLACK VITON B
8	RUPTURE DISC (SOLD SEPARATELY)			



- NOTES:**
1. CUSTOMERS RESPONSIBILITY FOR COMPATIBILITY OF COMMODITY.
  2. AAR APPROVAL # PRD-162102.
  3. SEE DOCUMENT Q-2.14 FOR MARKING PROCEDURES.
  4. FASTEN ID PLATE WITH DRIVE SCREWS.

D	WEB	1/25/22	Q-2.14 WAS QAP5A-1; UPDATED TITLE BLOCK
C	JG	2/7/17	AAR APPROVAL # WAS SRD-063000
B	TAK	8/27/13	ADDED A15152, DR218 & QAP5A-1 NOTE
A	BG	8/16/12	NEW PART ADDED TO THE NETWORK
REV	BY	DATE	DESCRIPTION

UNLESS OTHERWISE SPECIFIED DIMENSIONAL TOLERANCES FRACTIONAL: ±1/16 X.XX: ±.03 X.XXX: ±.015 ANGULAR: ±1° DEBURR ALL SHARP EDGES. ALL MACHINED SURFACES TO HAVE A 125 RMS FINISH UNLESS NOTED OTHERWISE. THIRD ANGLE PROJECTION	DRAWN BY: GDS CHECKED BY: CHL PROTOTYPE DATE: 8/16/2012 APPROVED FOR PRODUCTION BY: CHL PRODUCTION DATE: 8/16/2012 SIZE: E DRAWING #: 34059
--	---

**SALCO PRODUCTS, INC.**

**QUICK INSPECT SAFETY VENT**

**SEE BOM**

PROJECT #: 120816      SHEET #: 1 OF 1      SCALE: 1 : 1

**QI2616SS07A**