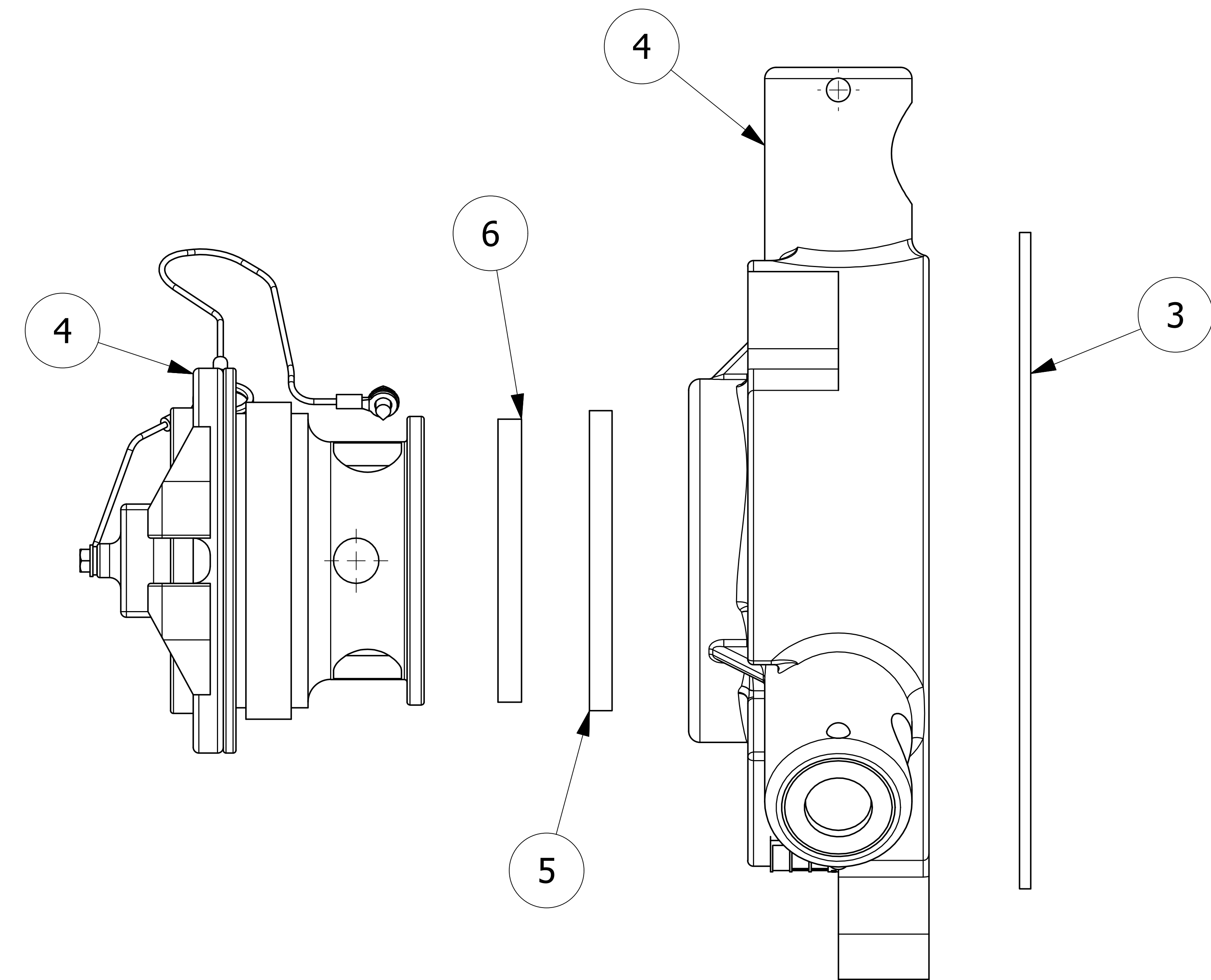
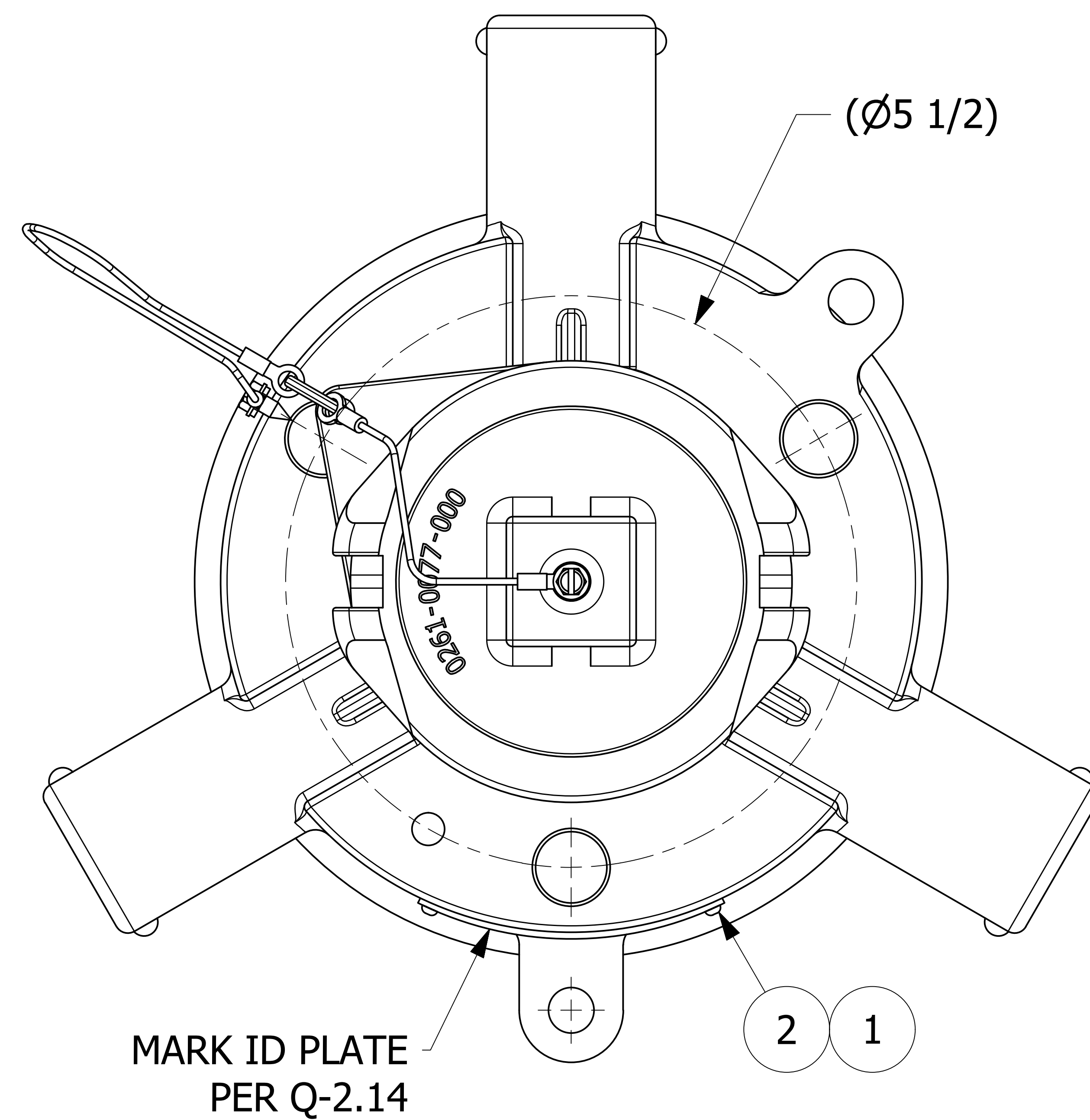


NO	PART NAME	PART#	REQ'D	MATERIAL
1	ID PLATE 3" X 3/4"	A15152	1	ALUMINUM
2	DRIVE SCREW TYPE U #2 X 1/8"	DR218	2	18-8 SS
3	QUICK INSPECT FLANGE GASKET	FG550209	1	BLACK CAROLINA SEAL 5350
4	QUICK INSPECT SAFETY VENT	QI261BS209A	1	BLACK NORYL
5	QI RETAINER GASKET	QI261DG209	1	BLACK CAROLINA SEAL 5350
6	RUPTURE DISC(SOLD SEPARATLEY)			



NOTES:

1. CUSTOMERS RESPONSIBILITY FOR COMPATIBILITY OF COMMODITY.
2. AAR APPROVAL # PRD-162102.
3. SEE DOCUMENT Q-2.14 FOR MARKING PROCEDURE.
4. FASTEN ID PLATE WITH DRIVE SCREWS.

REV	BY	DATE	DESCRIPTION
C	WEB	4/5/22	Q-2.14 WAS QAP5A-1
B	JG	2/8/17	AAR APPROVAL # WAS SRD-063000; ADDED NOTES 3 & 4; ADDED DR218 & A15152
A	GS	8/29/13	DRAWING RELEASED FOR PRODUCTION

UNLESS OTHERWISE SPECIFIED DIMENSIONAL TOLERANCES FRACTIONAL: ±1/16 X.XX: ±.03 X.XXX: ±.015 ANGULAR: ±1° DEBURR ALL SHARP EDGES. ALL MACHINED SURFACES TO HAVE A 125 RMS FINISH UNLESS NOTED OTHERWISE. THIRD ANGLE PROJECTION	DRAWN BY:	GS
	CHECKED BY:	CHL
	PROTOTYPE DATE:	8/21/2013
	APPROVED FOR PRODUCTION BY:	CHL
	PRODUCTION DATE:	8/29/2013
	SIZE:	E
DRAWING #:	37010	

SALCO PRODUCTS, INC.

QUICK INSPECT SAFETY VENT

SEE BOM

PROJECT #: 130723FR1 SHEET #: 1 OF 1 SCALE: 5:4

PART #: **QI261DG209A**