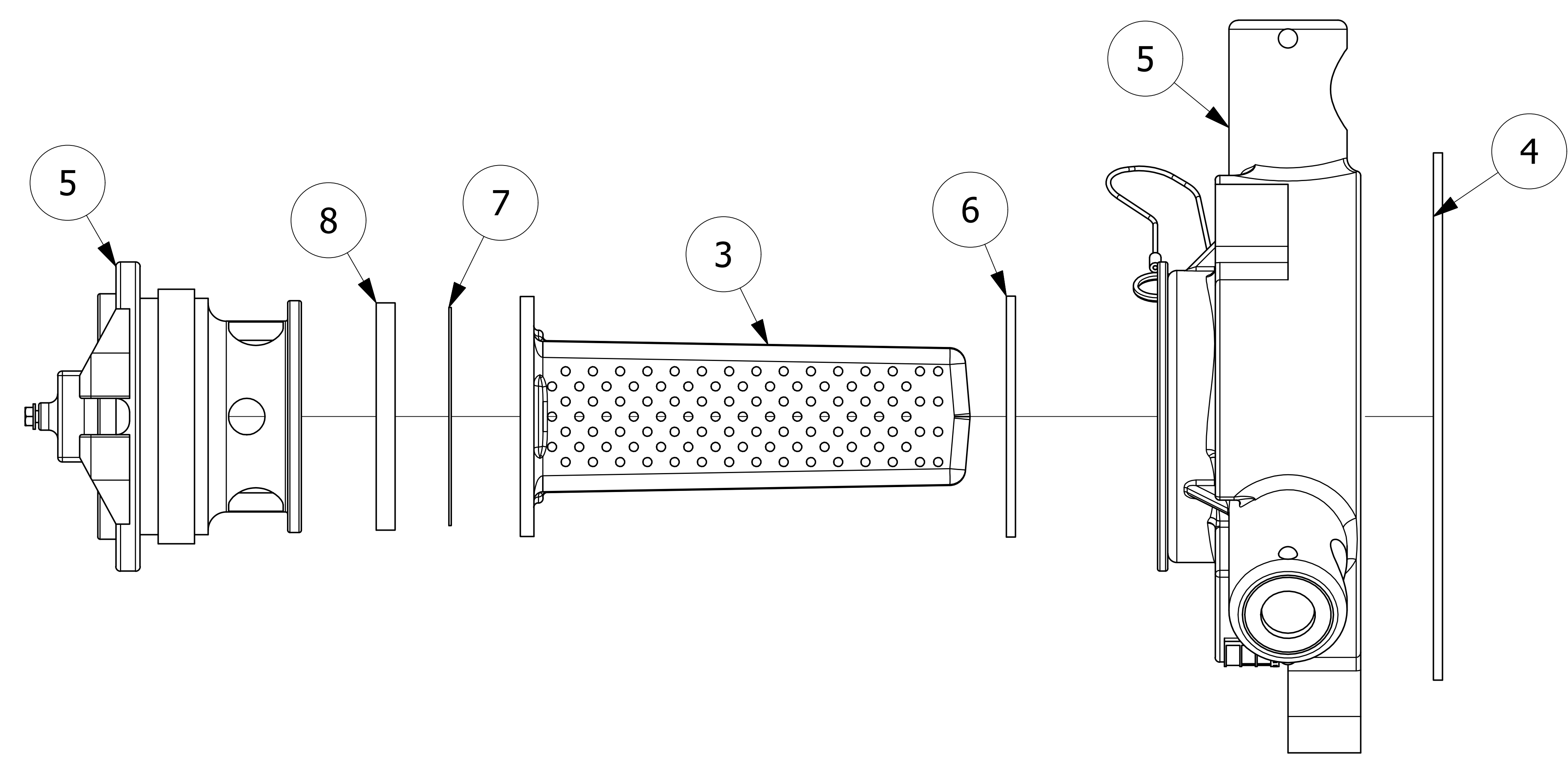
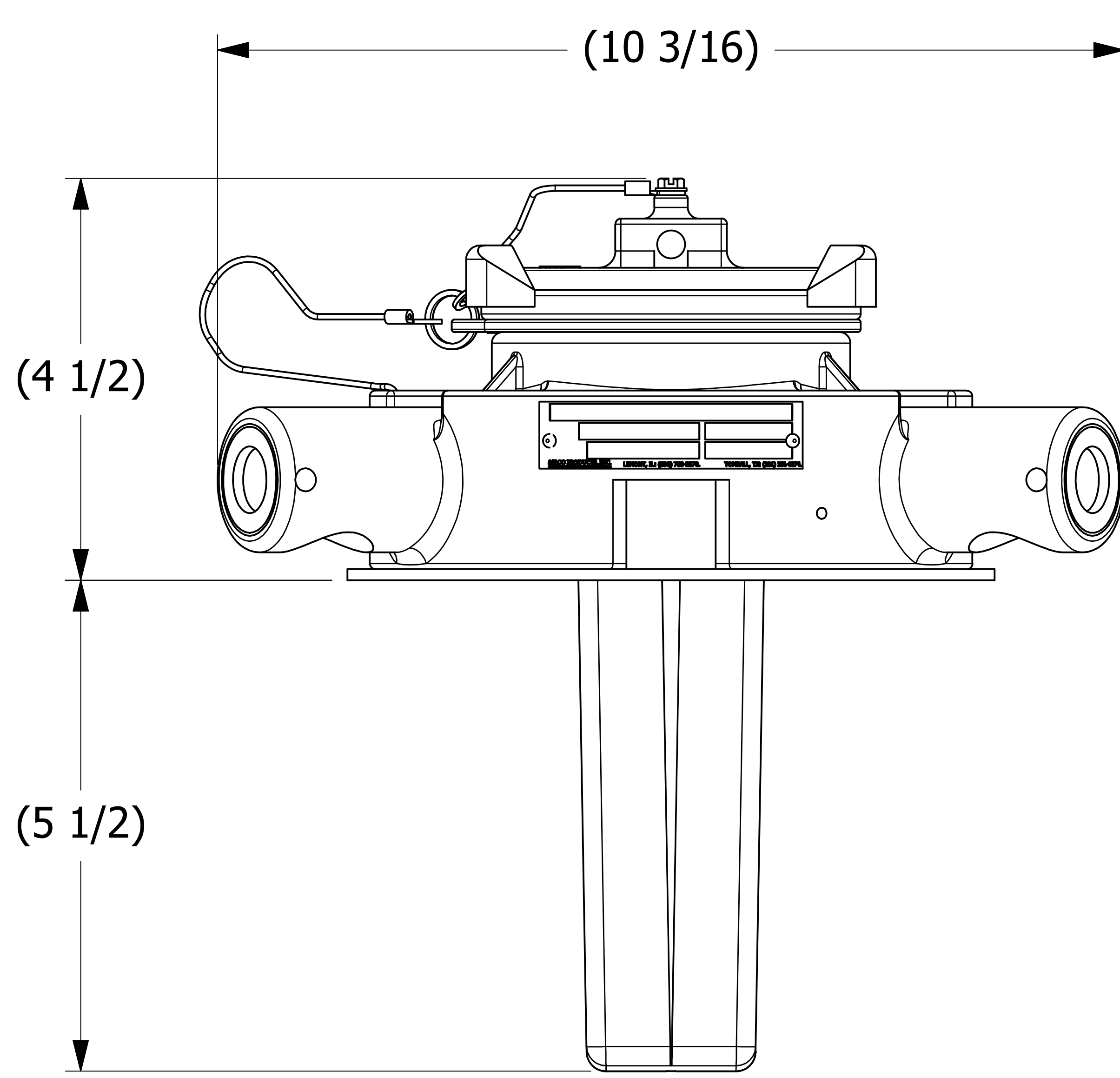
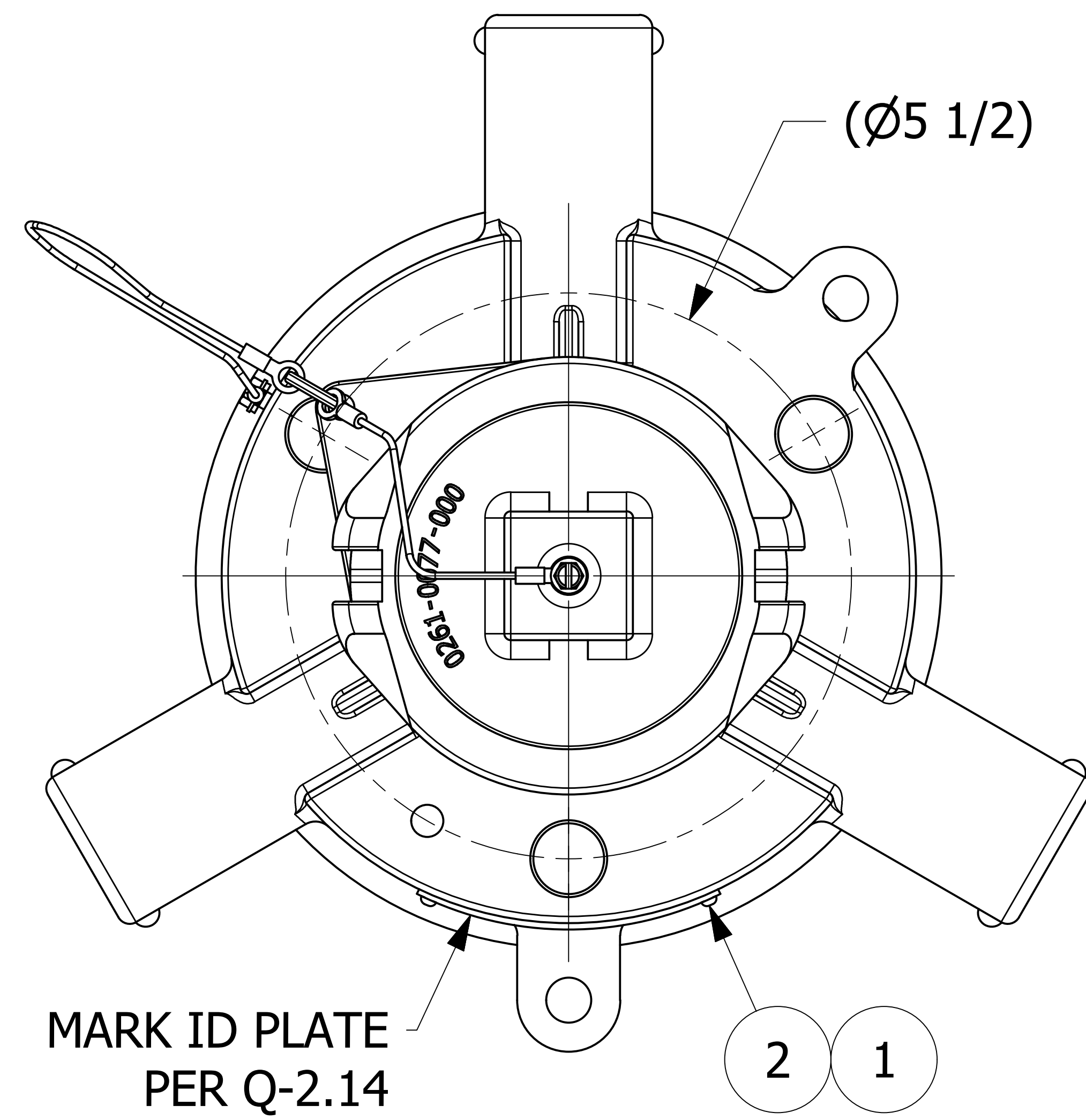


NO	PART NAME	PART#	REQ'D	MATERIAL
1	ID PLATE 3" X 3/4"	A15152	.5	ALUMINUM
2	DRIVE SCREW TYPE U #2 X 1/8"	DR218	2	18-8 SS
3	SURGE PROTECTOR	DSP3313R	1	RYTON
4	QUICK INSPECT FLANGE GASKET	FG55012	1	BLACK VITON® GF-600S
5	QUICK INSPECT SAFETY VENT	QI261BS7A	1	BLACK NORLYL
6	QI RETAINER GASKET	QI261G12	1	BLACK VITON® GF-600S
7	QI RUPTURE DISK GASKET	QI261RDG12	1	BLACK VITON® GF-600S
8	RUPTURE DISC (SOLD SEPARATELY)			



- NOTES:**
1. CUSTOMERS RESPONSIBILITY FOR COMPATIBILITY OF COMMODITY.
  2. AAR APPROVAL # PRD-162102.
  3. SEE DOCUMENT Q-2.14 FOR MARKING PROCEDURE.
  4. FASTEN ID PLATE WITH DRIVE SCREWS.

REV	BY	DATE	DESCRIPTION
E	CHL	10/17/19	REPLACED QAP5A-1 W/Q-2.14
D	JG	2/8/17	AAR APPROVAL # WAS SRD-063000
C	TAK	9/26/13	ADDED A15152 & DR218 TO BOM
B	KHK	9/4/13	UPDATED BOM GASKET MATERIAL, TITLEBLOCK
A	KHK	9/3/13	RELEASED FOR PRODUCTION

UNLESS OTHERWISE SPECIFIED DIMENSIONAL TOLERANCES FRACTIONAL: ±1/16	DRAWN BY:	KHK
X.XX: ±.03	CHECKED BY:	CHL
X.XXX: ±.015	PROTOTYPE DATE:	8/28/2013
ANGULAR: ±1°	APPROVED FOR PRODUCTION BY:	CHL
DEBURR ALL SHARP EDGES. ALL MACHINED SURFACES TO HAVE A 125 RMS FINISH UNLESS NOTED OTHERWISE.	PRODUCTION DATE:	9/3/2013
THIRD ANGLE PROJECTION	SIZE:	E
	DRAWING #:	37075

**SALCO PRODUCTS, INC.**

**QUICK INSPECT SAFETY VENT**

**SEE BOM**

PROJECT #: 130723FR1 SHEET #: 1 OF 1 SCALE: 1:1

**QI261R12A**