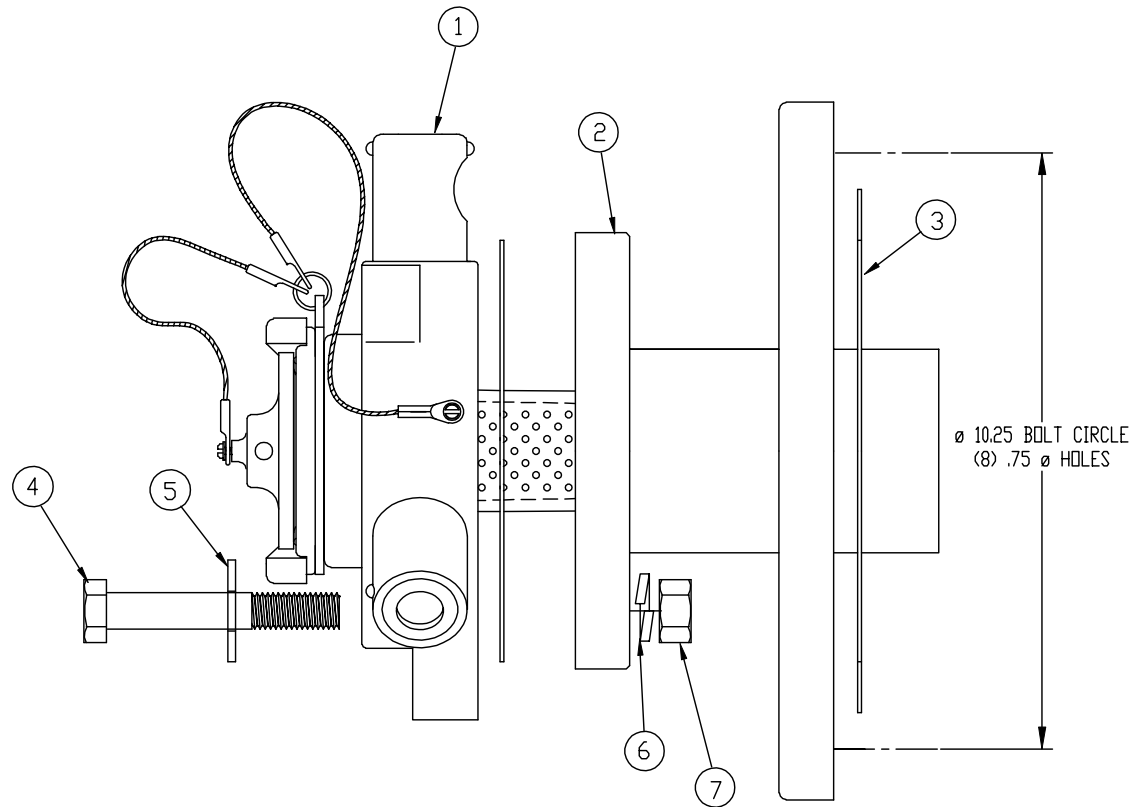


NOL	PART NAME	PART #	REQ'D	MATERIAL
1	SAFETY VENT HOUSING	QI2613A	1	SEE BDM
2	FLANGE ADAPTOR	QI1025F	1	316 SS
3	FLANGE GASKET	FG10E	1	BLACK EPDM
4	5/8"-11 X 4" HHCS	SV584FBS	3	18-8 SS
5	5/8" SAE PLAIN WASHER	SV58WS	3	18-8 SS
6	SPLIT LOCK WASHER	SV58SLW	3	18-8 SS
7	5/8"- 11 HEX NUT	SV58N	3	MATERIAL



GENERAL NOTES:

1. MOUNTING FLANGE TO AAR SPECIFICATION E11E.
2. APPROXIMATE TOTAL HEIGHT (BOTTOM OF FLANGE TO TOP OF QUICK INSPECT) = 9"
3. SURGE PROTECTOR MATERIAL IS WHITE NORYL
4. CUSTOM RESPONSIBILITY FOR COMPATABILITY OF COMODITY
5. RUPTURE DISC NOT INCLUDED.

H	CHL	10-29-08	REMOVED #8 & REPLACED FG10 W/FG10E
G	MRC	9/15/00	DRAWING WAS A CHART, DWG # WAS D8862
REV	BY	DATE	DESCRIPTION
UNLESS OTHERWISE SPECIFIED DIMENSIONAL TOLERANCES			SALCO PRODUCTS, INC. 2D
FRACTIONAL	±1/16	DRAWN BY: CLH	CHKD BY: [] SCALE: 1:1 APPROVAL DATE: 2/10/98
X.XX	±0.03	MATERIAL:	
X.XXX	±0.015	PART NAME: QUICK INSPECT SAFETY VENT HOUSING 10.25 MOUNTING FLANGE ASS. W/ BLACK EPDM GASKETS	
ANGULAR	±1°	PROJECT # 940801	PROTOTYPE AND DATE: [] APPROVED FOR PRODUCTION: []
THIRD ANGLE PROJECTION		DRAWING # D15003	PART # QIF10253A