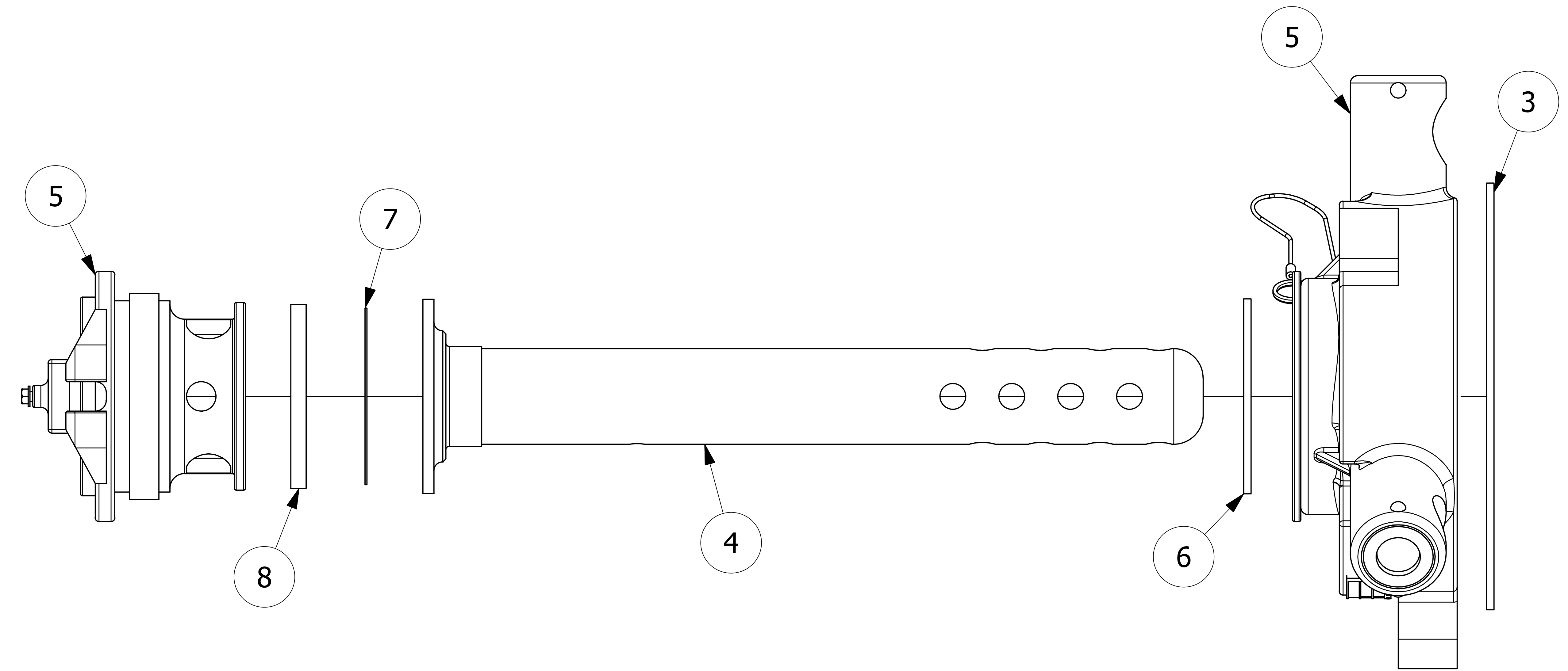
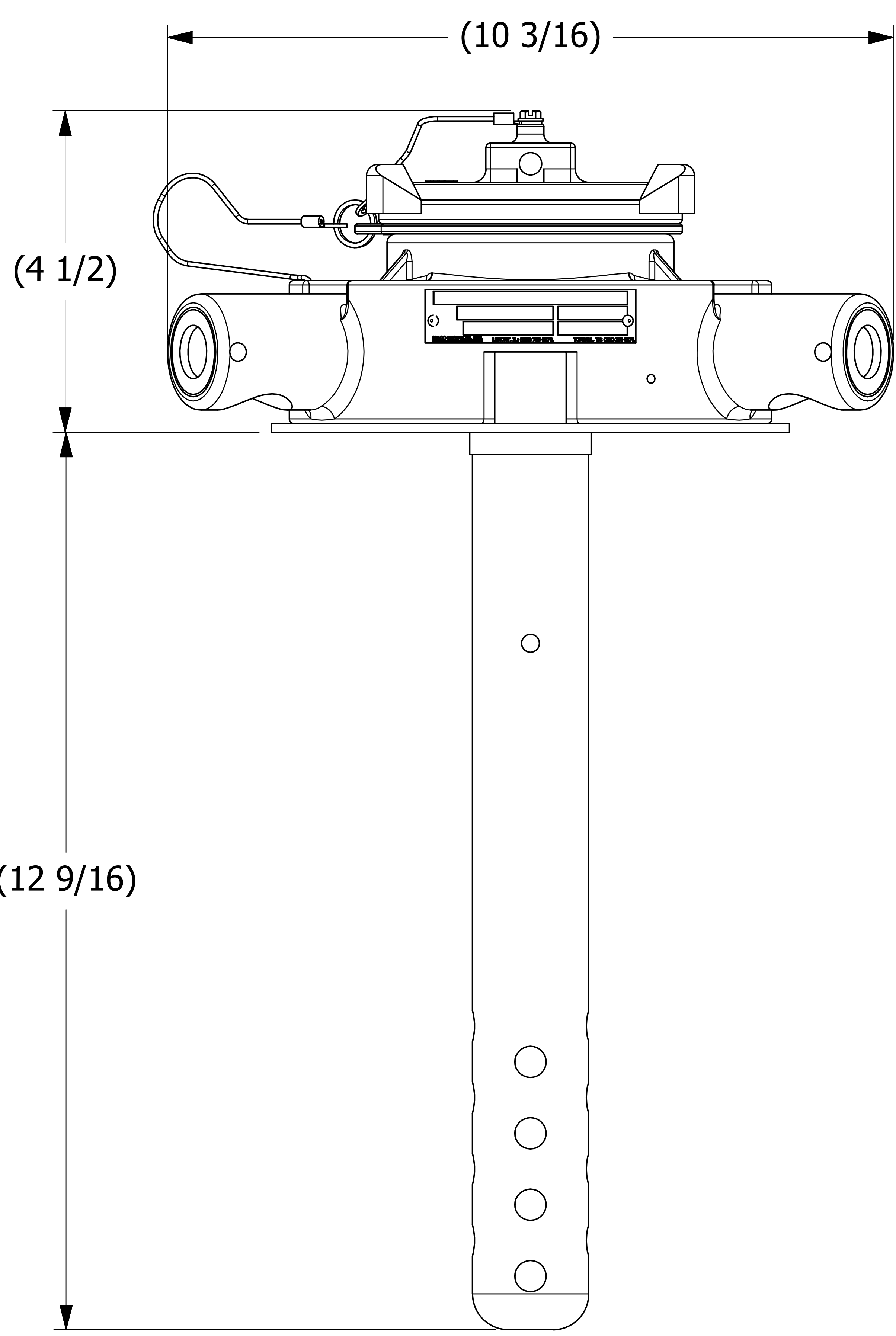
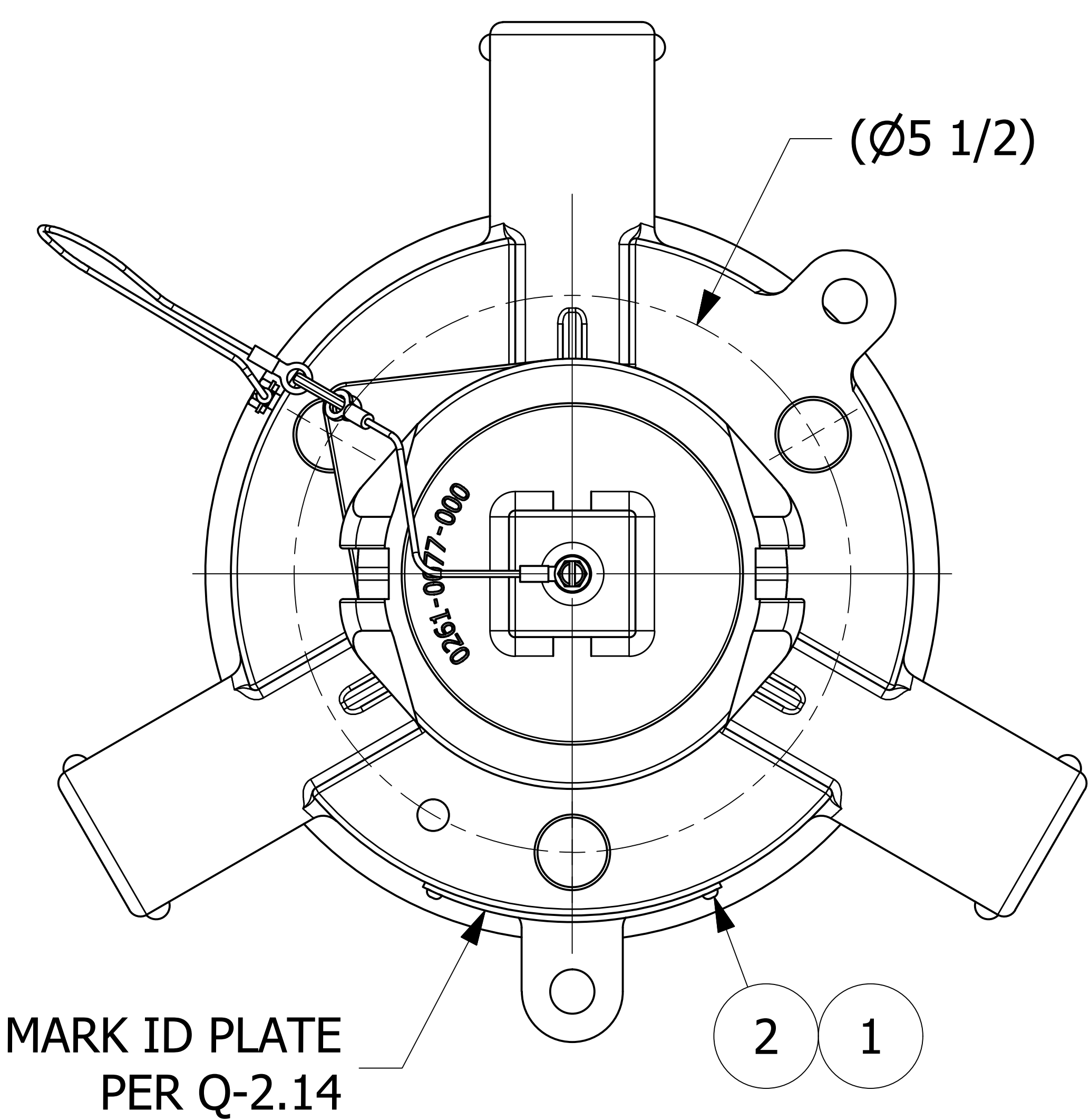


NO.	PART NAME	PART#	REQ'D	MATERIAL
1	ID PLATE 3" X 3/4"	A15152	.5	ALUMINUM
2	DRIVE SCREW TYPE U #2 X 1/8"	DR218	2	18-8 SS
3	QUICK INSPECT FLANGE GASKET	FG55019	1	BLACK NATURAL RUBBER
4	SURGE PROTECTOR	HSSPRD33	1	SALCO PE
5	QUICK INSPECT SAFETY VENT	QI261BSA	1	BLACK NORYL
6	QI RETAINER GASKET	QI261G19	1	BLACK NATURAL RUBBER
7	QI RUPTURE DISK GASKET	QI261RDG19	1	BLACK NATURAL RUBBER
8	RUPTURE DISC (SOLD SEPARATELY)			



- NOTES:
1. CUSTOMERS RESPONSIBILITY FOR COMPATIBILITY OF COMMODITY.
 2. AAR APPROVAL # PRD-162102.
 3. SEE DOCUMENT Q-2.14 FOR MARKING PROCEDURE.
 4. FASTEN ID PLATE WITH DRIVE SCREWS.

D	CHL	6/1/22	REPLACED QAP5A-1 W/Q-2.14
C	JG	2/7/17	AAR APPROVAL # WAS SRD-063000
B	TAK	9/4/13	ADDED A15152, DR218 & QAP5A-1 NOTE
A	SMA	8/10/11	NEW DRAWING ADDED TO SYSTEM
REV	BY	DATE	DESCRIPTION

UNLESS OTHERWISE SPECIFIED DIMENSIONAL TOLERANCES FRACTIONAL: ±1/16 X.XX: ±.03 X.XXX: ±.015 ANGULAR: ±1° DEBURR ALL SHARP EDGES. ALL MACHINED SURFACES TO HAVE A 125 RMS FINISH UNLESS NOTED OTHERWISE. THIRD ANGLE PROJECTION	DRAWN BY: CHL CHECKED BY: PJG PROTOTYPE DATE: 10/2/2009 APPROVED FOR PRODUCTION BY: PJG PRODUCTION DATE: 8/10/2011 SIZE: E DRAWING #: 27570
--	---

SALCO PRODUCTS, INC.

QUICK INSPECT SAFETY VENT

SEE BOM

PROJECT #: WAG0736 SHEET #: 1 OF 1 SCALE: 1 : 1

PART #: **QI261HSP19A**