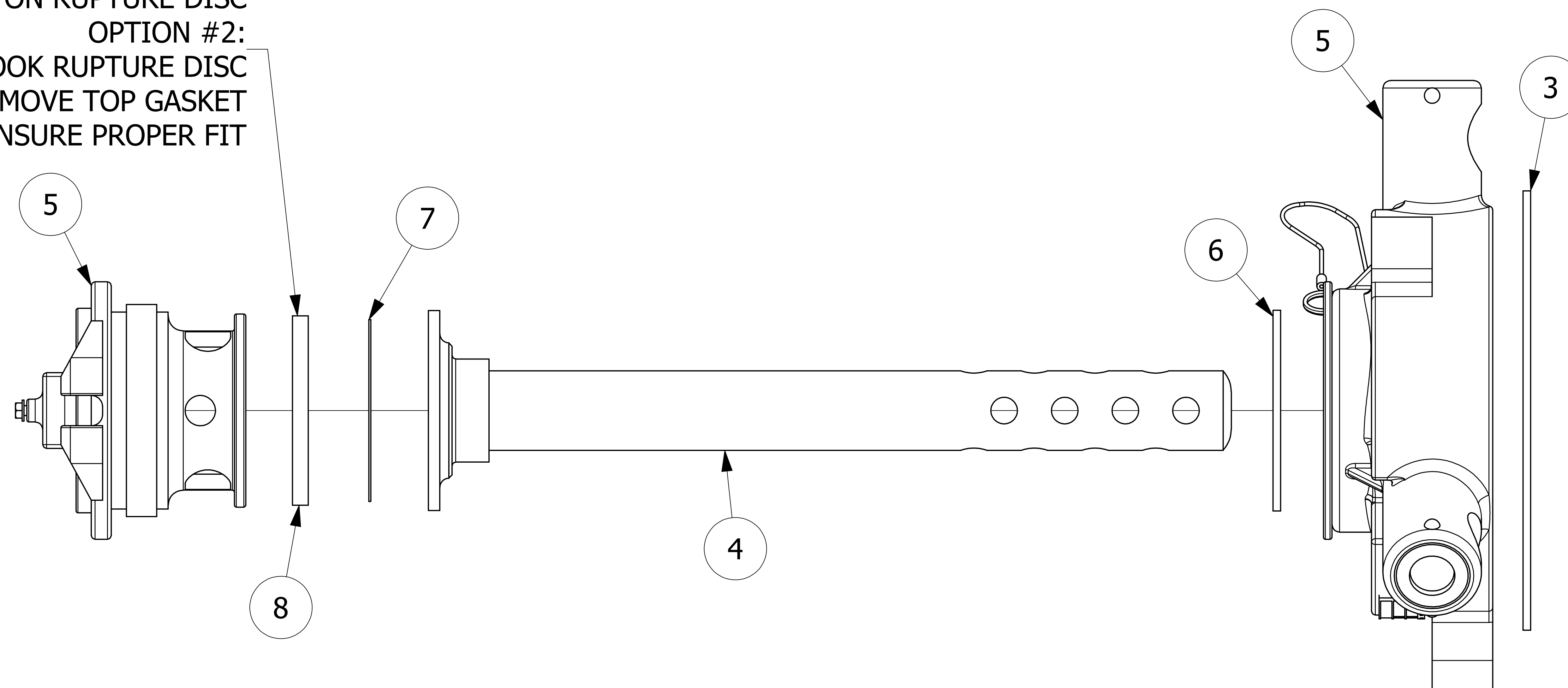


OPTION #1:
RYTON RUPTURE DISC
OPTION #2:
ZOOK RUPTURE DISC
REMOVE TOP GASKET
TO ENSURE PROPER FIT



NO	PART NAME	PART#	REQ'D	MATERIAL
1	ID PLATE 3" X 3/4"	A15152	.5	ALUMINUM
2	DRIVE SCREW TYPE U #2 X 1/8"	DR218	2	18-8 SS
3	QUICK INSPECT FLANGE GASKET	FG5501	1	BLACK NITRILE
4	SURGE PROTECTOR	HSSPRD33MT	1	SALCO PE
5	QUICK INSPECT SAFETY VENT	QI261BSA	1	BLACK NORYL
6	QI RETAINER GASKET	QI261G1	1	BLACK NITRILE
7	QI RUPTURE DISK GASKET	QI261RDG1	1	BLACK NITRILE
8	RUPTURE DISC (SOLD SEPARATLEY)			

NOTES:

1. CUSTOMERS RESPONSIBILITY FOR COMPATIBILITY OF COMMODITY.
2. AAR APPROVAL # PRD-162102.
3. SEE DOCUMENT QAP5A-1 FOR MARKING PROCEDURE.
4. FASTEN ID PLATE WITH DRIVE SCREWS.

B	JG	2-7-17	AAR APPROVAL # WAS SRD-063000
A	TAK	9-4-13	RELEASED FOR PRODUCTION
REV	BY	DATE	DESCRIPTION

UNLESS OTHERWISE SPECIFIED DIMENSIONAL TOLERANCES FRACTIONAL: ±1/16 X.XX: ±.03 X.XXX: ±.015 ANGULAR: ±1° DEBURR ALL SHARP EDGES. ALL MACHINED SURFACES TO HAVE A 125 RMS FINISH UNLESS NOTED OTHERWISE.	DRAWN BY: CHL
	CHECKED BY: PJG
	PROTOTYPE BY: CHL
	PROTOTYPE DATE: 1/22/2008
	APPROVED FOR PRODUCTION BY: WRB
THIRD ANGLE PROJECTION	PRODUCTION DATE: 9/4/2013

SALCO PRODUCTS, INC.

QUICK INSPECT SAFETY VENT

MATERIAL: **SEE BOM**

PROJECT #: **WAG507** SHEET #: **1 OF 1** SCALE: **1:1**

DRAWING #: **E24649** PART #: **QI261HSPM01A**