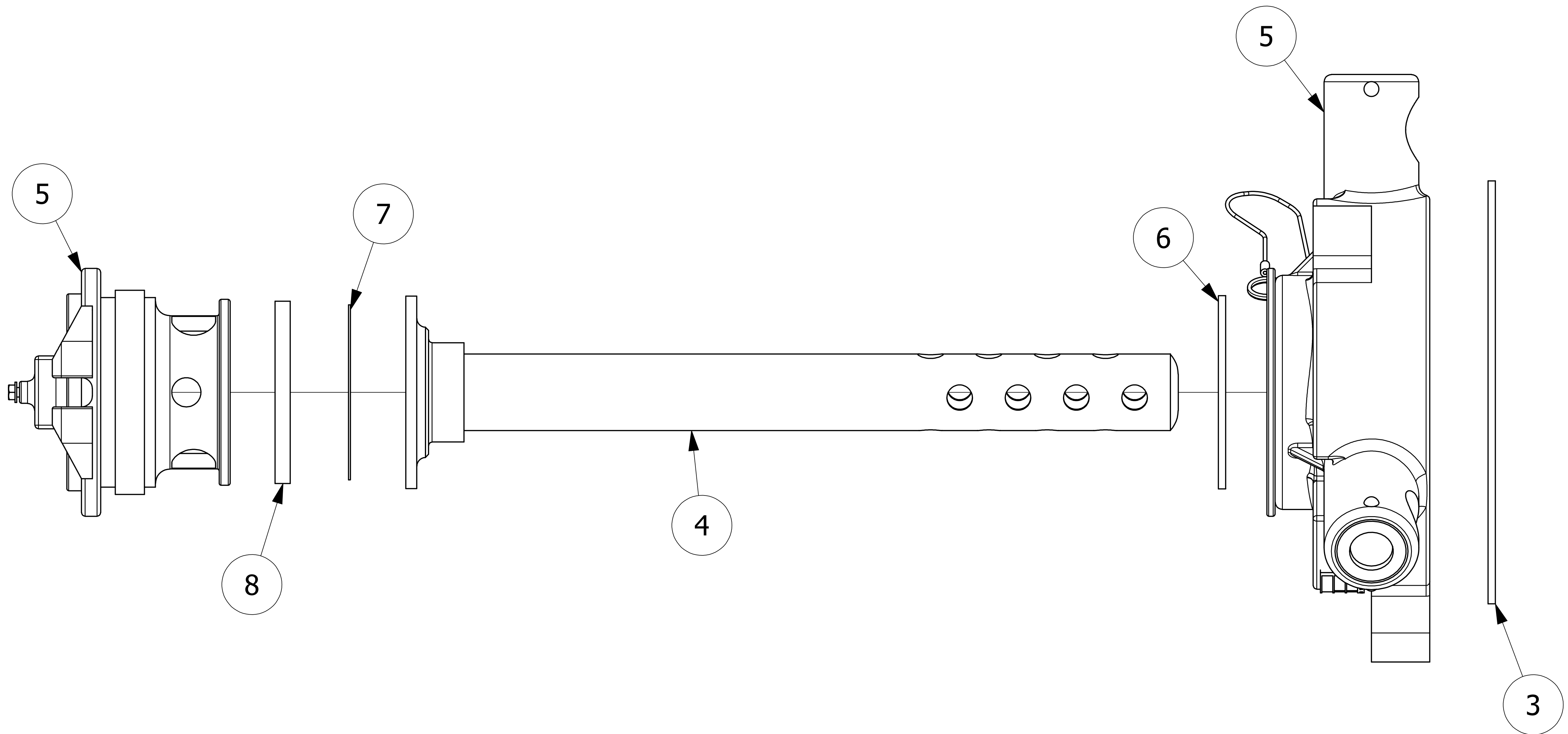
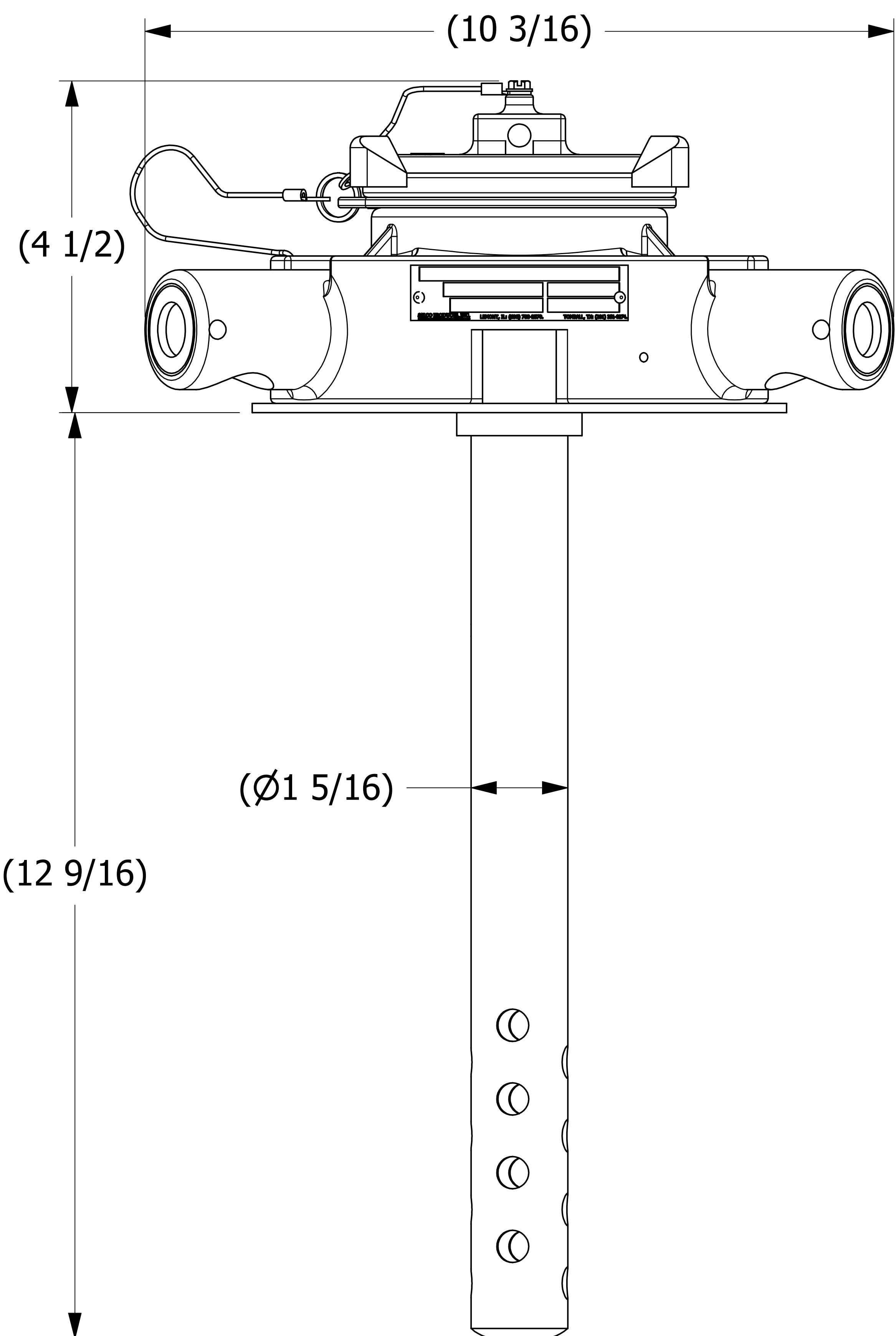
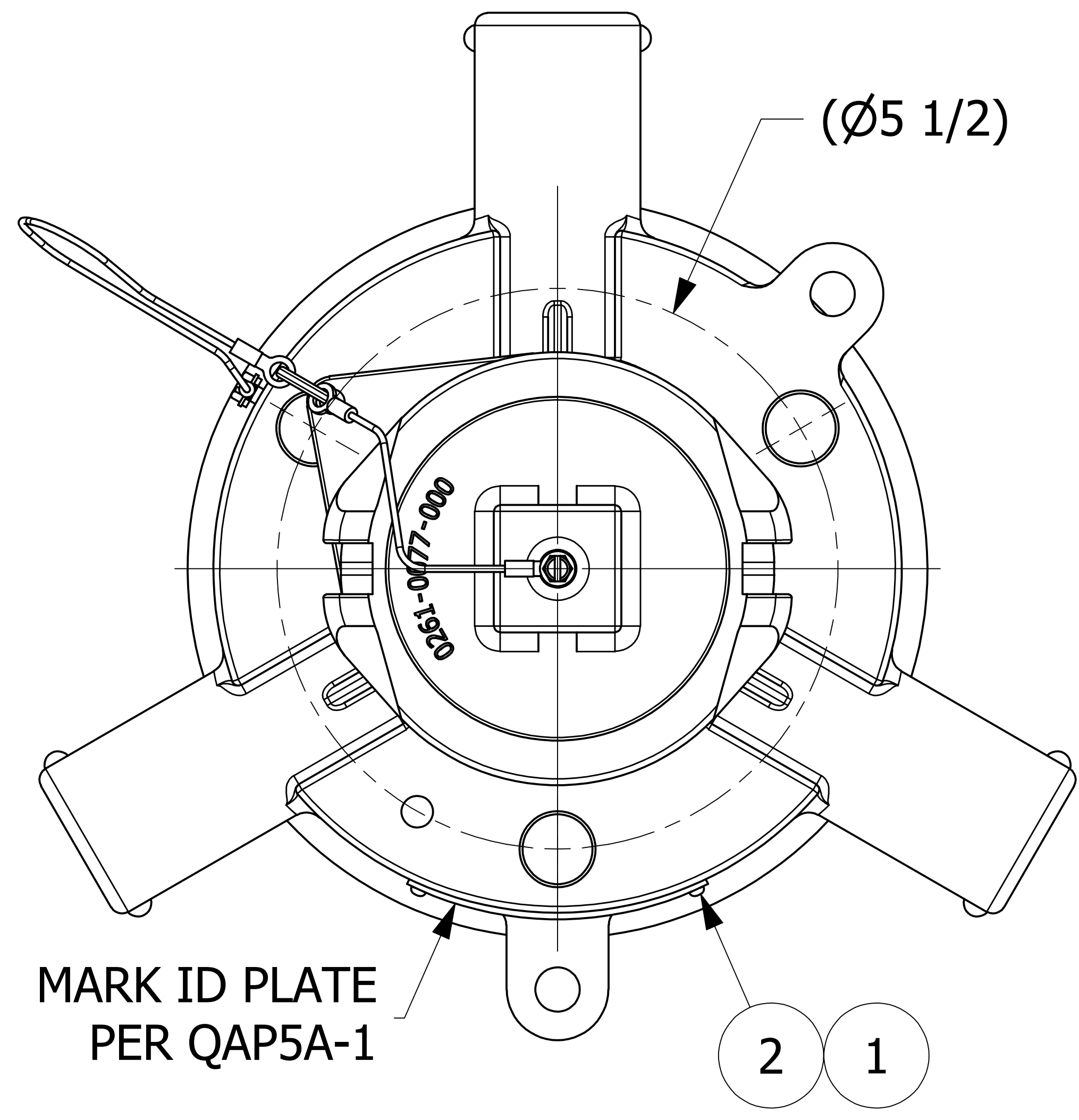


NO	PART NAME	PART#	REQ'D	MATERIAL
1	ID PLATE 3" X 3/4"	A15152	.5	ALUMINUM
2	DRIVE SCREW TYPE U #2 X 1/8"	DR218	2	18-8 SS
3	QUICK INSPECT FLANGE GASKET	FG550E	1	BLACK EPDM SC
4	SURGE PROTECTOR	HSSPRD33MT	1	SALCO PE
5	QUICK INSPECT SAFETY VENT	QI261BSA	1	BLACK NORYL
6	QI RETAINER GASKET	QI261G3	1	BLACK EPDM SC
7	QI RUPTURE DISK GASKET	QI261RDG3	1	BLACK EPDM SC
8	RUPTURE DISC (SOLD SEPARATELY)			



- NOTES:
1. CUSTOMERS RESPONSIBILITY FOR COMPATIBILITY OF COMMODITY.
  2. AAR APPROVAL # PRD-162102.
  3. SEE DOCUMENT QAP5A-1 FOR MARKING PROCEDURE.
  4. FASTEN ID PLATE WITH DRIVE SCREWS.

REV	BY	DATE	DESCRIPTION
D	JG	2-8-17	AAR APPROVAL # WAS SRD-063000
C	TAK	9-5-13	ADDED A15152, DR218 & QAP5A-1 NOTE
B	AJB	12-28-06	CHANGED AAR APPROVAL NO.
A	CHL	9-16-06	NEW PART ADDED TO SYSTEM

<small>UNLESS OTHERWISE SPECIFIED DIMENSIONAL TOLERANCES</small> FRACTIONAL: ±1/16 X.XX: ±.03 X.XXX: ±.015 ANGULAR: ±1° <small>DEBURR ALL SHARP EDGES. ALL MACHINED SURFACES TO HAVE A 125 RMS FINISH UNLESS NOTED OTHERWISE.</small> THIRD ANGLE PROJECTION	DRAWN BY:	CHL
	CHECKED BY:	ACC
	PROTOTYPE BY:	CHL
	PROTOTYPE DATE:	4/11/2006
	APPROVED FOR PRODUCTION BY:	ACC
	PRODUCTION DATE:	9/16/2006

**SALCO PRODUCTS, INC.**

**QUICK INSPECT SAFETY VENT**

MATERIAL: **SEE BOM**

PROJECT #: \_\_\_\_\_ SHEET #: **1 OF 1** SCALE: **1:1**

DRAWING #: **E21809** PART #: **QI261HSPM03A**