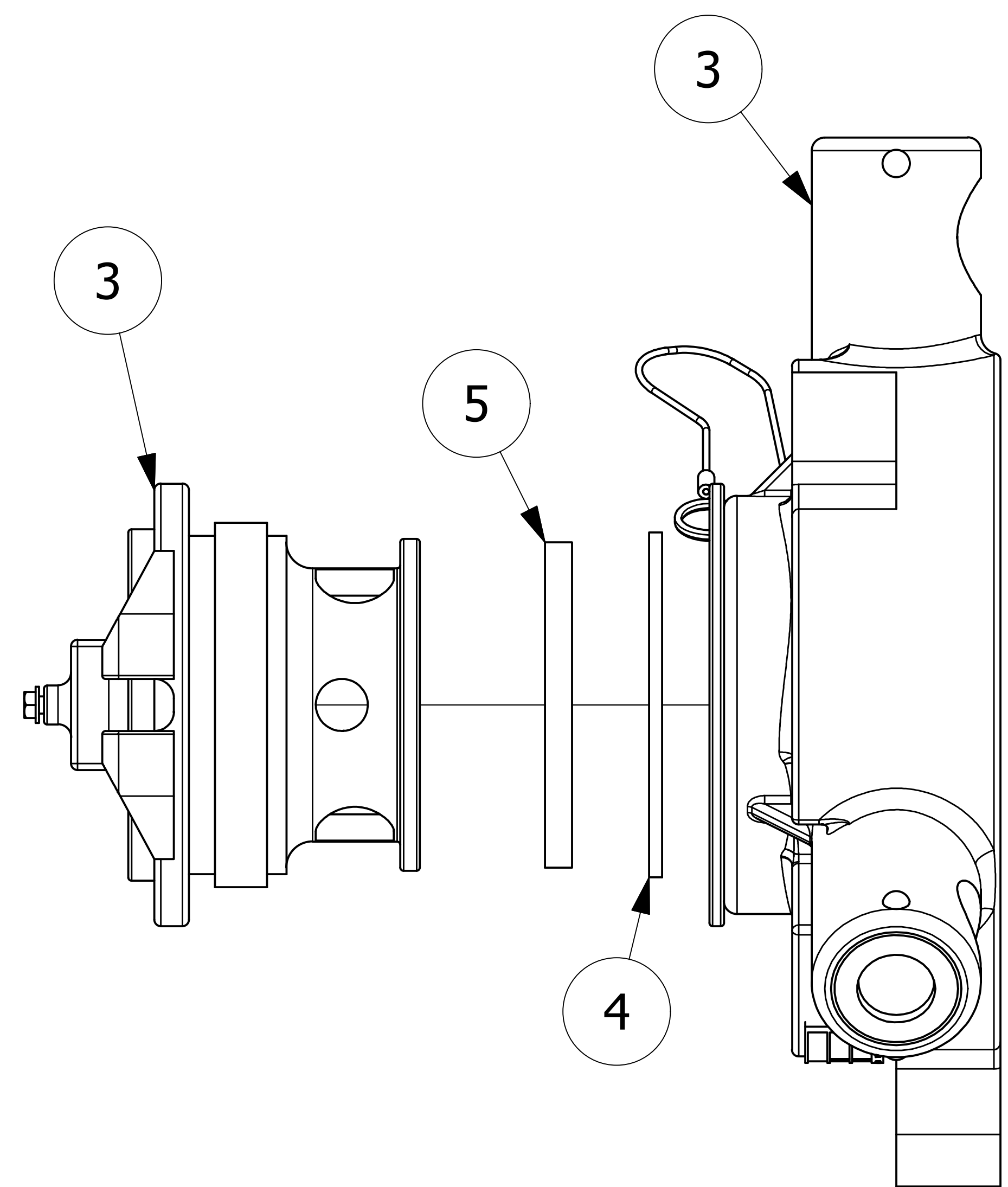
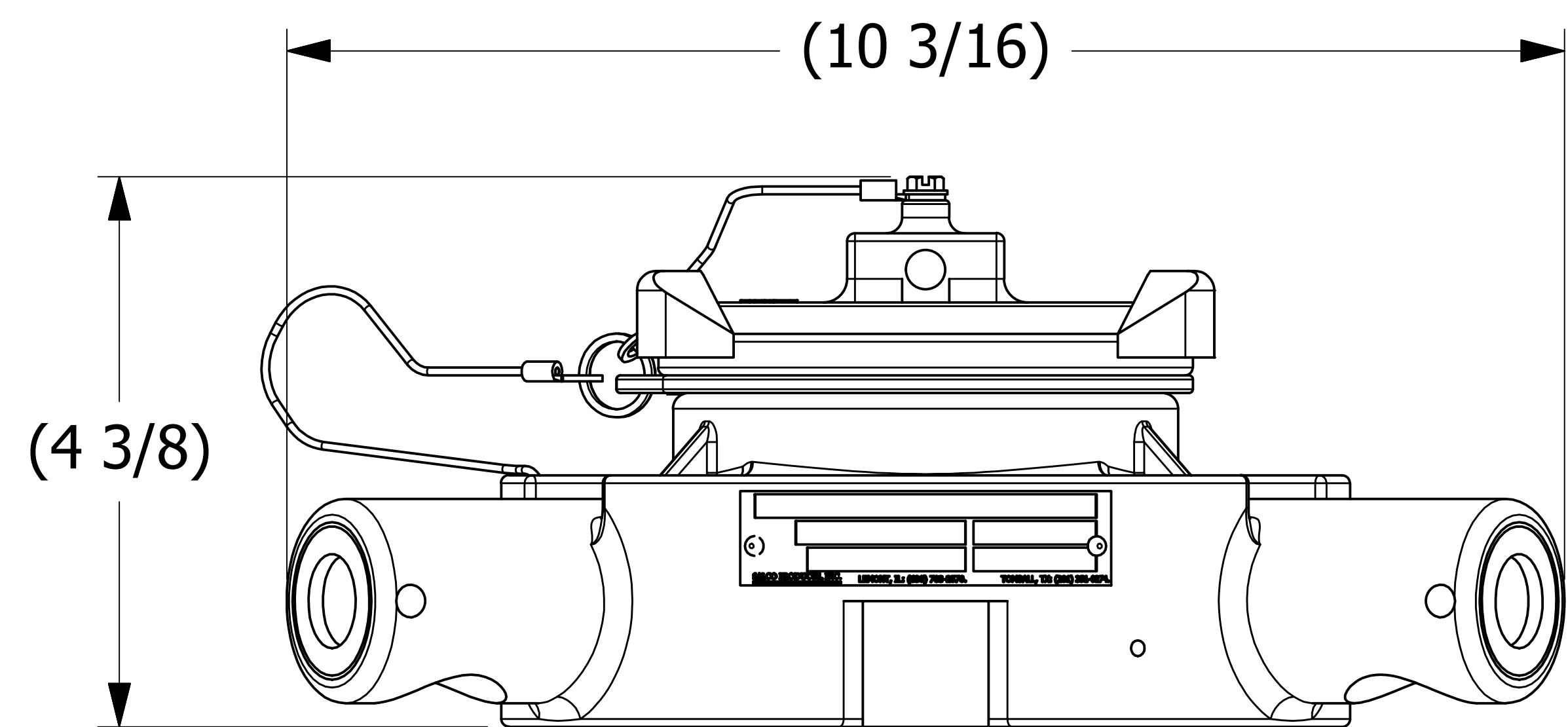
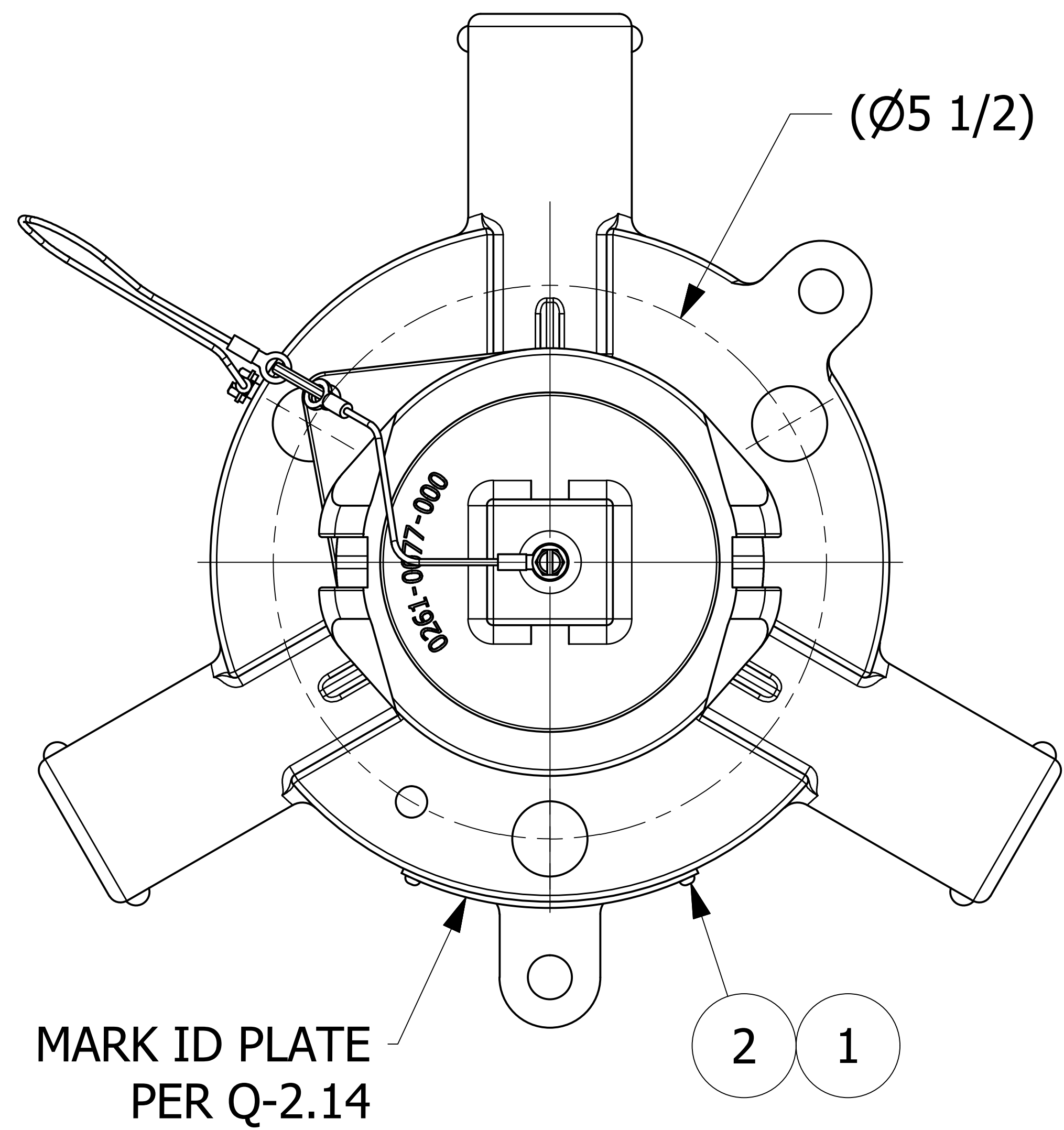


NO	PART NAME	PART#	REQ'D	MATERIAL
1	ID PLATE 3" X 3/4"	A15152	.5	ALUMINUM
2	DRIVE SCREW TYPE U #2 X 1/8"	DR218	2	18-8 SS
3	QUICK INSPECT SAFETY VENT	QI261BSA	1	BLACK NORYL
4	QI RETAINER GASKET	QI261G12	1	BLACK VITON® GF-600S
5	RUPTURE DISC (SOLD SEPARATELY)			



- NOTES:
1. CUSTOMERS RESPONSIBILITY FOR COMPATIBILITY OF COMMODITY.
 2. AAR APPROVAL # PRD-162102.
 3. THIS UNIT IS TO BE USED ON RUBBER LINED FLANGES ONLY.
 4. SEE DOCUMENT Q-2.14 FOR MARKING PROCEDURE.
 5. FASTEN ID PLATE WITH DRIVE SCREWS.

REV	BY	DATE	DESCRIPTION
E	BP	12/14/22	UPDATED DRAWING BY REPLACING QAP5A-1 NOTE WITH Q-2.14
D	JG	2/7/17	AAR APPROVAL # WAS SRD-063000
C	TAK	9/10/13	ADDED A15152, DR218 & QAP5A-1 NOTE
B	REH	7/9/10	PART # WAS QI261NSPR12A
A	AJB	12/28/06	CHANGED AAR APPROVAL NO.

UNLESS OTHERWISE SPECIFIED DIMENSIONAL TOLERANCES FRACTIONAL: ±1/16	DRAWN BY:	ACC
X.XX: ±.03	CHECKED BY:	
X.XXX: ±.015	PROTOTYPE DATE:	12/11/2003
ANGULAR: ±1°	APPROVED FOR PRODUCTION BY:	ACC
DEBURR ALL SHARP EDGES. ALL MACHINED SURFACES TO HAVE A 125 RMS FINISH UNLESS NOTED OTHERWISE.	PRODUCTION DATE:	12/11/2003
THIRD ANGLE PROJECTION	SIZE:	E
	DRAWING #:	18481

SALCO PRODUCTS, INC.

QUICK INSPECT SAFETY VENT

SEE BOM

PROJECT #: **WAG0084** SHEET #: **1 OF 1** SCALE: **1 : 1**

QI261NSPR12LA