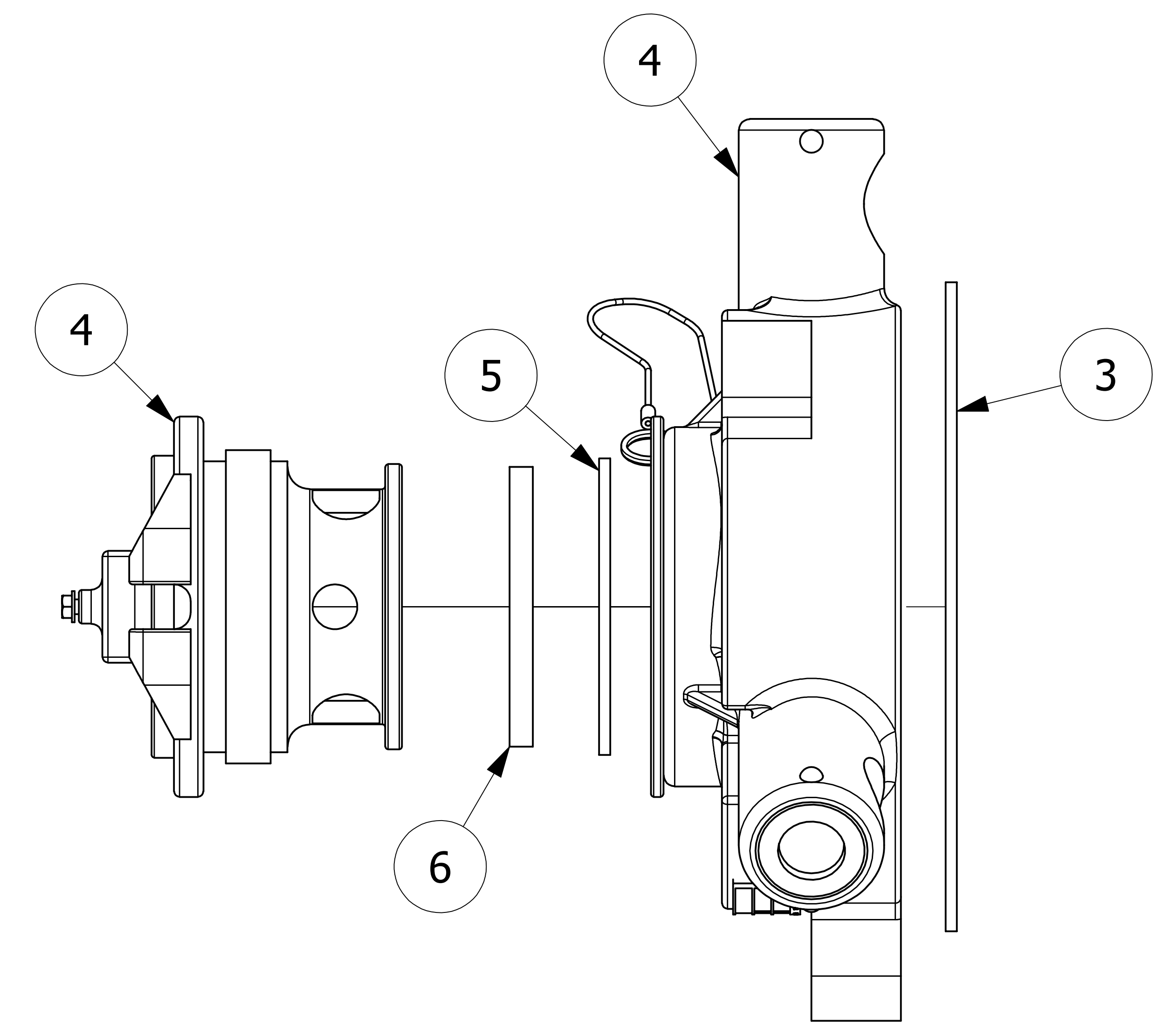
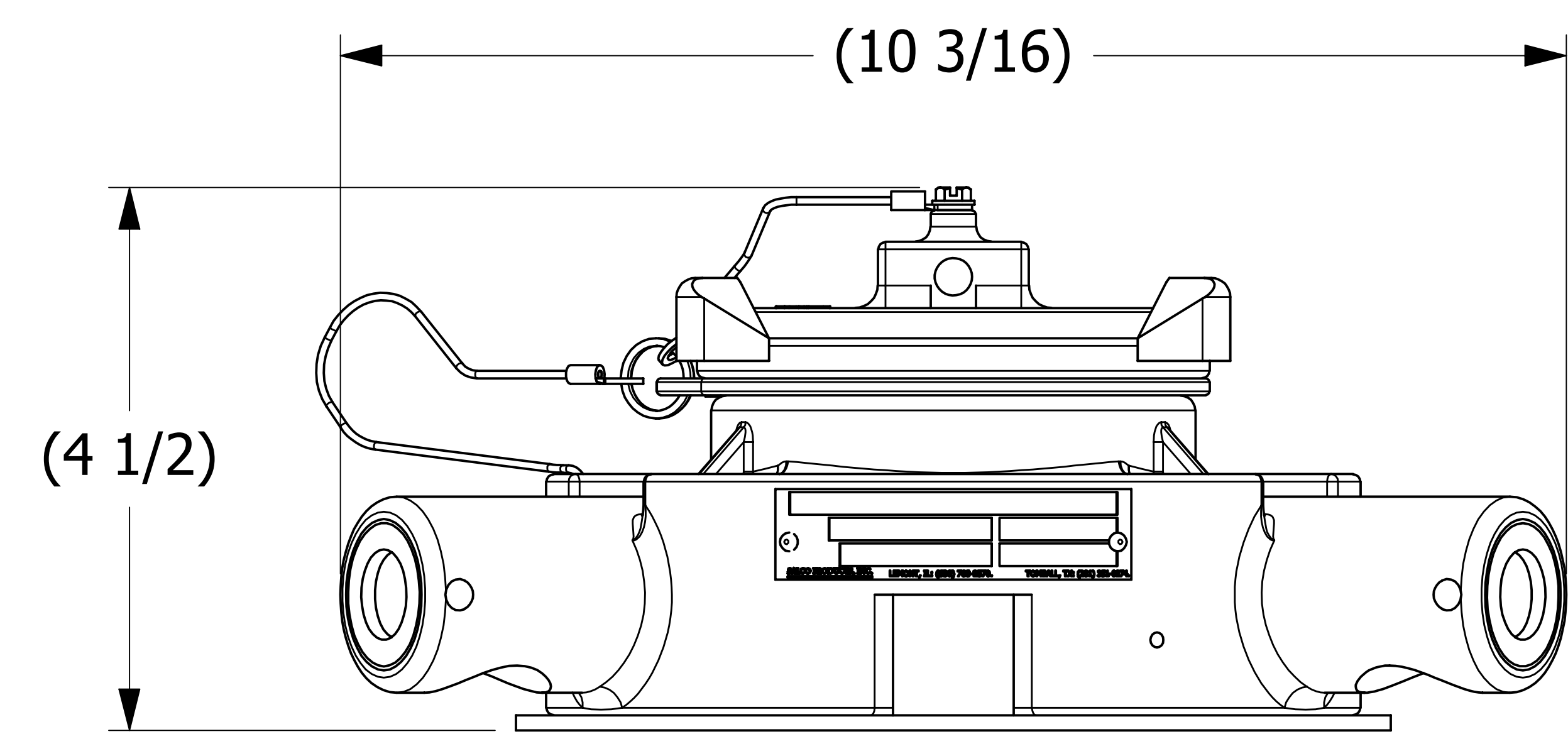
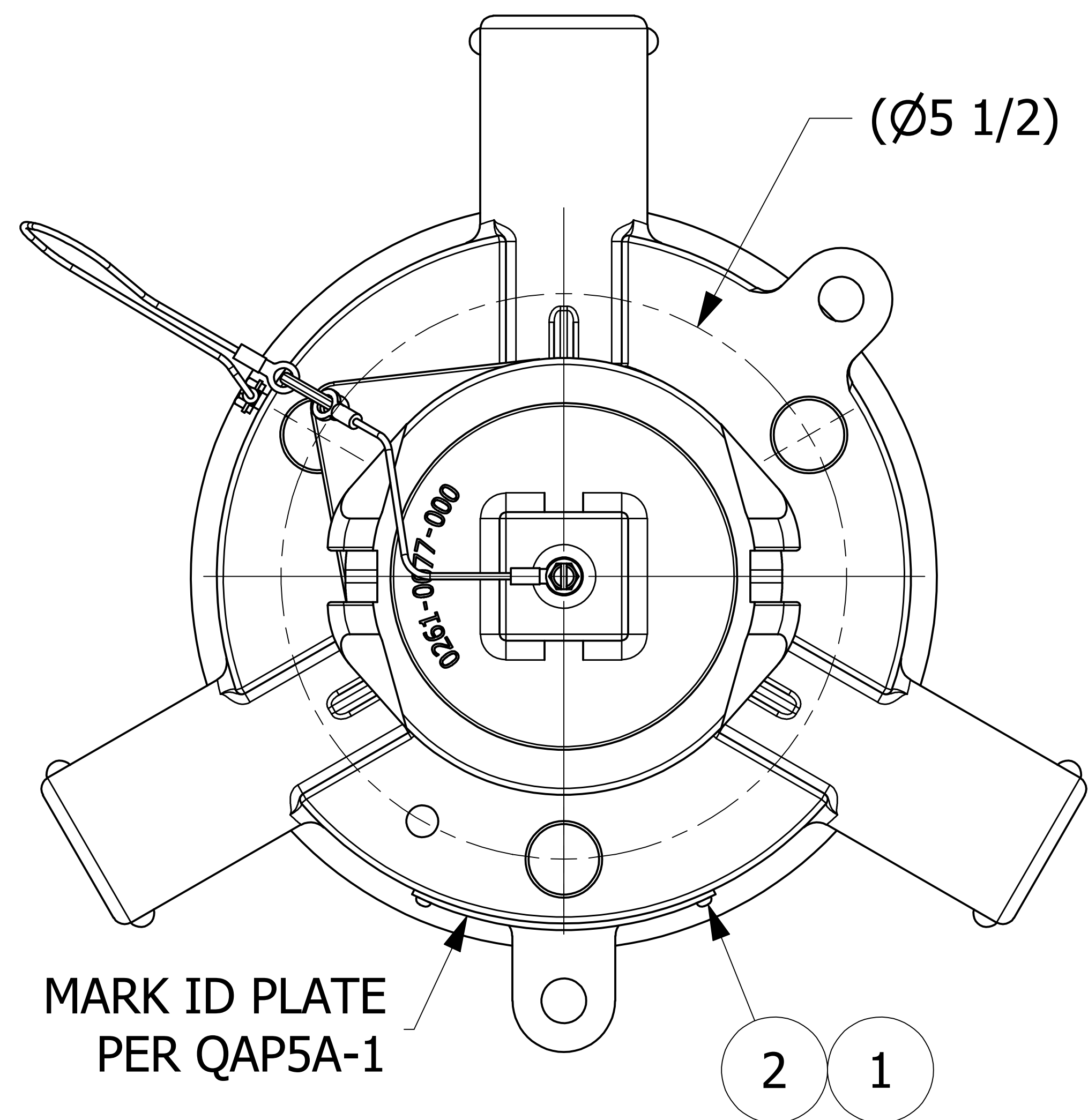


NO	PART NAME	PART#	REQ'D	MATERIAL
1	ID PLATE 3" X 3/4"	A15152	.5	ALUMINUM
2	DRIVE SCREW TYPE U #2 X 1/8"	DR218	2	18-8 SS
3	QUICK INSPECT FLANGE GASKET	FG55019	1	BLACK NATURAL RUBBER
4	QUICK INSPECT SAFETY VENT	QI261BSA	1	BLACK NORYL
5	QI RETAINER GASKET	QI261G19	1	BLACK NATURAL RUBBER
6	RUPTURE DISC (SOLD SEPARATELY)			



**NOTES:**

1. CUSTOMERS RESPONSIBILITY FOR COMPATIBILITY OF COMMODITY.
2. AAR APPROVAL # PRD-162102.
3. SEE DOCUMENT QAP5A-1 FOR MARKING PROCEDURE.
4. FASTEN ID PLATE WITH DRIVE SCREWS.

D	JG	2-7-17	AAR APPROVAL # WAS SRD-063000
C	TAK	9-10-13	ADDED A15152, DR218 & QAP5A-1 NOTE
B	AJB	12-28-06	CHANGED AAR APPROVAL NO.
A	CHL	1-9-02	NEW PART ADDED TO SYSTEM
REV	BY	DATE	DESCRIPTION

UNLESS OTHERWISE SPECIFIED DIMENSIONAL TOLERANCES FRACTIONAL: ±1/16 X.XX: ±.03 X.XXX: ±.015 ANGULAR: ±1° DEBURR ALL SHARP EDGES. ALL MACHINED SURFACES TO HAVE A 125 RMS FINISH UNLESS NOTED OTHERWISE. THIRD ANGLE PROJECTION	DRAWN BY:	CHL
	CHECKED BY:	ACC
	PROTOTYPE BY:	CHL
	PROTOTYPE DATE:	1/8/2002
	APPROVED FOR PRODUCTION BY:	ACC
	PRODUCTION DATE:	1/9/2002

**SALCO PRODUCTS, INC.**

**QUICK INSPECT SAFETY VENT**

MATERIAL: **SEE BOM**

PROJECT #: **011203** SHEET #: **1 OF 1** SCALE: **1:1**

DRAWING #: **E16583** PART #: **QI261NSPR19A**