

APPLICATION FOR RENEWAL OF APPROVAL FOR PRESSURE RELIEF DEVICES, VALVES, CLOSURES, AND FITTINGS

1. AAR APPROVAL No. E202139
 2. Date of Application 10/01/2019
 3. Previous AAR Approval E-099016
4. Applicant: Salco Products Inc.
 5. Address: 1385 101st Street, Suite A, Lemont IL 60439
 6. Drawing No. C49419 7. Latest rev. A 8. Date of latest rev. 10/01/2019
 9. Description of device: Surge Protector 10. Device ID No. DSP3313X

CERTIFICATION: The subject device is **unchanged** from the previous approval, and conforms with the latest revision of AAR Specifications for Tank Cars, Appendix A. The device conforms with drawing listed above.

11. By: _____ Title: _____

If device is **changed** since latest approval, fill in the following blanks

12. Reference Previous Drawing	New Drawing	If on Service Trial
No. <u>DSP3313</u> Rev. <u>L</u> Date <u>3/4/11</u>	No. <u>DSP3313X</u> Rev. <u>A</u> Date <u>10/01/2019</u>	S.T. No. _____
No. _____ Rev. _____ Date _____	No. _____ Rev. _____ Date _____	S.T. No. _____
No. _____ Rev. _____ Date _____	No. _____ Rev. _____ Date _____	S.T. No. _____

13. New drawing supersedes previous one or does not obsolete it

CHANGES

REASONS FOR CHANGES

- | | |
|--|--|
| 14. a. <u>New Drawing Number</u>
b. _____
c. _____
d. _____
(if needed use supplemental sheet) | a. <u>Reorganized old drawing into a new chart</u>
b. <u>drawing.</u>
c. _____
d. _____ |
|--|--|

15. Normal operational effect of changes of device: None - This is a clerical update the the drawing structure.

16. Drawing submitted with this application: DSP3313X

CERTIFICATION: The above data is correct and conforms with AAR Specifications for Tank Cars, Appendix A. The device conforms with drawing listed above.

17. By: _____ Title: _____

APPROVAL AAR Tank Car Committee:

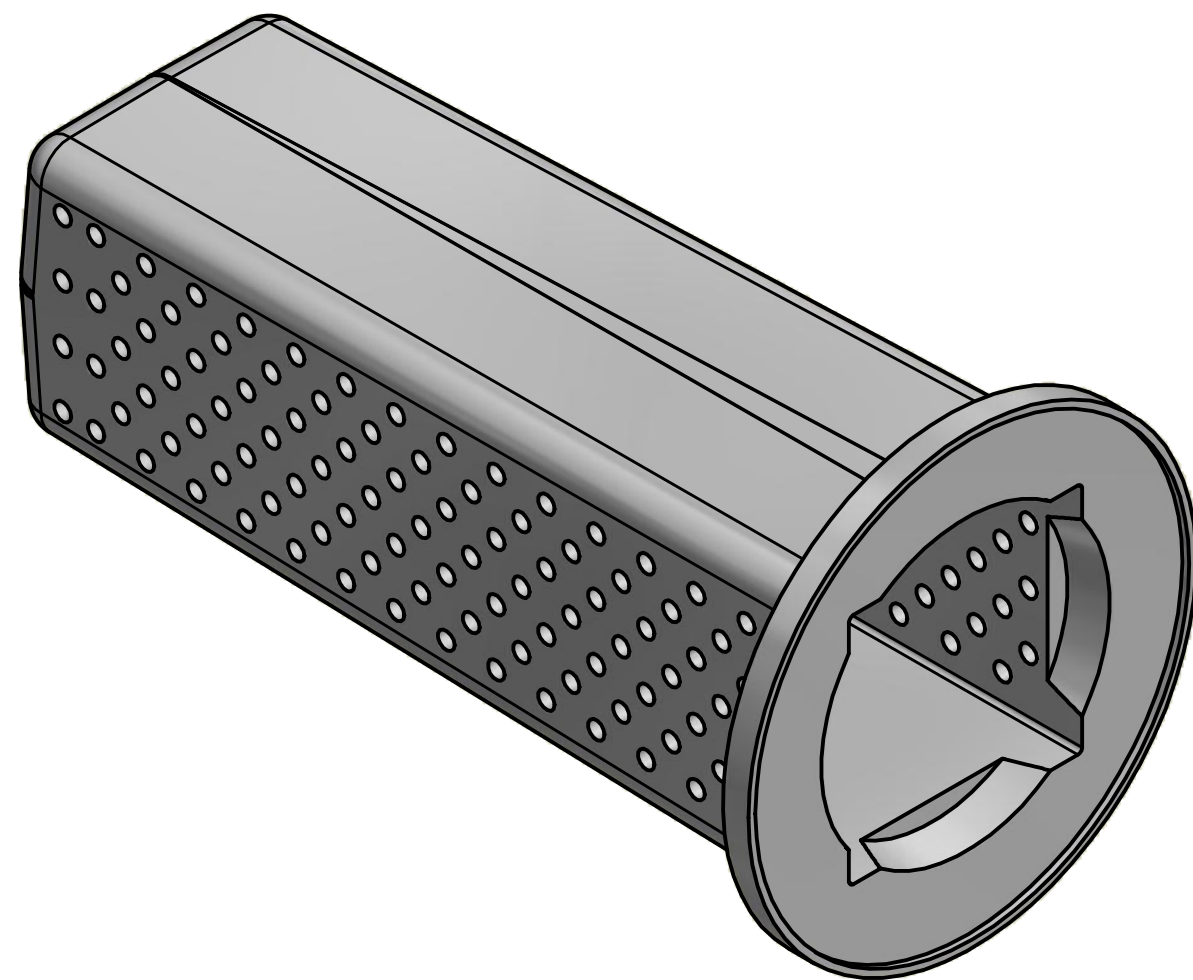
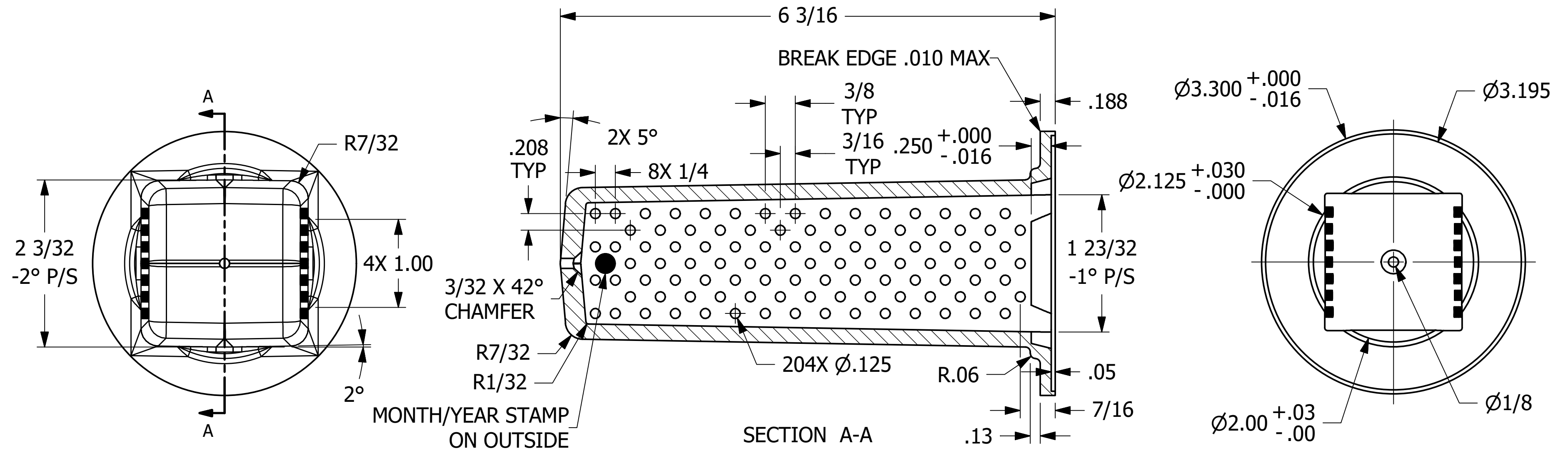
Date Approved: 8/10/2020



(Signature) on behalf of Committee

NOTES:

1. PROCEDURE Q-2.15.15 MUST BE FOLLOWED.
2. AAR APPROVAL NUMBER E-202139

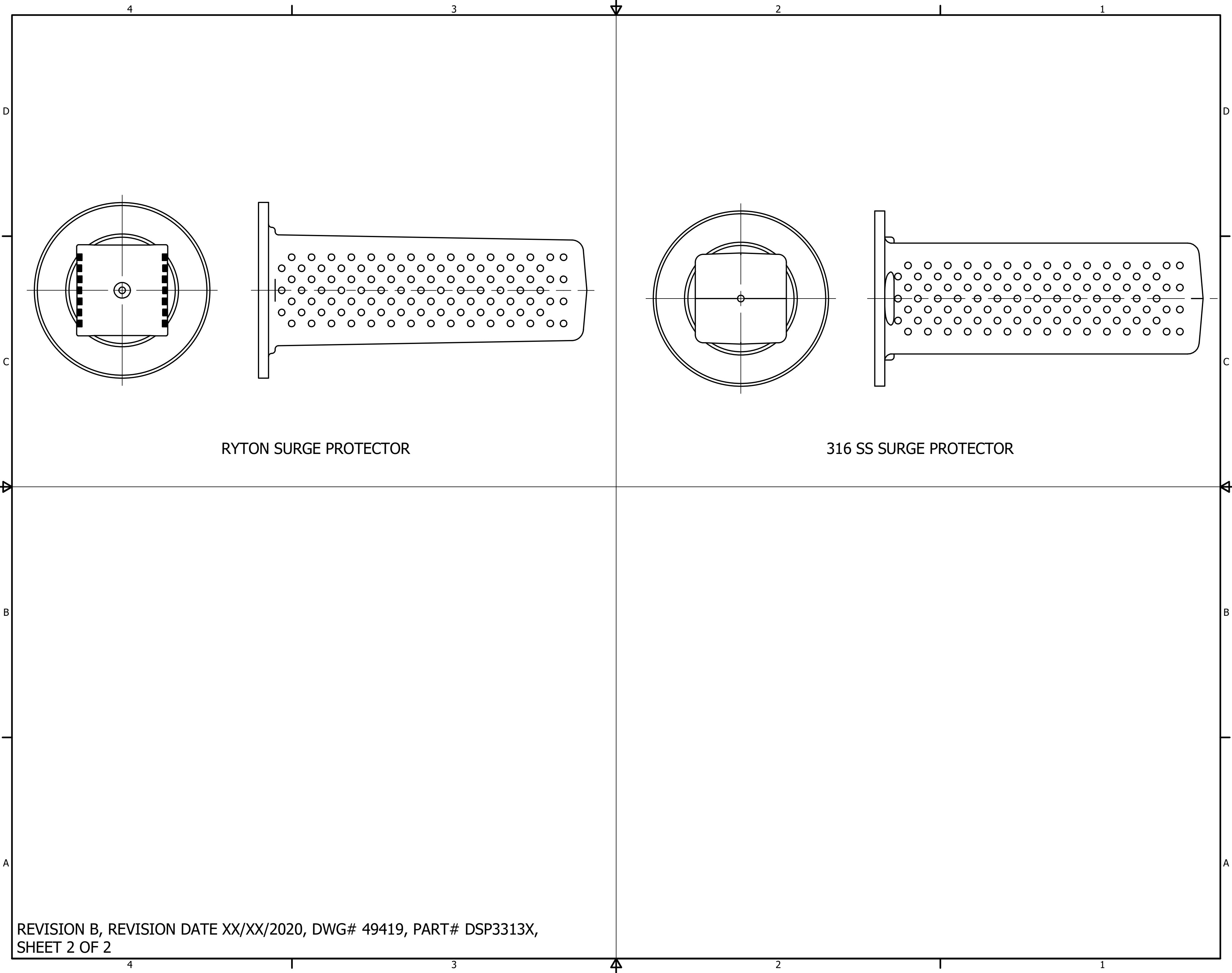


ISOMETRIC VIEW

B			AAR APPROVAL # WAS E-099016, UPDATED
A	CHL	10/1/19	RELEASED FOR PRODUCTION
REV	BY	DATE	DESCRIPTION

UNLESS OTHERWISE SPECIFIED DIMENSIONAL TOLERANCES FRACTIONAL: ±1/16 X.XX: ±.03 X.XXX: ±.015 ANGLE: ±1° DEBURR ALL SHARP EDGES. ALL MACHINED SURFACES TO HAVE A 125 RMS FINISH UNLESS NOTED OTHERWISE	DRAWN BY: CHL
	CHECKED BY: WRB
	PROTOTYPE DATE: 8/28/2019
	APPROVED FOR PRODUCTION BY: WRB
	PRODUCTION DATE: 10/1/2019
	SIZE: C
	DRAWING #: 49419

SALCO PRODUCTS, INC.		
PART NAME: SURGE PROTECTOR		
MATERIAL: WHITE NORYL		
PROJECT #:	SHEET #: 1 OF 2	SCALE: 1 : 1
PART #: DSP3313X		



RYTON SURGE PROTECTOR

316 SS SURGE PROTECTOR