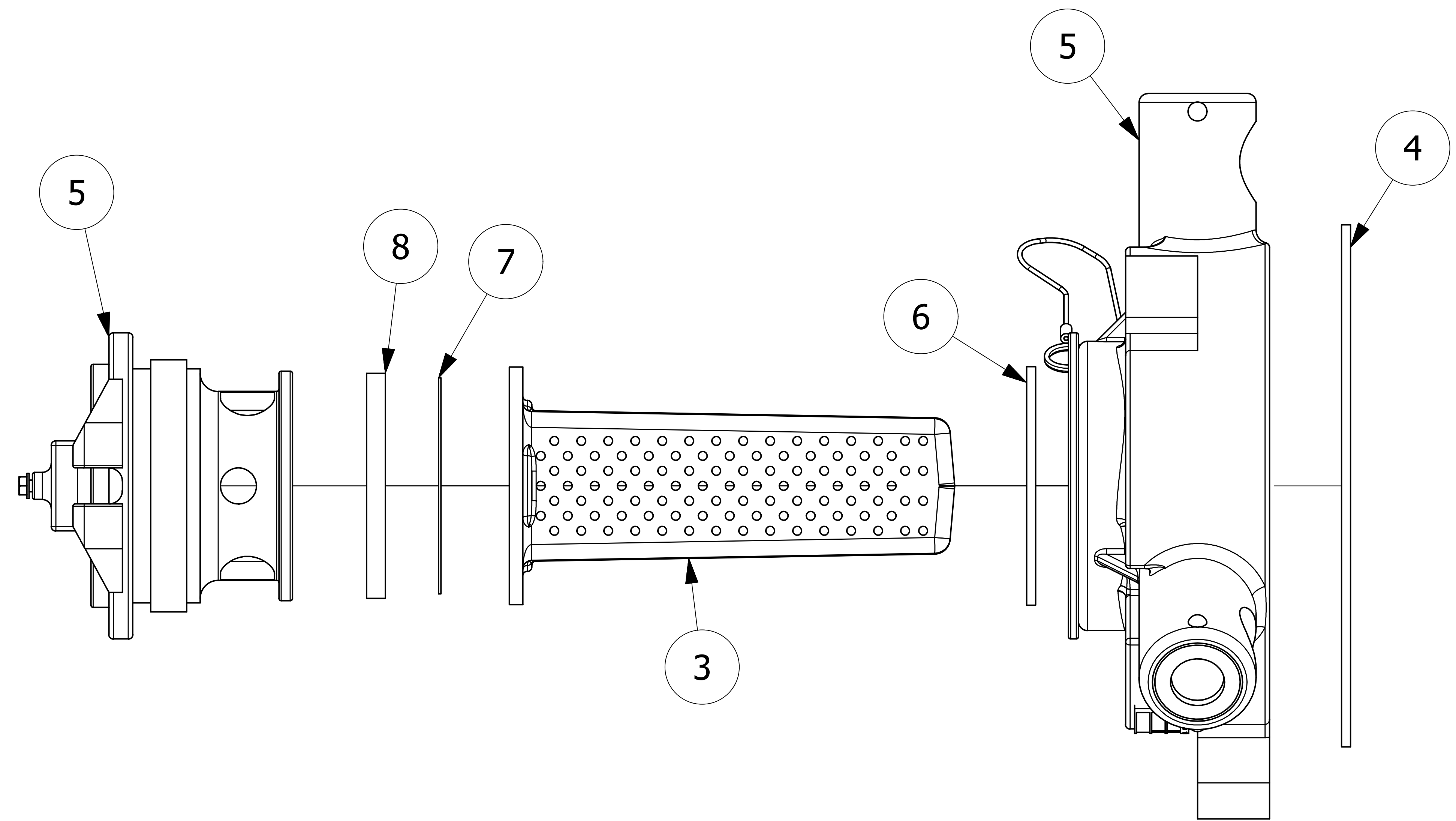


NO.	PART NAME	PART#	REQ'D	MATERIAL
1	ID PLATE 3" X 3/4"	A15152	.5	ALUMINUM
2	DRIVE SCREW TYPE U #2 X 1/8"	DR218	2	18-8 SS
3	SURGE PROTECTOR	DSP3313	1	NORYL
4	QUICK INSPECT FLANGE GASKET	FG550B	1	BLACK BUTYL
5	QUICK INSPECT SAFETY VENT	QI261BSA	1	BLACK NORYL
6	QI RETAINER GASKET	QI261G11	1	BLACK BUTYL
7	QI RUPTURE DISK GASKET	QI261RDG11	1	BLACK BUTYL
8	RUPTURE DISC (SOLD SEPARATELY)			



- NOTES:
1. CUSTOMERS RESPONSIBILITY FOR COMPATIBILITY OF COMMODITY.
 2. AAR APPROVAL # PRD-162102.
 3. SEE DOCUMENT Q-2.14 FOR MARKING PROCEDURE.
 4. FASTEN ID PLATE WITH DRIVE SCREWS.

M	CHL	10/24/19	NOTE Q-2.14 WAS QAP5A-1
L	JG	5/19/17	AAR APPROVAL # WAS SRD-063000
K	TAK	8/26/13	ADDED A15152, DR218 & QAP5A-1 NOTE
J	AJB	12/28/06	CHANGED AAR APPROVAL NUMBER.
I	MRC	8/31/00	DRAWING WAS A CHART, UPDATED TO CURRENT STANDARDS DRAWING NUMBER WAS E8565
REV	BY	DATE	DESCRIPTION

UNLESS OTHERWISE SPECIFIED DIMENSIONAL TOLERANCES FRACTIONAL: ±1/16 X.XX: ±.03 X.XXX: ±.015 ANGULAR: ±1° DEBURR ALL SHARP EDGES. ALL MACHINED SURFACES TO HAVE A 125 RMS FINISH UNLESS NOTED OTHERWISE. THIRD ANGLE PROJECTION	DRAWN BY:	MRC
	CHECKED BY:	CLH
	PROTOTYPE DATE:	8/31/2000
	APPROVED FOR PRODUCTION BY:	CLH
	PRODUCTION DATE:	8/31/2000
	SIZE:	E
DRAWING #:	14932	

SALCO PRODUCTS, INC.

QUICK INSPECT SAFETY VENT

MATERIAL: **SEE BOM**

PROJECT #: SHEET #: **1 OF 1** SCALE: **1:1**

PART #: **QI26111A**