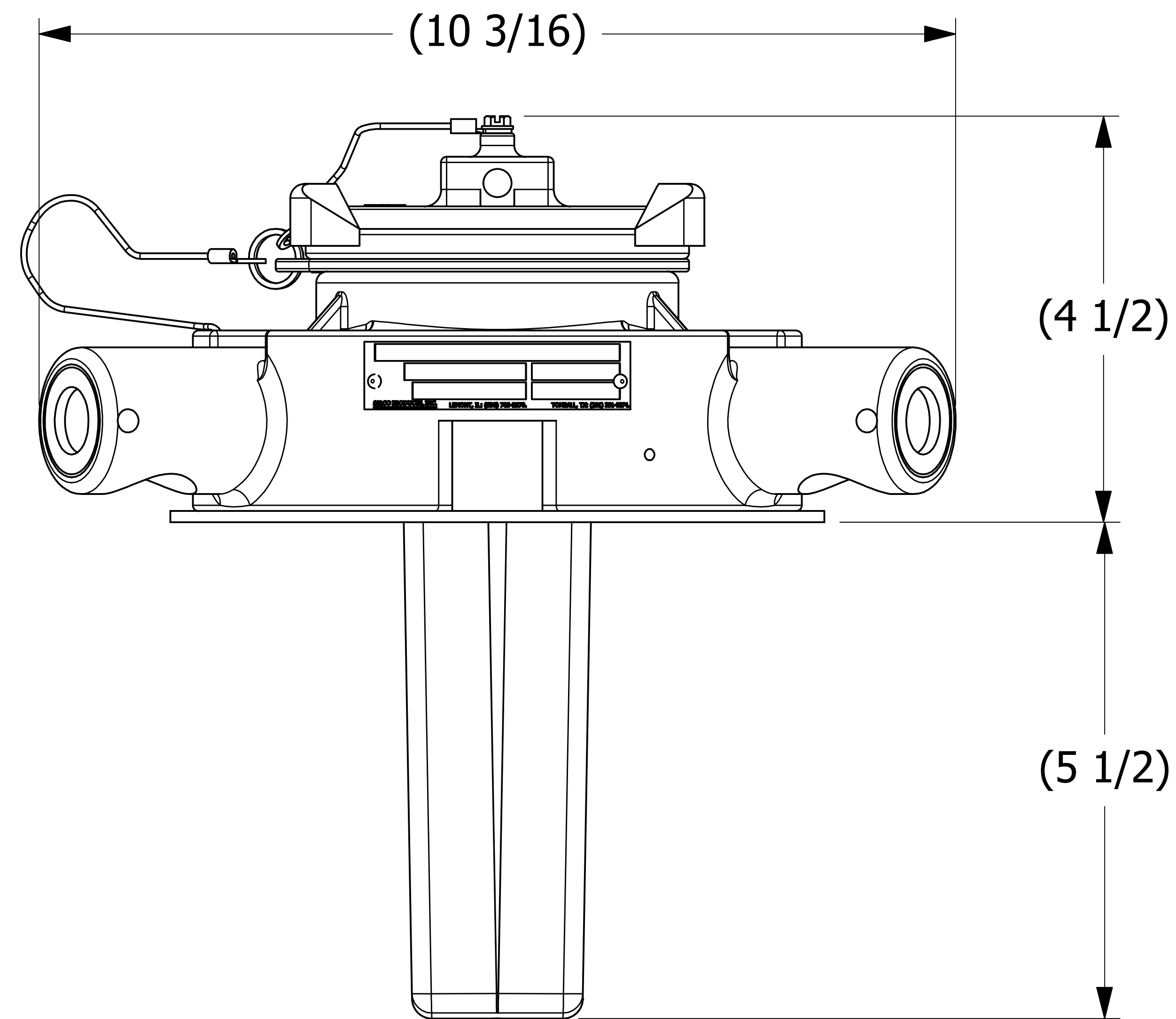
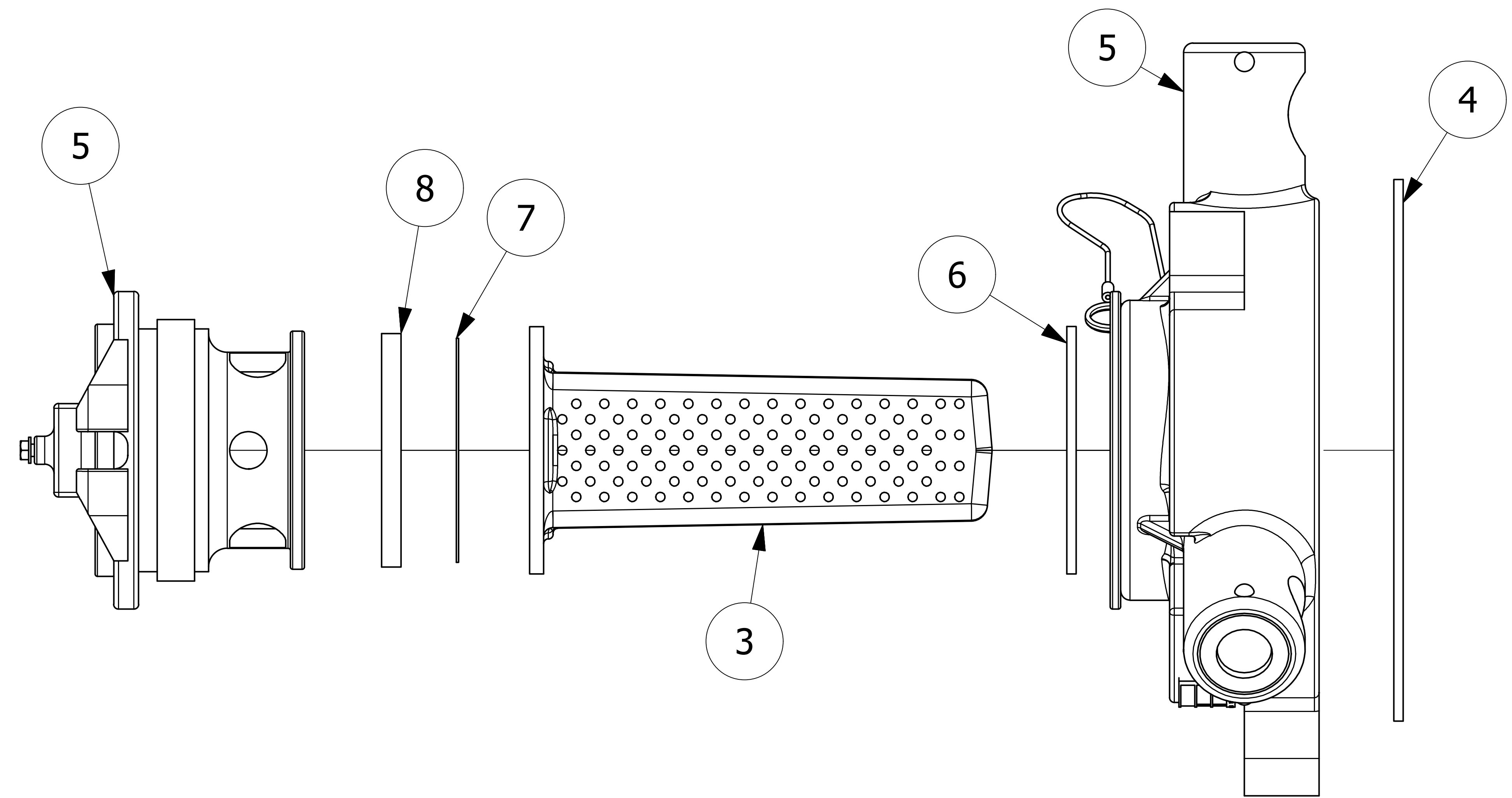
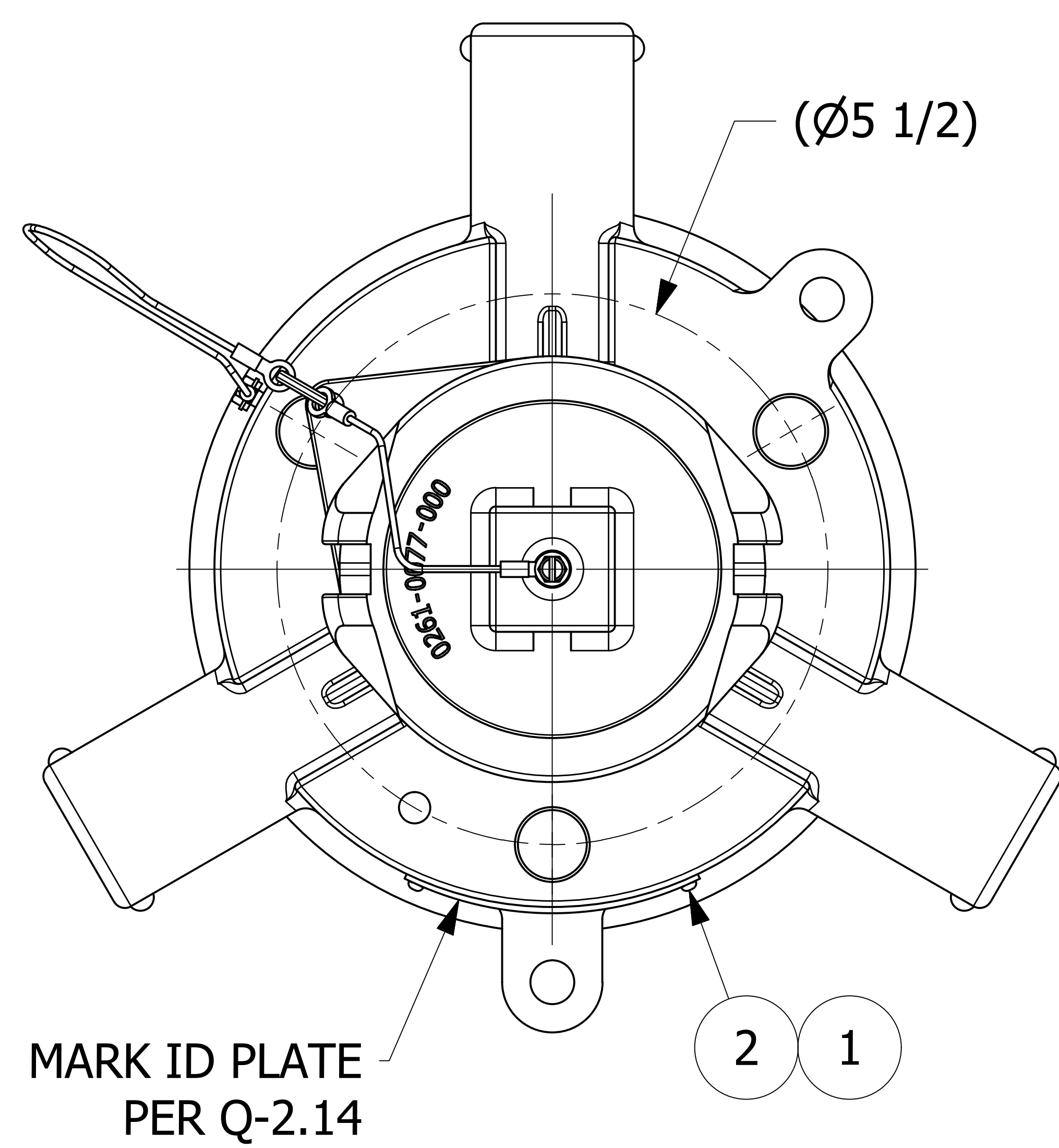


NO.	PART NAME	PART#	REQ'D	MATERIAL
1	ID PLATE 3" X 3/4"	A15152	.5	ALUMINUM
2	DRIVE SCREW TYPE U #2 X 1/8"	DR218	2	18-8 SS
3	SURGE PROTECTOR	DSP3313	1	NORYL
4	QUICK INSPECT FLANGE GASKET	FG550E	1	BLACK EPDM SC
5	QUICK INSPECT SAFETY VENT	QI261BSA	1	BLACK NORYL
6	QI RETAINER GASKET	QI261G3	1	BLACK EPDM SC
7	QI RUPTURE DISK GASKET	QI261RDG3	1	BLACK EPDM SC
8	RUPTURE DISC (SOLD SEPARATELY)			



- NOTES:
1. CUSTOMERS RESPONSIBILITY FOR COMPATIBILITY OF COMMODITY.
  2. AAR APPROVAL # PRD-162102.
  3. SEE DOCUMENT Q-2.14 FOR MARKING PROCEDURE.
  4. FASTEN ID PLATE WITH DRIVE SCREWS.

M	CHL	3/29/22	Q-2.14 WAS QAP5A-1, UPDATED TITLEBLOCK
L	JG	1/4/17	AAR APPROVAL # WAS SRD-063000
K	TAK	8/26/13	ADDED A15152, DR218 & QAP5A-1 NOTE
J	AJB	12/28/06	CHANGED AAR APPROVAL NO.
I	MRC	8/31/00	DRAWING WAS A CHART, UPDATED TO CURRENT STANDARDS DRAWING NUMBER WAS E8565
REV	BY	DATE	DESCRIPTION

UNLESS OTHERWISE SPECIFIED DIMENSIONAL TOLERANCES FRACTIONAL: ±1/16	DRAWN BY:	MRC
X.XX: ±.03	CHECKED BY:	CLH
X.XXX: ±.015	PROTOTYPE DATE:	8/31/2000
ANGULAR: ±1°	APPROVED FOR PRODUCTION BY:	CLH
DEBURR ALL SHARP EDGES. ALL MACHINED SURFACES TO HAVE A 125 RMS FINISH UNLESS NOTED OTHERWISE.	PRODUCTION DATE:	8/31/2000
THIRD ANGLE PROJECTION	SIZE:	E
	DRAWING #:	14934

**SALCO PRODUCTS, INC.**

**QUICK INSPECT SAFETY VENT**

**SEE BOM**

PROJECT #: SHEET #: 1 OF 1 SCALE: 1 : 1

PART #: **QI2613A**