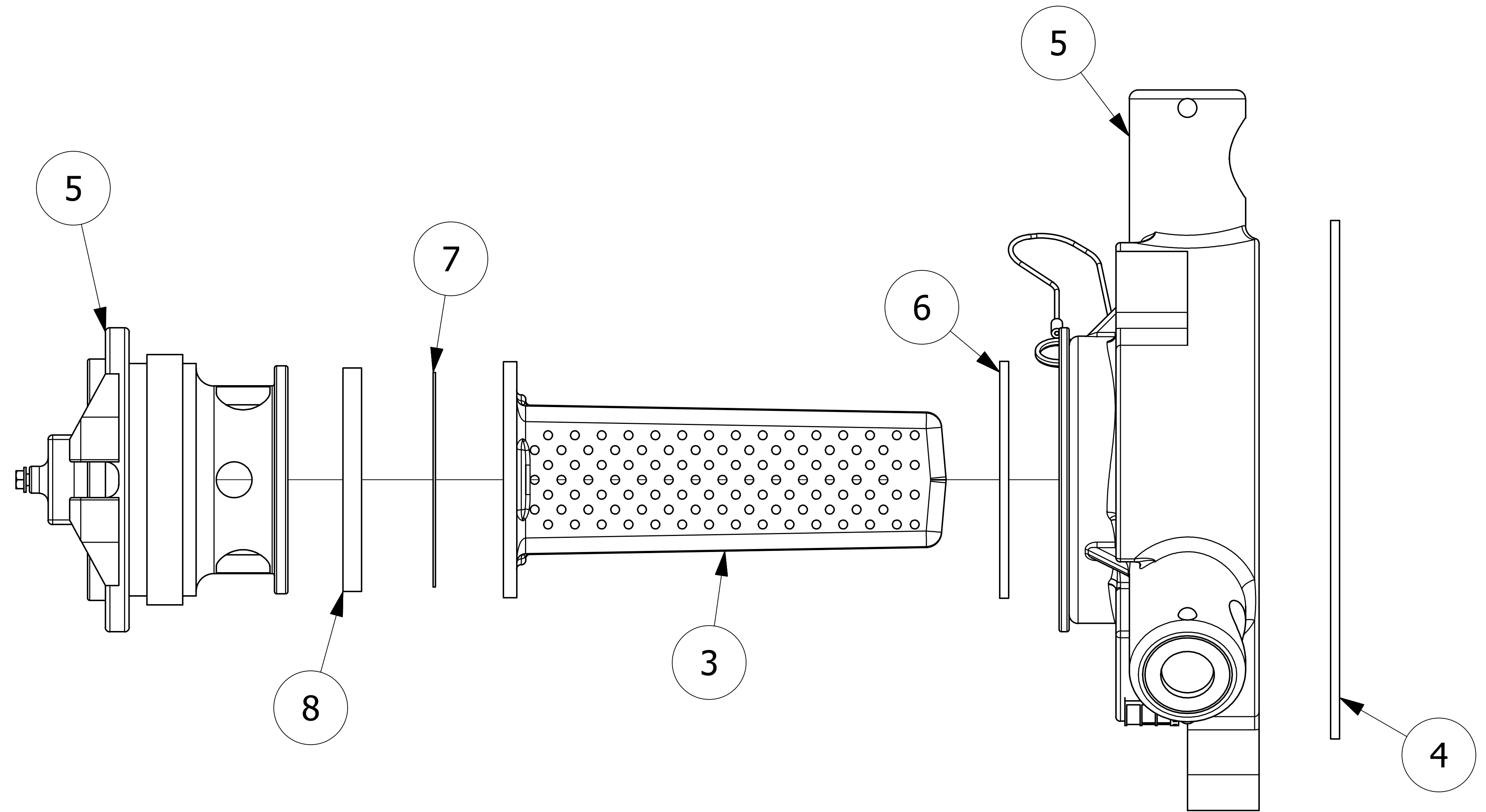
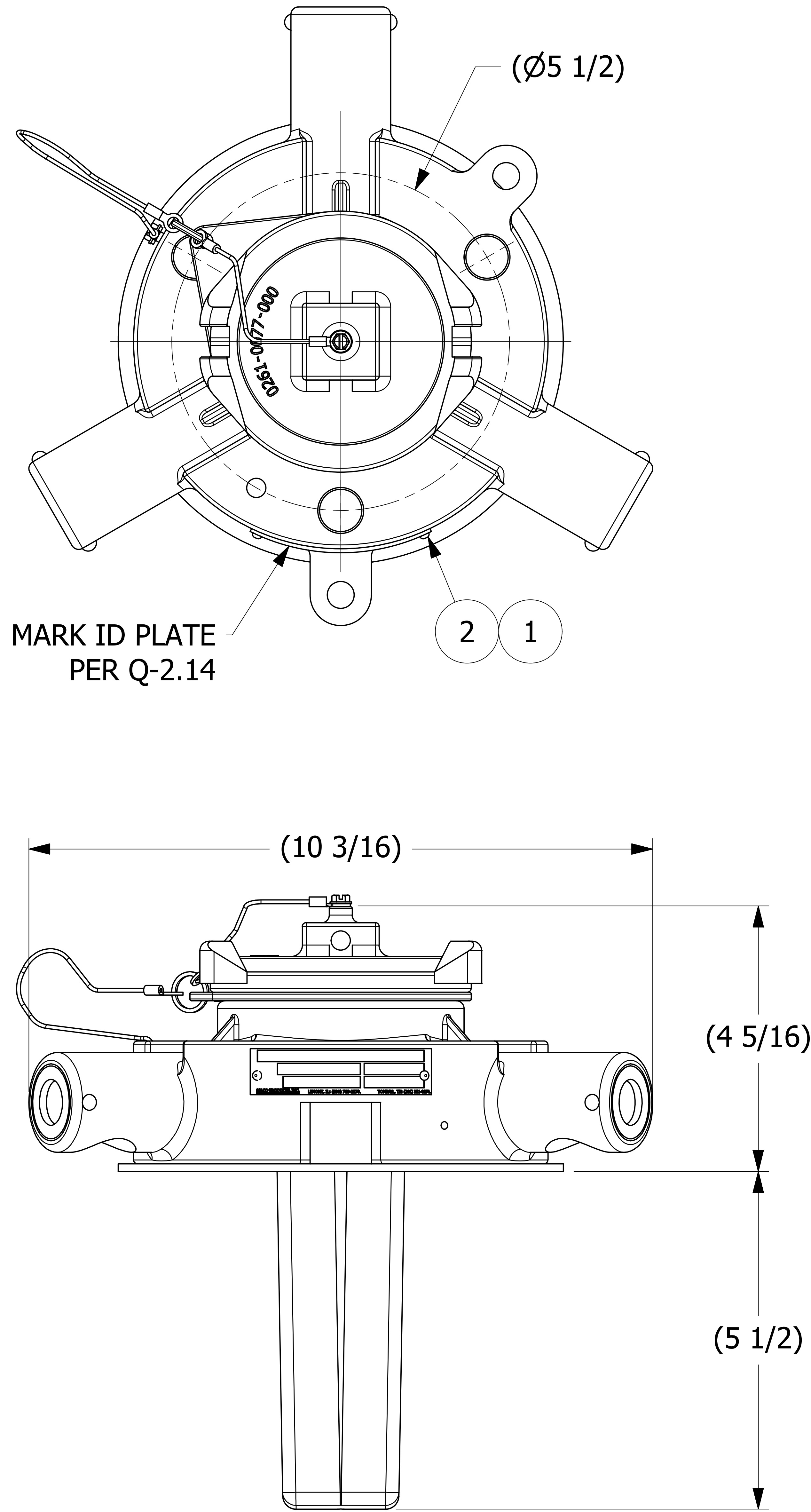


NO.	PART NAME	PART#	REQ'D	MATERIAL
1	ID PLATE 3" X 3/4"	A15152	.5	ALUMINUM
2	DRIVE SCREW TYPE U #2 X 1/8"	DR218	2	18-8 SS
3	SURGE PROTECTOR	DSP3313	1	NORYL
4	QUICK INSPECT FLANGE GASKET	FG5508	1	FDA WHITE NEOPRENE
5	QUICK INSPECT SAFETY VENT	QI261BSA	1	BLACK NORYL
6	QI RETAINER GASKET	QI261G8	1	FDA WHITE NEOPRENE
7	QI RUPTURE DISK GASKET	QI261RDG8	1	FDA WHITE NEOPRENE
8	RUPTURE DISC (SOLD SEPARATELY)			



- NOTES:**
1. CUSTOMERS RESPONSIBILITY FOR COMPATIBILITY OF COMMODITY.
 2. AAR APPROVAL # PRD-162102.
 3. SEE DOCUMENT Q-2.14 FOR MARKING PROCEDURE.
 4. FASTEN ID PLATE WITH DRIVE SCREWS.

D	WEB	8-14-19	"Q-2.14" WAS "QAP5A-1"; UPDATED BOM MATERIAL WITH "FDA"
C	JG	2-8-17	AAR APPROVAL # WAS SRD-063000
B	TAK	8-30-13	ADDED A15152, DR218 & QAP5A-1 NOTE
A	AJB	12-28-06	CHANGED AAR APPROVAL NO.
REV	BY	DATE	DESCRIPTION

<small>UNLESS OTHERWISE SPECIFIED DIMENSIONAL TOLERANCES FRACTIONAL: ±1/16 X.XX: ±.03 X.XXX: ±.015 ANGULAR: ±1° DEBURR ALL SHARP EDGES. ALL MACHINED SURFACES TO HAVE A 125 RMS FINISH UNLESS NOTED OTHERWISE. THIRD ANGLE PROJECTION</small>	DRAWN BY:	CHL
	CHECKED BY:	PJG
	PROTOTYPE BY:	CHL
	PROTOTYPE DATE:	4/23/2002
	APPROVED FOR PRODUCTION BY:	PJG
	PRODUCTION DATE:	4/23/2002

SALCO PRODUCTS, INC.		
QUICK INSPECT SAFETY VENT		
MATERIAL: SEE BOM		
PROJECT #:	SHEET #:	SCALE:
	1 OF 1	1:1
DRAWING #:	PART #:	
E16890	QI2618A	