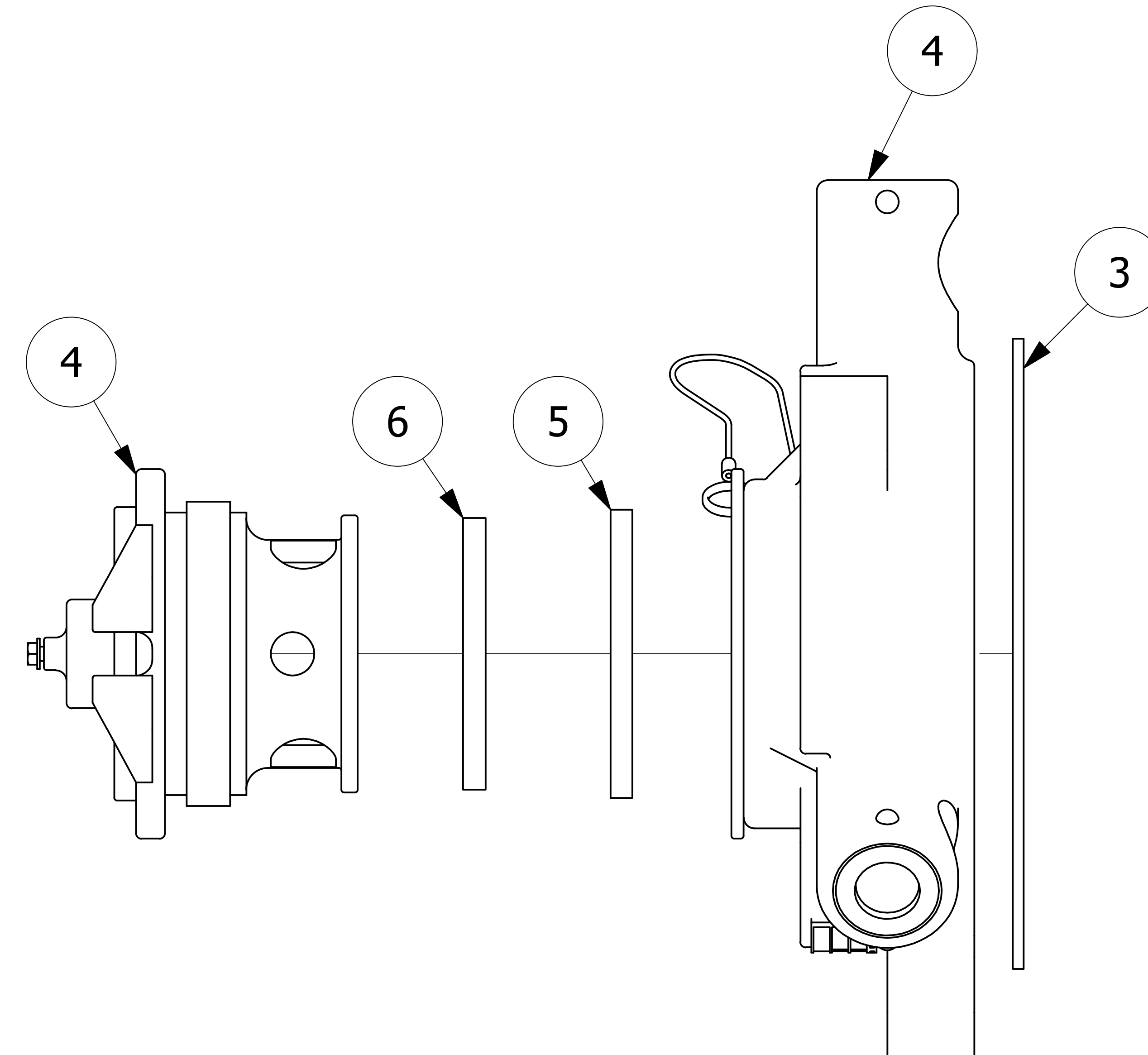
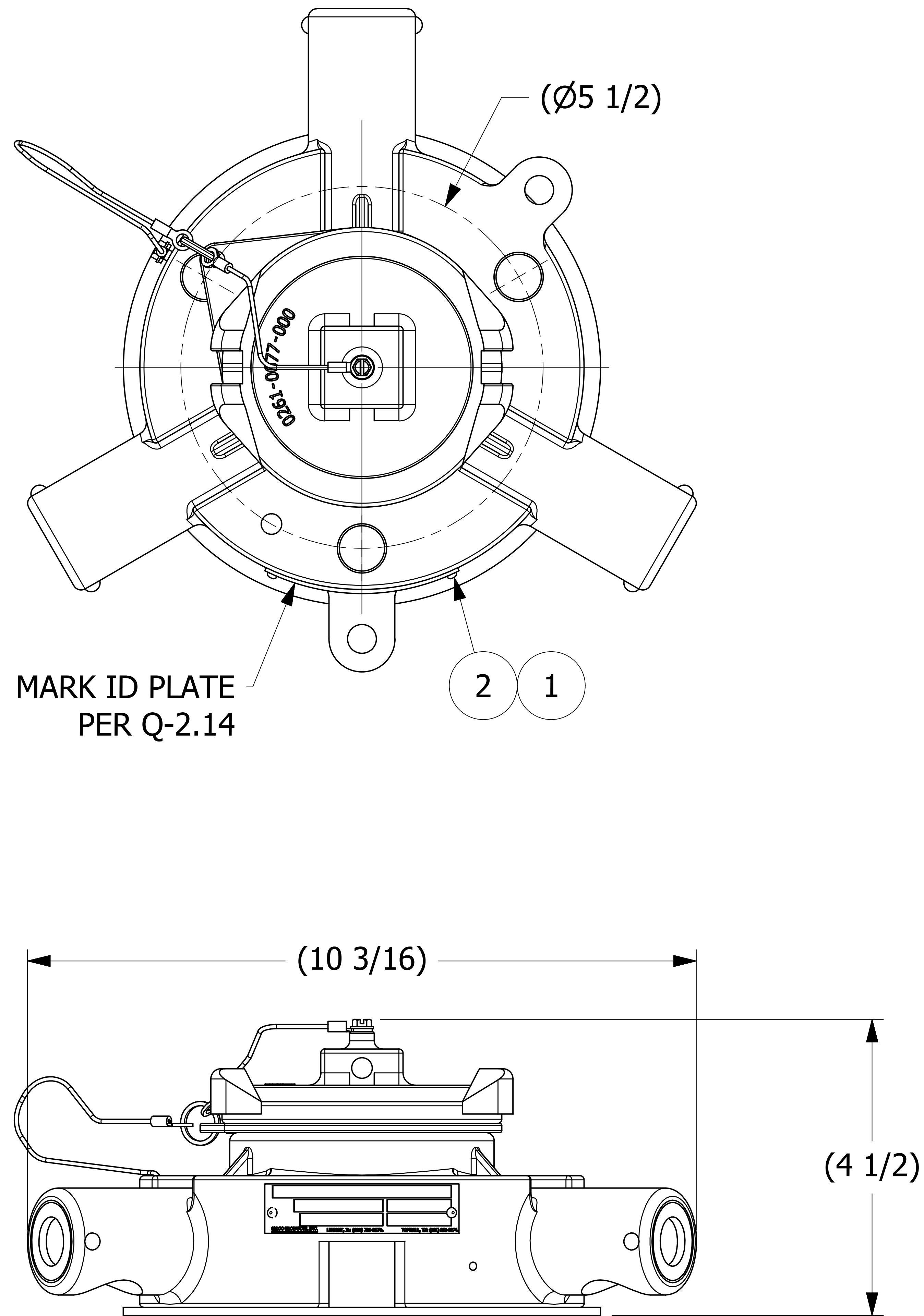


NO.	PART NAME	PART #	REQ'D	MATERIAL
1	ID PLATE 3" X 3/4"	A15152	.5	ALUMINUM
2	DRIVE SCREW TYPE U #2 X 1/8"	DR218	2	18-8 SS
3	QUICK INSPECT FLANGE GASKET	FG550E	1	BLACK EPDM SC
4	QUICK INSPECT SAFETY VENT	QI261BSA	1	BLACK NORYL
5	QI RETAINER GASKET	QI261DG3	1	BLACK EPDM SC
6	RUPTURE DISC (SOLD SEPARATELY)			



NOTES:

1. CUSTOMERS RESPONSIBILITY FOR COMPATIBILITY OF COMMODITY.
2. AAR APPROVAL # PRD-162102.
3. SEE DOCUMENT Q-2.14 FOR MARKING PROCEDURE.
4. FASTEN ID PLATE WITH DRIVE SCREWS.

M	CHL	2/5/20	Q-2.14 WAS QAP5A-1
L	JG	1/20/17	AAR APPROVAL # WAS SRD-063000
K	TAK	9/3/13	ADDED A15152, DR218 & QAP5A-1 NOTE
J	AJB	12/28/06	CHANGED AAR APPROVAL NO.
I	MRC	8/31/00	DRAWING WAS A CHART, UPDATED TO CURRENT STANDARDS DRAWING NUMBER WAS E8565
REV	BY	DATE	DESCRIPTION

UNLESS OTHERWISE SPECIFIED DIMENSIONAL TOLERANCES FRACTIONAL: ±1/16 X.XX: ±.03 X.XXX: ±.015 ANGULAR: ±1° DEBURR ALL SHARP EDGES. ALL MACHINED SURFACES TO HAVE A 125 RMS FINISH UNLESS NOTED OTHERWISE. THIRD ANGLE PROJECTION	DRAWN BY: CLH	
	CHECKED BY: ACC	
	PROTOTYPE DATE: 2/9/1998	
	APPROVED FOR PRODUCTION BY: CLH	
	PRODUCTION DATE: 2/9/1998	
	SIZE: E	
	DRAWING #: 14939	

SALCO PRODUCTS, INC.		
QUICK INSPECT SAFETY VENT		
SEE BOM		
PROJECT #:	SHEET #:	SCALE:
	1 OF 1	1 : 1
QI261DG3A		