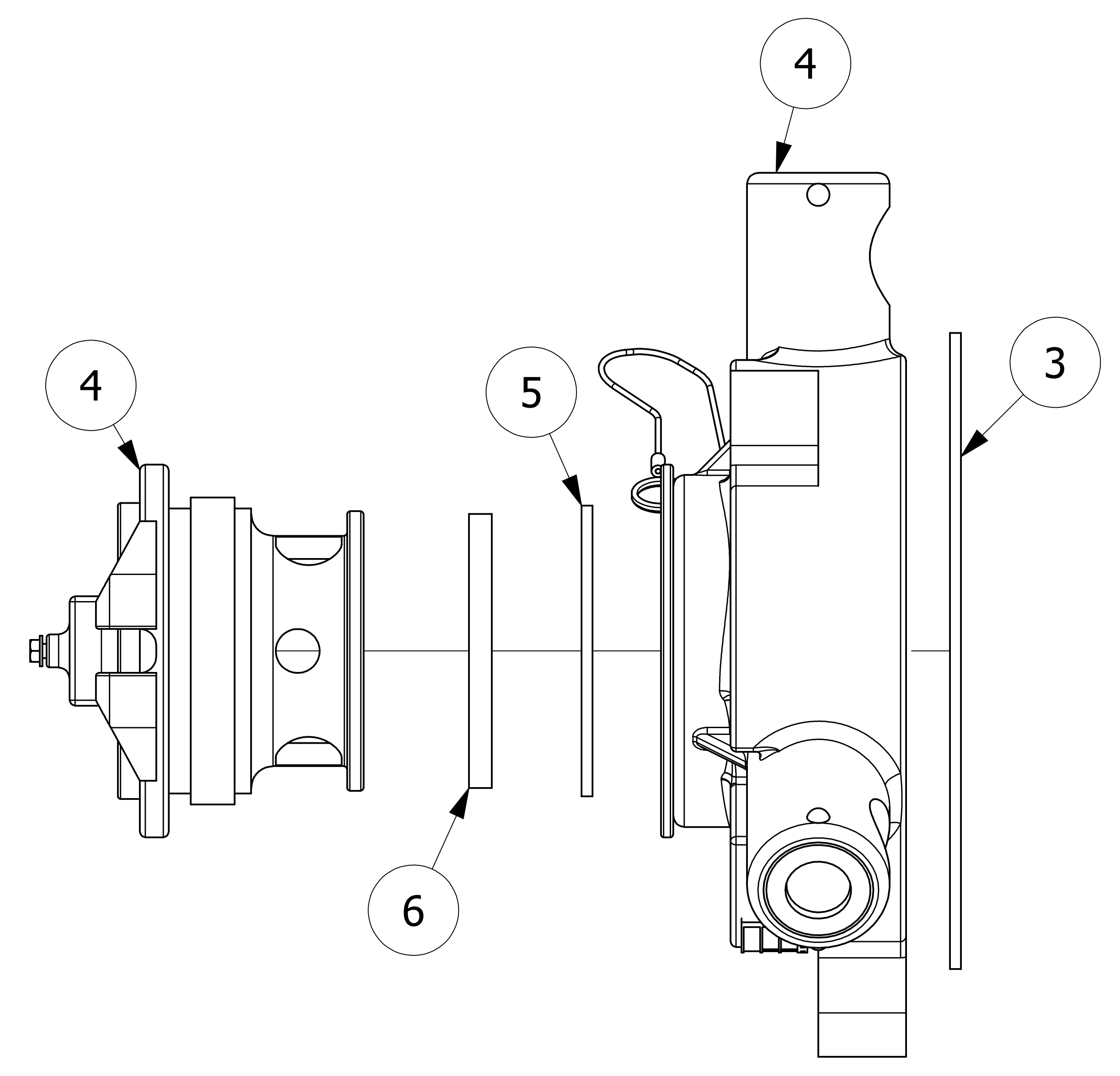
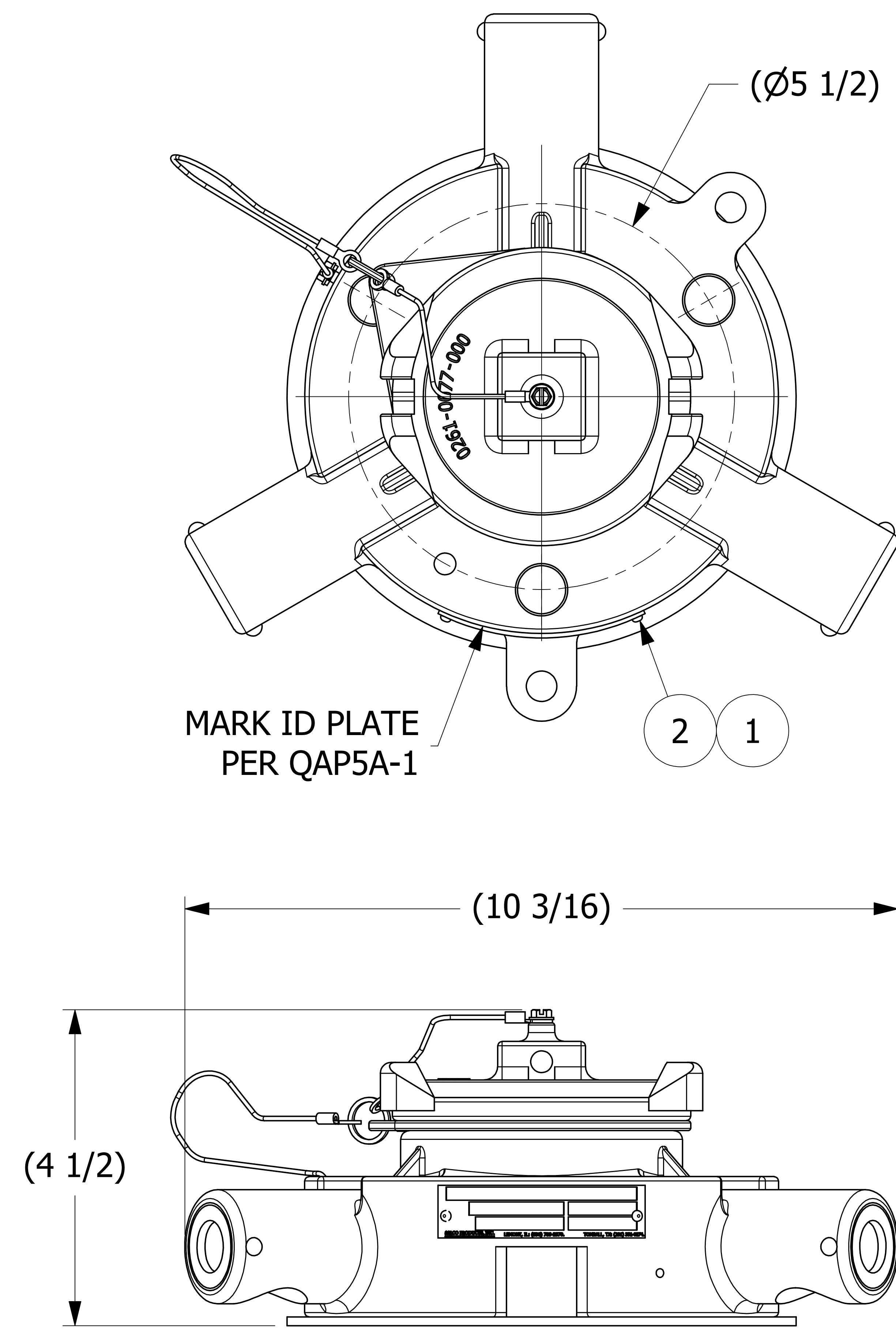


NO	PART NAME	PART#	REQ'D	MATERIAL
1	ID PLATE 3" X 3/4"	A15152	.5	ALUMINUM
2	DRIVE SCREW TYPE U #2 X 1/8"	DR218	2	18-8 SS
3	QUICK INSPECT FLANGE GASKET	FG550N	1	WHITE FDA NITRILE
4	QUICK INSPECT SAFETY VENT	QI261BSA	1	BLACK NORYL
5	QI RETAINER GASKET	QI261G2	1	WHITE FDA NITRILE
6	RUPTURE DISC (SOLD SEPARATELY)			



- NOTES:**
1. CUSTOMERS RESPONSIBILITY FOR COMPATIBILITY OF COMMODITY.
  2. AAR APPROVAL # PRD-162102.
  3. SEE DOCUMENT QAP5A-1 FOR MARKING PROCEDURE.
  4. FASTEN ID PLATE WITH DRIVE SCREWS.

C	JG	2-7-17	AAR APPROVAL # WAS SRD-063000
B	TAK	9-10-13	ADDED A15152, DR218 & QAP5A-1 NOTE
A	REH	9-2-10	ADDED PART TO SYSTEM
REV	BY	DATE	DESCRIPTION

<small>UNLESS OTHERWISE SPECIFIED DIMENSIONAL TOLERANCES FRACTIONAL: ±1/16 X.XX: ±.03 X.XXX: ±.015 ANGULAR: ±1° DEBURR ALL SHARP EDGES. ALL MACHINED SURFACES TO HAVE A 125 RMS FINISH UNLESS NOTED OTHERWISE.</small> <small>THIRD ANGLE PROJECTION</small>	DRAWN BY:	REH
	CHECKED BY:	WRB
	PROTOTYPE BY:	REH
	PROTOTYPE DATE:	9/1/2010
	APPROVED FOR PRODUCTION BY:	WRB
	PRODUCTION DATE:	9/2/2010

**SALCO PRODUCTS, INC.**

**QUICK INSPECT SAFETY VENT**

**SEE BOM**

PROJECT #: **WAG0874** SHEET #: **1 OF 1** SCALE: **2:1**

DRAWING #: **E29369** PART #: **QI261NSPR2A**