

(Ø10 1/4)

8X (Ø3/4)

(Ø12)

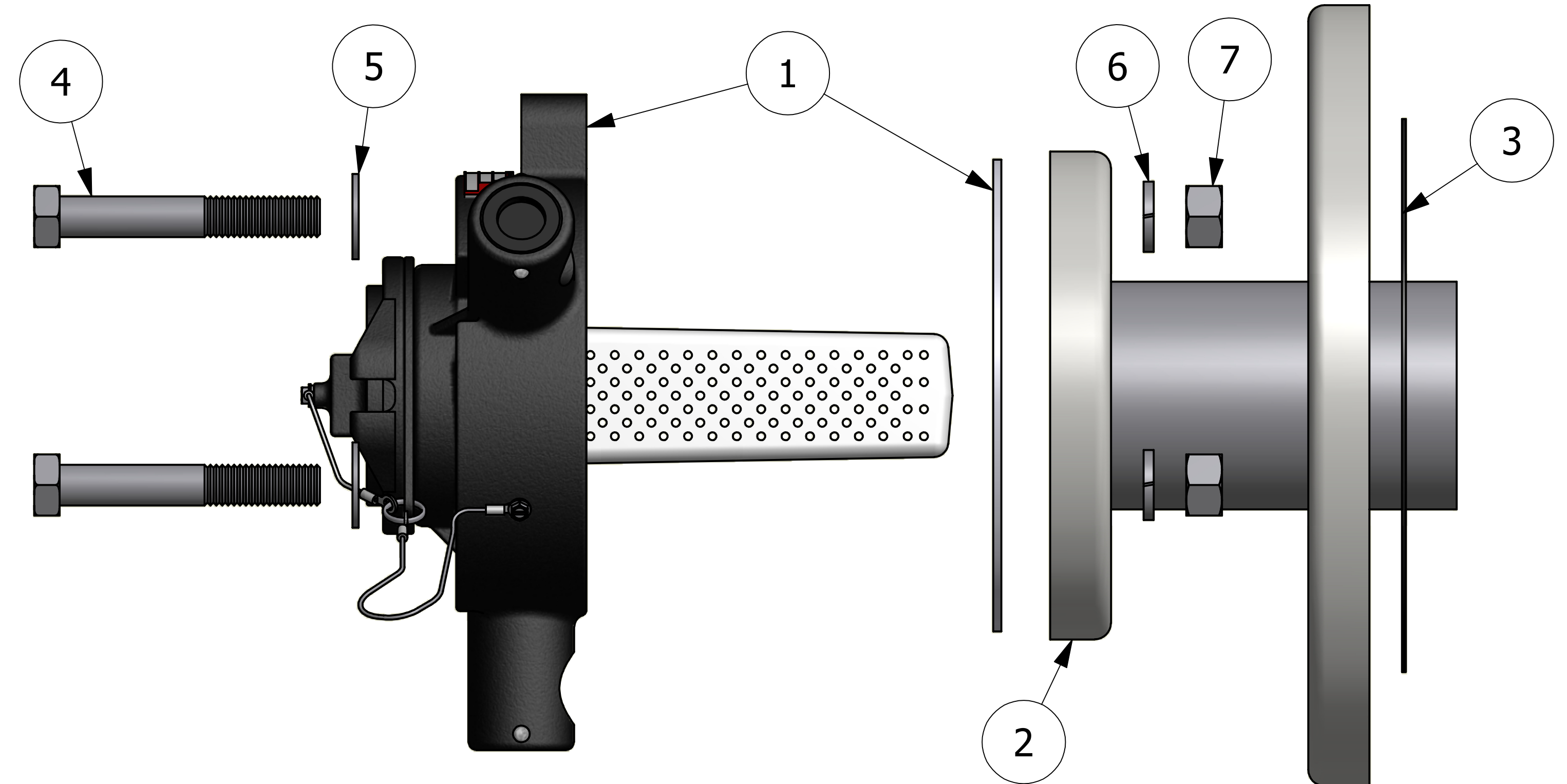
(10 3/16)

(10 3/4)

9 1/2

SEE NOTE 1

NO.	PART NAME	PART #	REQ'D	MATERIAL
1	QUICK INSPECT SAFETY VENT	QI26102A	1	NORYL
2	QUICK INSPECT ADAPTER FLANGE	QI1025F	1	316 SS
3	QI ADAPTER FLANGE GASKET	FG10	1	DURABLA BLACK
4	HEX BOLT 5/8"-11X4"	SV584FBS	3	18-8 SS
5	FLAT WASHER 5/8" SAE	SV58WS	3	18-8 SS
6	SPLIT LOCK WASHER 5/8"	SV58SLW	3	18-8 SS
7	HEX NUT 5/8"-11	SV58N	3	CS Z/P



NOTES:

1. MOUNTING FLANGE TO AAR SPECIFICATION E11E.
2. SURGE PROTECTOR MATERIAL = WHITE NORYL
3. CUSTOMER RESPONSIBILITY FOR COMAPTIBILITY OF COMMODITY.
4. RUPTURE DISC PRESSURE INDICATED BY CUSTOMER.
5. AAR APPROVAL #PRD-162102.

I	JG	5-22-17	AAR APPROVAL # WAS SRD-063000; UPDATED NOTES, VIEWS
H	CHL	12-7-09	REPLACED QI261A & FG550N W/QI26102A
G	WRB	12/28/06	ADDED AAR APPROVAL NOTE
F	MRC	9/15/00	DRAWING WAS A CHART
REV	BY	DATE	DESCRIPTION

UNLESS OTHERWISE SPECIFIED DIMENSIONAL TOLERANCES FRACTIONAL: ±1/16 X.XX: ±.03 X.XXX: ±.015 ANGULAR: ±1° DEBURR ALL SHARP EDGES. ALL MACHINED SURFACES TO HAVE A 125 RMS FINISH UNLESS NOTED OTHERWISE. THIRD ANGLE PROJECTION	DRAWN BY:	CLH
	CHECKED BY:	
	PROTOTYPE BY:	CLH
	PROTOTYPE DATE:	2/10/1998
	APPROVED FOR PRODUCTION BY:	CLH
	PRODUCTION DATE:	2/10/1998

SALCO PRODUCTS, INC.

QUICK INSPECT SAFETY VENT W/FLANGE

MATERIAL: **SEE BOM**
PROJECT #: **940801** SHEET #: **1 OF 1** SCALE: **1:2**

DRAWING #: **D8862** PART #: **QIF1025A**