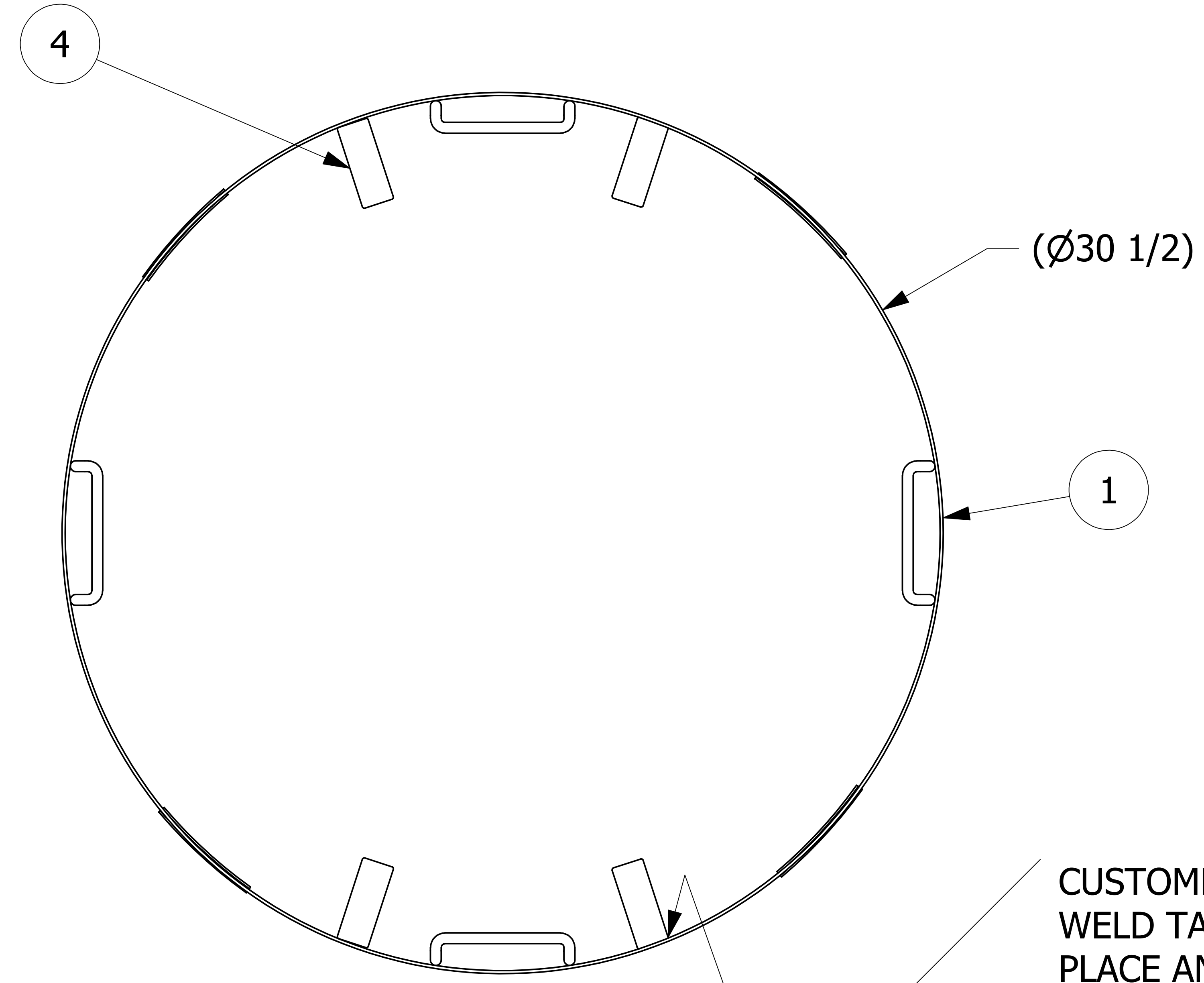
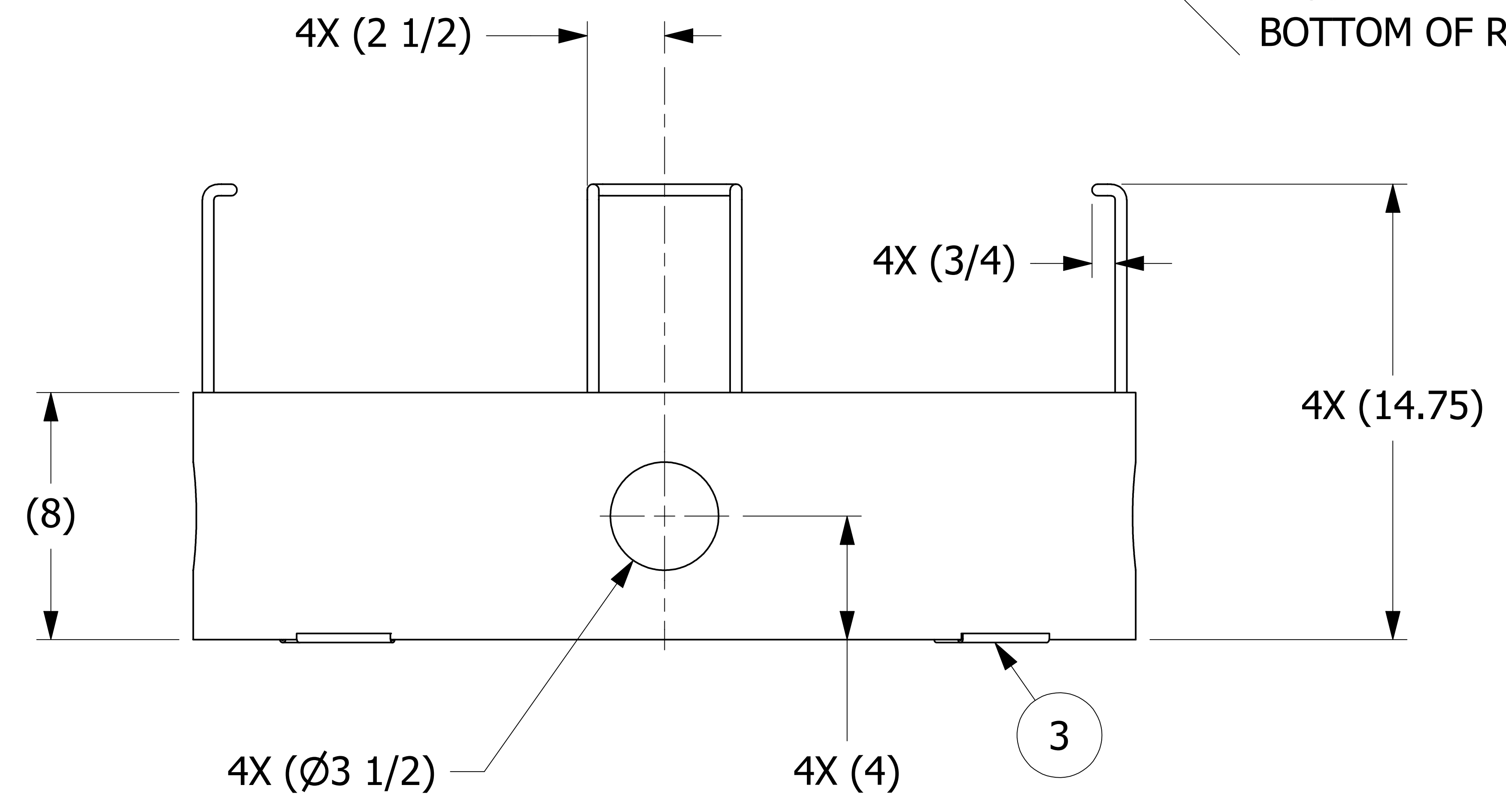
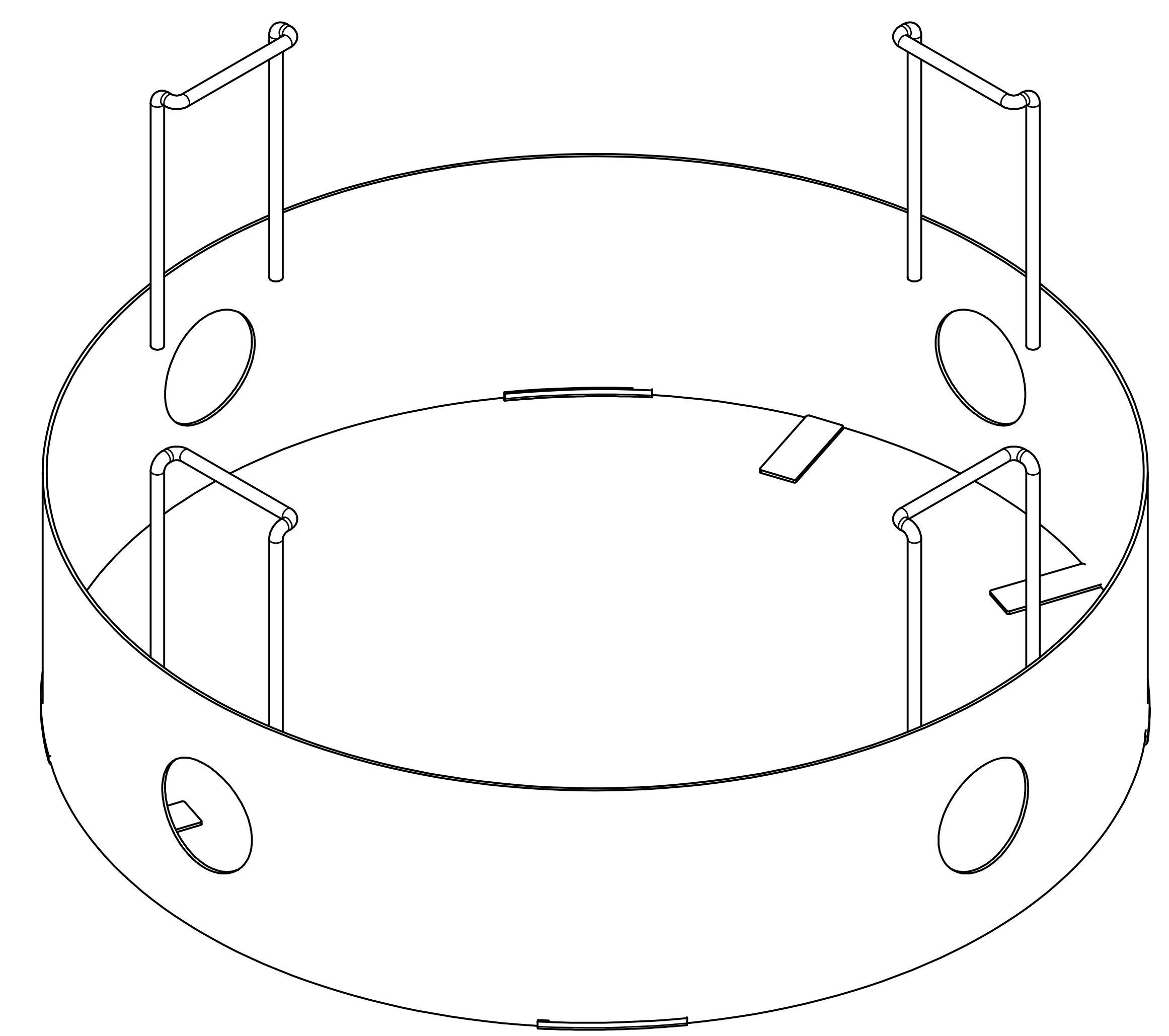


NO.	PART NAME	PART #	REQ'D	MATERIAL
1	SECURITY RING 20"	MB20PR03CSNL	1	SEE DWG
2	LABEL	MBPRLBL	1	VINYL
3	EDGE TRIM 1/8"	A21066	4	NEOPRENE
4	TAB	A16574	4	CS



CUSTOMER IS TO WELD TABS IN THE RIGHT PLACE AND USE TOUCH UP PAINT
 4 PLS TABS TO BE FLUSH WITH BOTTOM OF RING



NOTES:
 - APPLY LABEL ON INSIDE THE RING, DO NOT PLACE OVER HOLE.
 - GLUE EDGE TRIM TO RING.

A	VD	06-03-10	ADDED PART TO SYSTEM.
REV	BY	DATE	DESCRIPTION

UNLESS OTHERWISE SPECIFIED DIMENSIONAL TOLERANCES	DRAWN BY:	VD
FRACTIONAL: $\pm 1/16$	CHECKED BY:	CHL
X.XX: $\pm .03$	PROTOTYPE BY:	VD
X.XXX: $\pm .015$	PROTOTYPE DATE:	9/1/2009
ANGULAR: $\pm 1^\circ$	APPROVED FOR PRODUCTION BY:	
THIRD ANGLE PROJECTION	PRODUCTION DATE:	

SALCO PRODUCTS, INC.

PART NAME: **SECURITY RING 20"**

MATERIAL: **SEE BOM**

PROJECT #: **080922** SHEET #: **1 OF 1** SCALE: **3:8**

DRAWING #: **E27427** PART #: **MB20PR03CS**