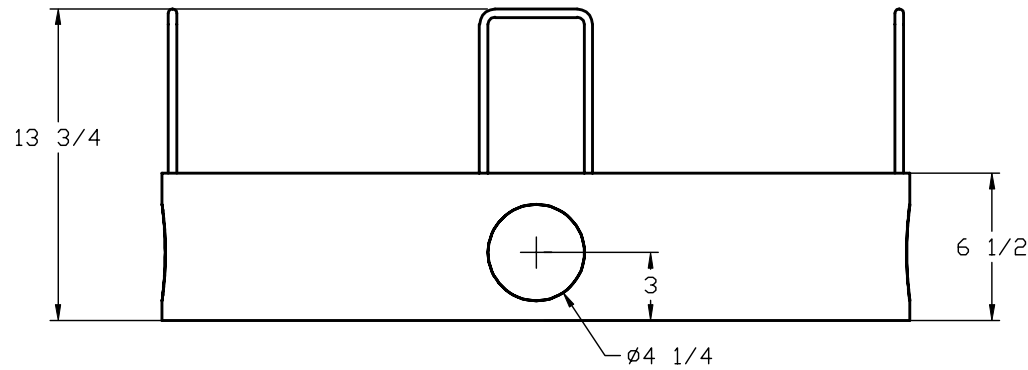
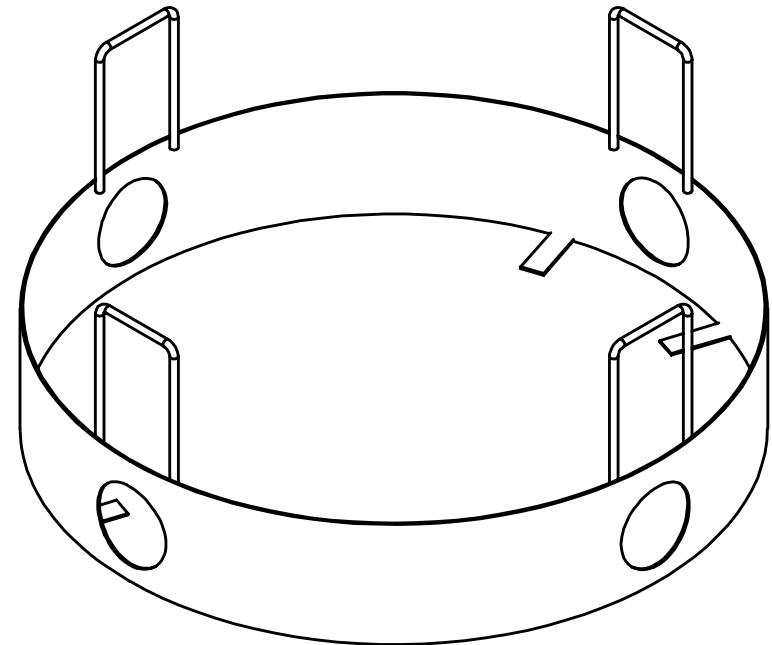
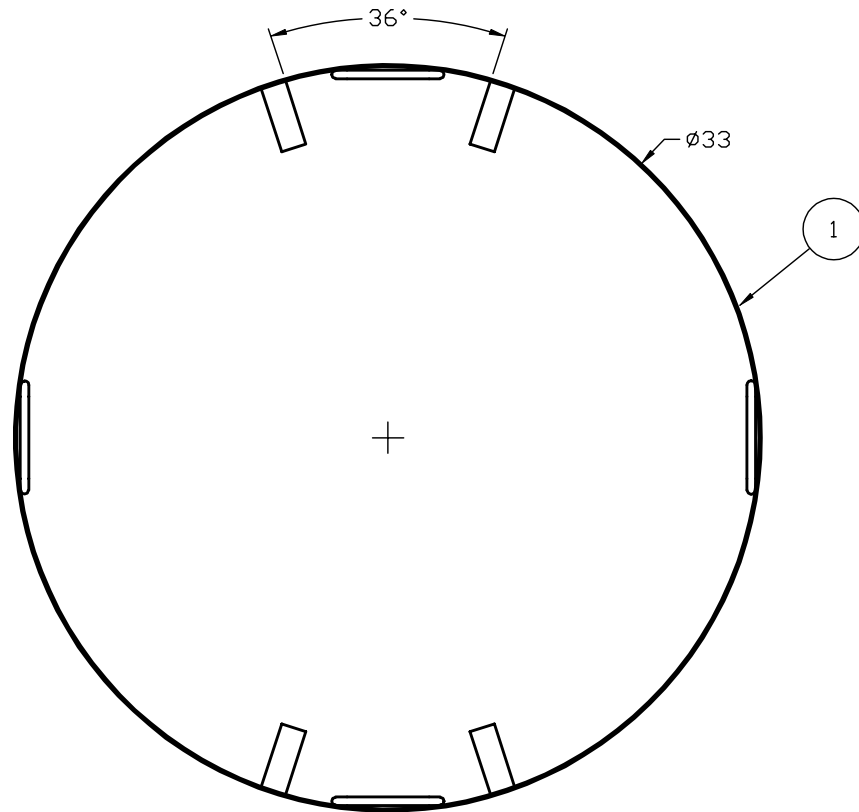


NO.	PART NAME	PART #	REQ'D	MATERIAL
1		MB20PR100NL	1	
2	LABEL RING SECURITY	MBPRLBL	1	VINYL



NOTE:
PAINTED OR POWDER COAT YELLOW.
APPLY LABEL AFTER PAINTING.

UNLESS OTHERWISE SPECIFIED DIMENSIONAL TOLERANCES		A ACC 1-31-03 UPDATED BOM	
FRACTIONAL ±1/16		REV. BY	DATE
X.XX ±0.03		DESCRIPTION	
X.XXX ±0.015			
ANGULAR ±1°			
THE PROP. PROPERTY OF SALCO PRODUCTS INC. CONTAINS PROPRIETARY INFORMATION AND MUST NOT BE COPIED, REPRODUCED OR USED INDEPENDENTLY TO OUR INTEREST.		APPROVAL DATE: 1-23-03	
THIRD ANGLE PROJECTION		PART NAME: RING SECURITY ASSY 20	
		PROJECT # 011206A	PROTOTYPE AND DATE:
		DRAWING # E17564	PART # MB20PR100