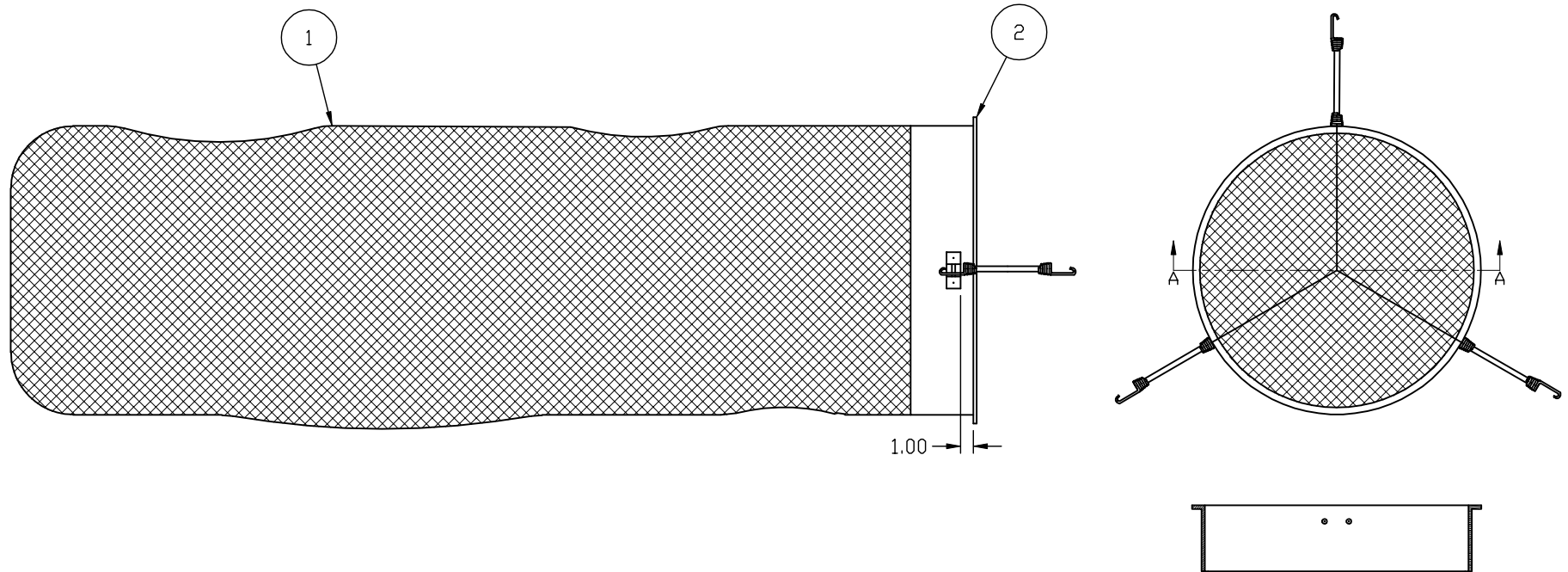


NO.	PART NAME	PART #	REQ'D	MATERIAL
1	EXHAUST BAG	F72	1	NYLON
2	THROAT LINER ASSEMBLY 20"	TL20BB	1	UHMWPE



SECTION A-A

- NOTES:
 1. 120° BETWEEN CONDUIT CLAMPS.
 2. REMOVE BOTTOM OF THROAT LINER.

D	CHL	10-19-05	UPDATED DRAWING TO CURRENT STANDARDS
C	MRC	7-13-99	CHANGED BALLONS TO MATCH CURRENT BOM
B	MRC	7-20-98	CHANGED BOM TO SUB-ASSEMBLIES
A	MRC	5-18-98	PART# F76 WAS F36
REV	BY	DATE	DESCRIPTION

UNLESS OTHERWISE SPECIFIED DIMENSIONAL TOLERANCES		SALCO PRODUCTS, INC.		2D
FRACTIONAL	±1/16	DRAWN BY: MRC	CHKD BY:	SCALE: 1:4
X.XX	±0.03	MATERIAL: SEE NOTE		APPROVAL DATE:
X.XXX	±0.015	PART NAME: THROAT LINER ASSEMBLY 20"		
ANGULAR	±1°	PROJECT #:		
THIS PART, PROPERTY OF SALCO PRODUCTS INC. CONTAINS PROPRIETARY INFORMATION AND MUST NOT BE COPIED, REPRODUCED, OR USED RETRIBUTIVELY TO THE SERVICES.		PROTOTYPE AND DATE:		APPROVED FOR PRODUCTION: MRC
THIRD ANGLE PROJECTION		DRAWING #:	PART #:	
		D8802	TL20BBF72	