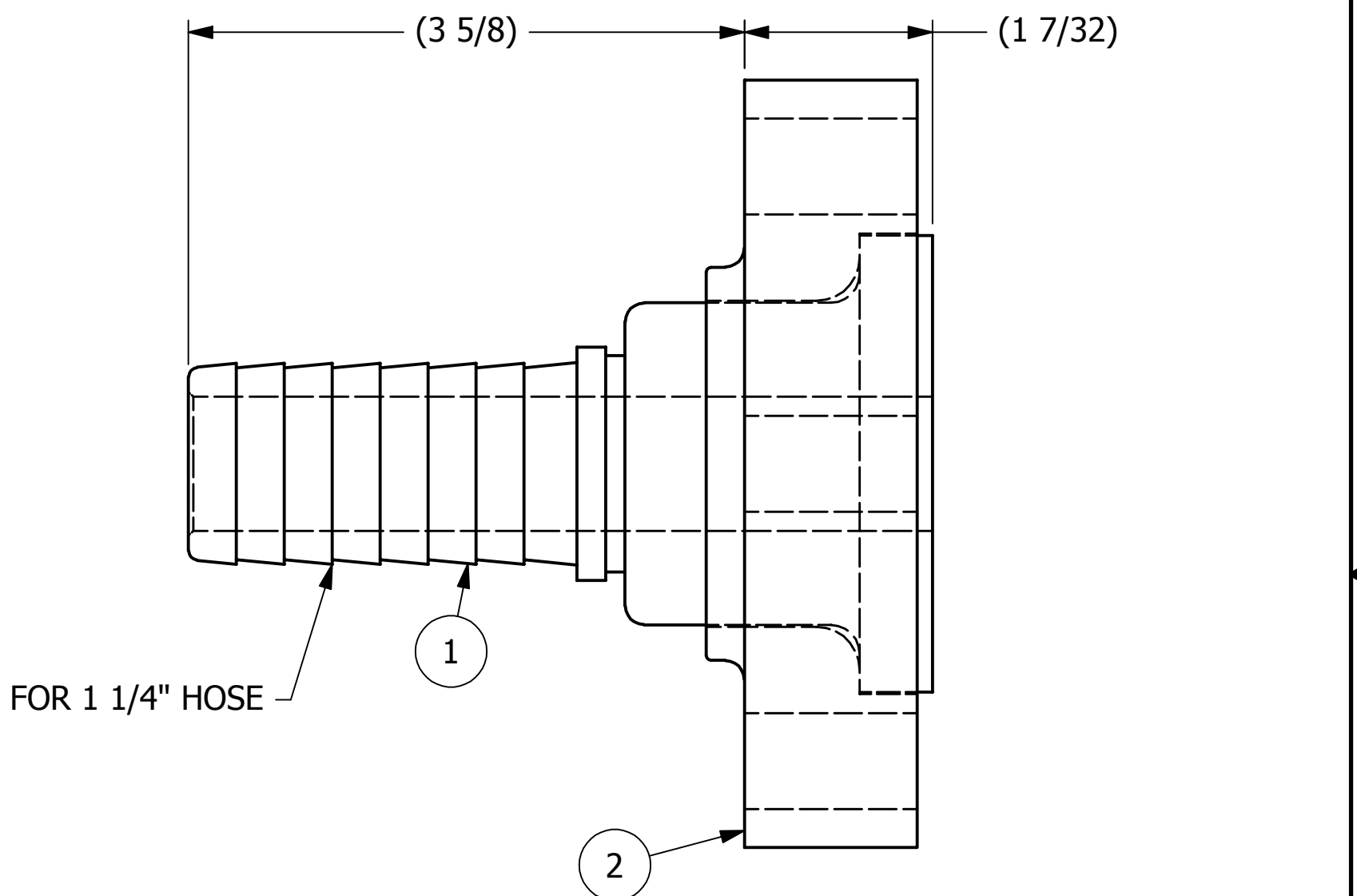
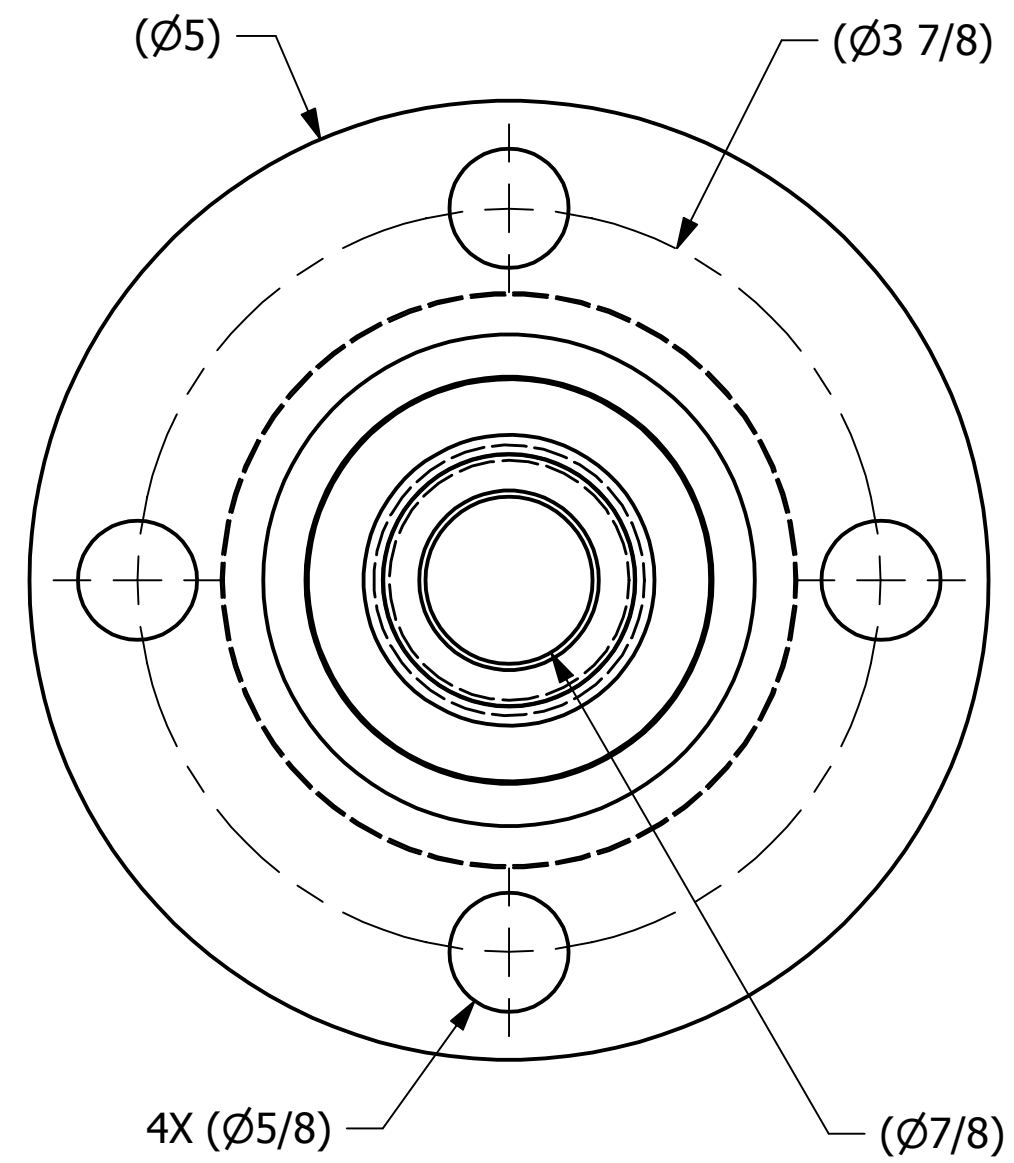


4 3 2 1

NO.	PART NAME	PART#	REQ'D	MATERIAL
1	FLANGED HOSE BARB 1 1/4"	HS125HBP	1	SALCO PE
2	INSERT FLANGE 1 1/2" 150 LB	HS15FLP	1	SALCO PE



FOR 1 1/4" HOSE

A	GDS	7-15-11	NEW DRAWING ADDED TO SYSTEM
REV	BY	DATE	DESCRIPTION

<small>UNLESS OTHERWISE SPECIFIED DIMENSIONAL TOLERANCES FRACTIONAL: ±1/16 X.XX: ±.03 X.XXX: ±.015 ANGULAR: ±1° DEBURR ALL SHARP EDGES. ALL MACHINED SURFACES TO HAVE A 125 RMS FINISH UNLESS NOTED OTHERWISE.</small>	DRAWN BY:	VD
	CHECKED BY:	PJG
	PROTOTYPE BY:	VD
	PROTOTYPE DATE:	2/8/2010
	APPROVED FOR PRODUCTION BY:	PJG
THIRD ANGLE PROJECTION	PRODUCTION DATE:	4/2/2009

SALCO PRODUCTS, INC.
Hazarsolve® Division

PART NAME:
FLANGED HOSE BARB 1 1/4"

MATERIAL: **SEE BOM**

PROJECT #: **WAG0771** SHEET #: **1 OF 1** SCALE: **1:1**

DRAWING #: **B28137** PART #: **HS125FTBPY**

THIS PRINT, PROPERTY OF SALCO PRODUCTS INC., CONTAINS PROPRIETARY INFORMATION AND MUST NOT BE COPIED, REPRODUCED, OR USED DETRIMENTALLY TO OUR INTEREST.

4 3 2 1