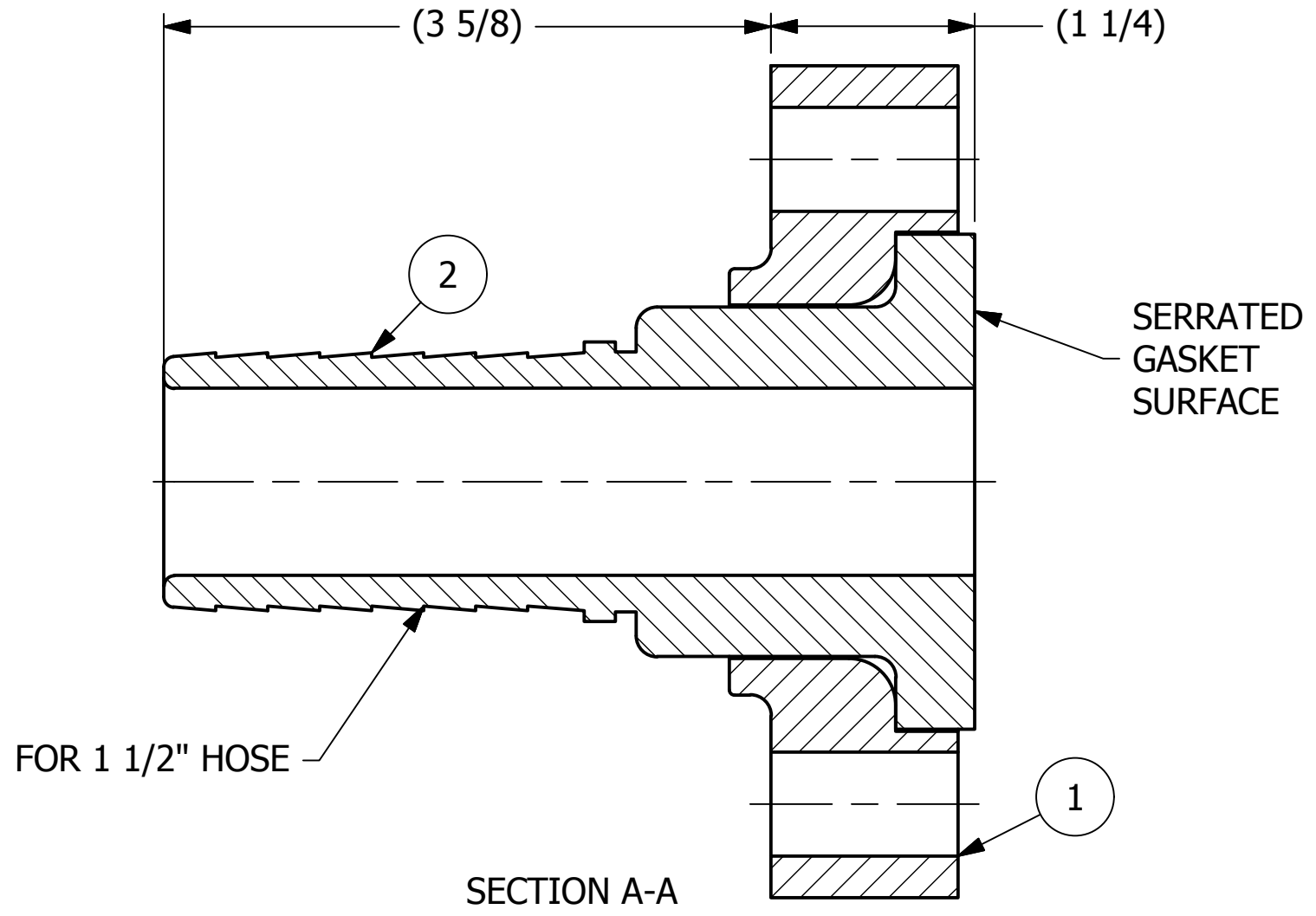
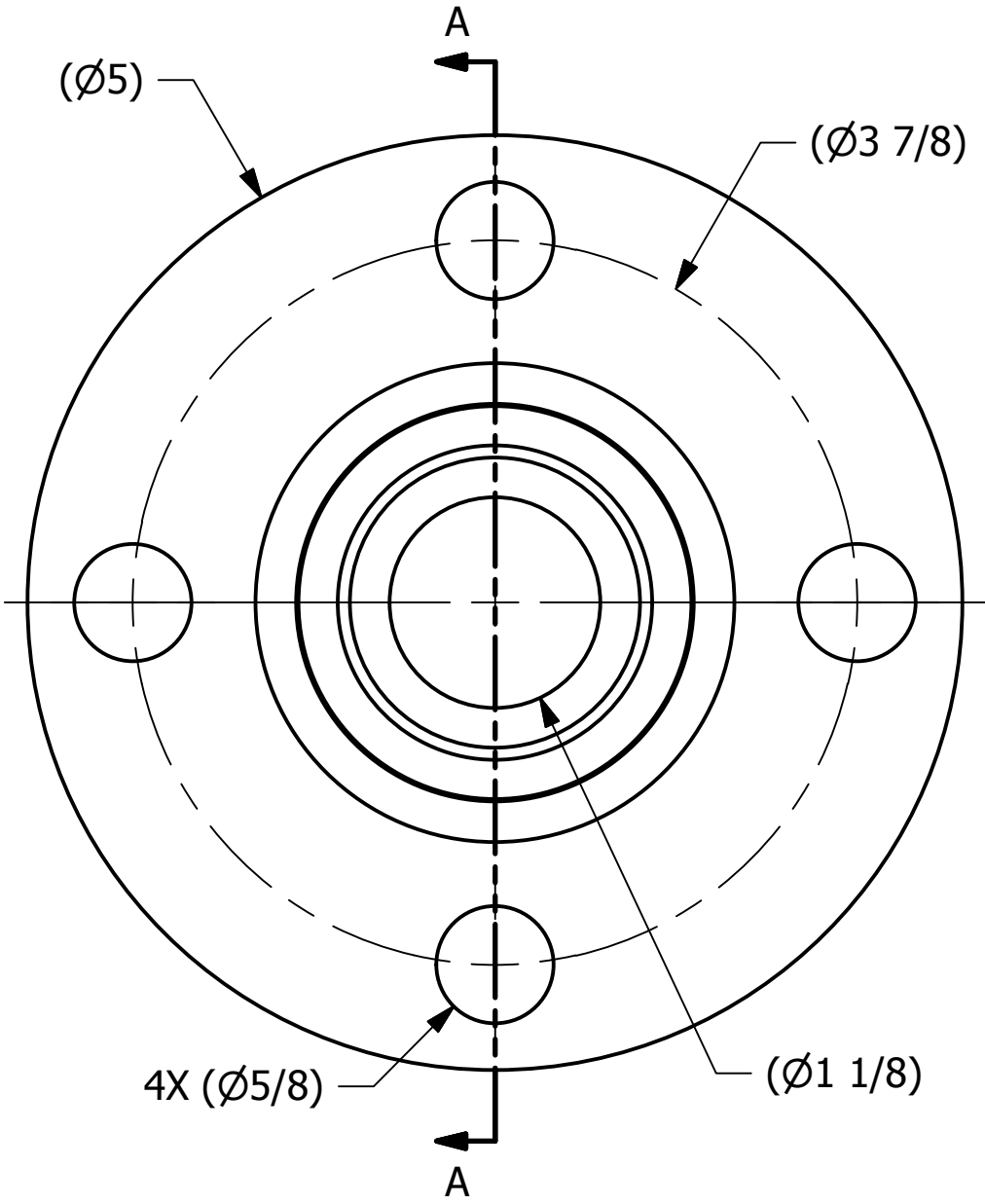


NO.	PART NAME	PART#	REQ'D	MATERIAL
1	INSERT FLANGE 1 1/2" 150 LB	HS15FLP	1	SALCO PE
2	HOSE BARB 1 1/2"	HS15HBP	1	SALCO PE



REV	BY	DATE	DESCRIPTION
B	JG	11-8-18	UPDATED TITLE BLOCK, VIEWS; CORRECTED HS15FLP PART NAME IN BOM (WAS 1 1/5" FLANGE)
A	CHL	4-2-09	NEW PART ADDED TO SYSTEM

UNLESS OTHERWISE SPECIFIED DIMENSIONAL TOLERANCES FRACTIONAL: ±1/16 X.XX: ±.03 X.XXX: ±.015 ANGULAR: ±1° DEBURR ALL SHARP EDGES. ALL MACHINED SURFACES TO HAVE A 125 RMS FINISH UNLESS NOTED OTHERWISE.	DRAWN BY:	CHL
	CHECKED BY:	PJG
	PROTOTYPE BY:	CHL
	PROTOTYPE DATE:	9/21/2007
	APPROVED FOR PRODUCTION BY:	PJG
	PRODUCTION DATE:	4/2/2009

SALCO PRODUCTS, INC.

PART NAME: **FLANGED HOSE BARB 1 1/2"**

MATERIAL: **SEE BOM**

PROJECT #: **030708** SHEET #: **1 OF 1** SCALE: **1:1**

DRAWING #: **B24159** PART #: **HS15FTBPY**

THIS PRINT, PROPERTY OF SALCO PRODUCTS INC., CONTAINS PROPRIETARY INFORMATION AND MUST NOT BE COPIED, REPRODUCED, OR USED DETRIMENTALLY TO OUR INTEREST.