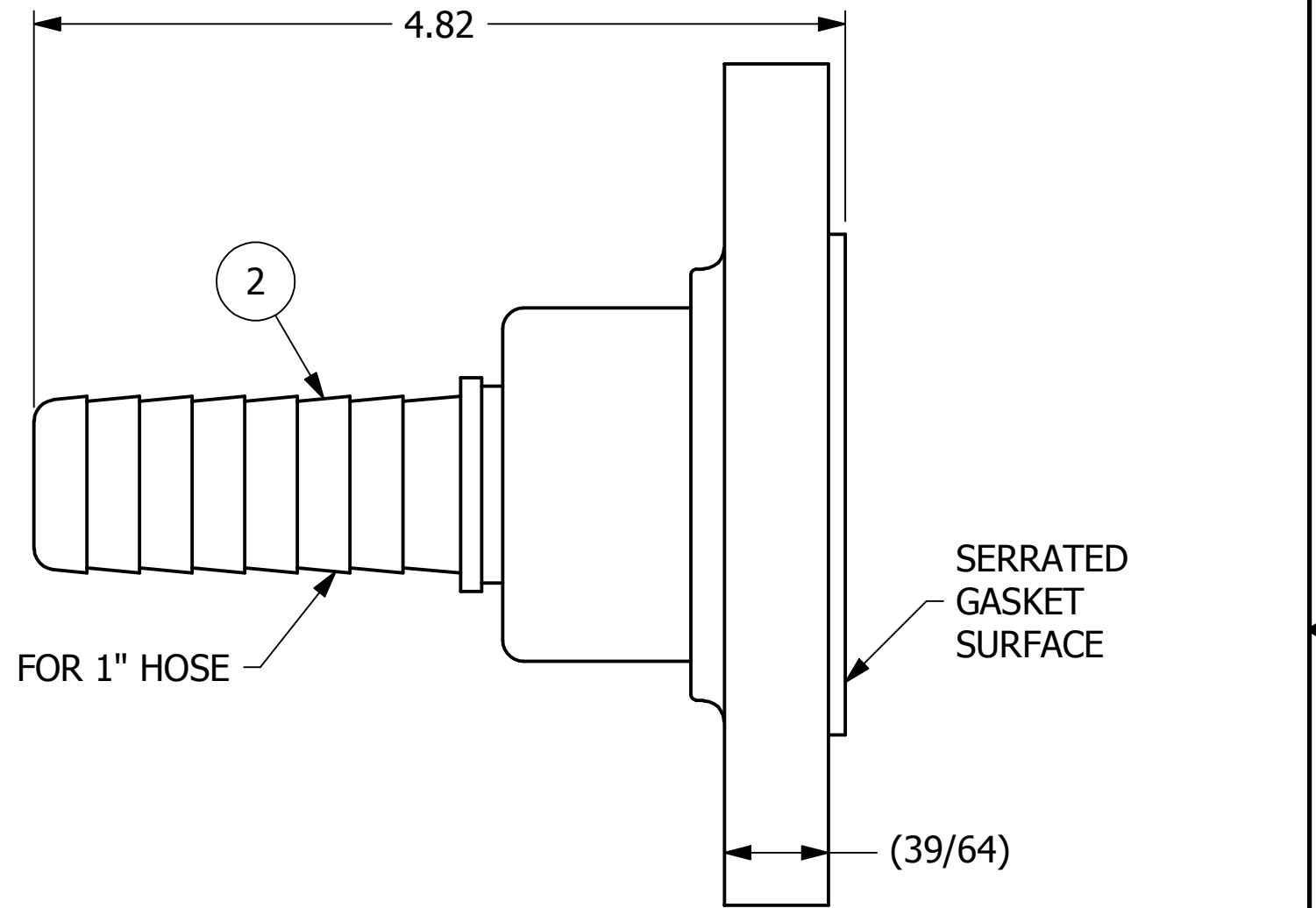


NO.	PART NAME	PART #	REQ'D	MATERIAL
1	INSERT FLANGE 1 1/2" 150 LB	HS15FLS4	1	304 SS
2	HOSE BARB INSERT 1"X1 1/2"	HS115HBP	1	SALCO PE



A	KHK	4-4-13	RELEASED FOR PRODUCTION
REV	BY	DATE	DESCRIPTION

UNLESS OTHERWISE SPECIFIED DIMENSIONAL TOLERANCES	DRAWN BY:	REH
FRACTIONAL: $\pm 1/16$	CHECKED BY:	WRB
X.XX: $\pm .03$	PROTOTYPE BY:	REH
X.XXX: $\pm .015$	PROTOTYPE DATE:	3/20/2012
ANGULAR: $\pm 1^\circ$	APPROVED FOR PRODUCTION BY:	WRB
THIRD ANGLE PROJECTION	PRODUCTION DATE:	3/20/2012

SALCO PRODUCTS, INC.

PART NAME: **FLANGED HOSE BABR 1 1/2"X1"**

MATERIAL: **SEE BOM**

PROJECT #: **031212BD** SHEET #: **1 OF 1** SCALE: **1:1**

DRAWING #: **B32754** PART #: **HS15X1FTBSS**

THIS PRINT, PROPERTY OF SALCO PRODUCTS INC., CONTAINS PROPRIETARY INFORMATION AND MUST NOT BE COPIED, REPRODUCED, OR USED DETRIMENTALLY TO OUR INTEREST.