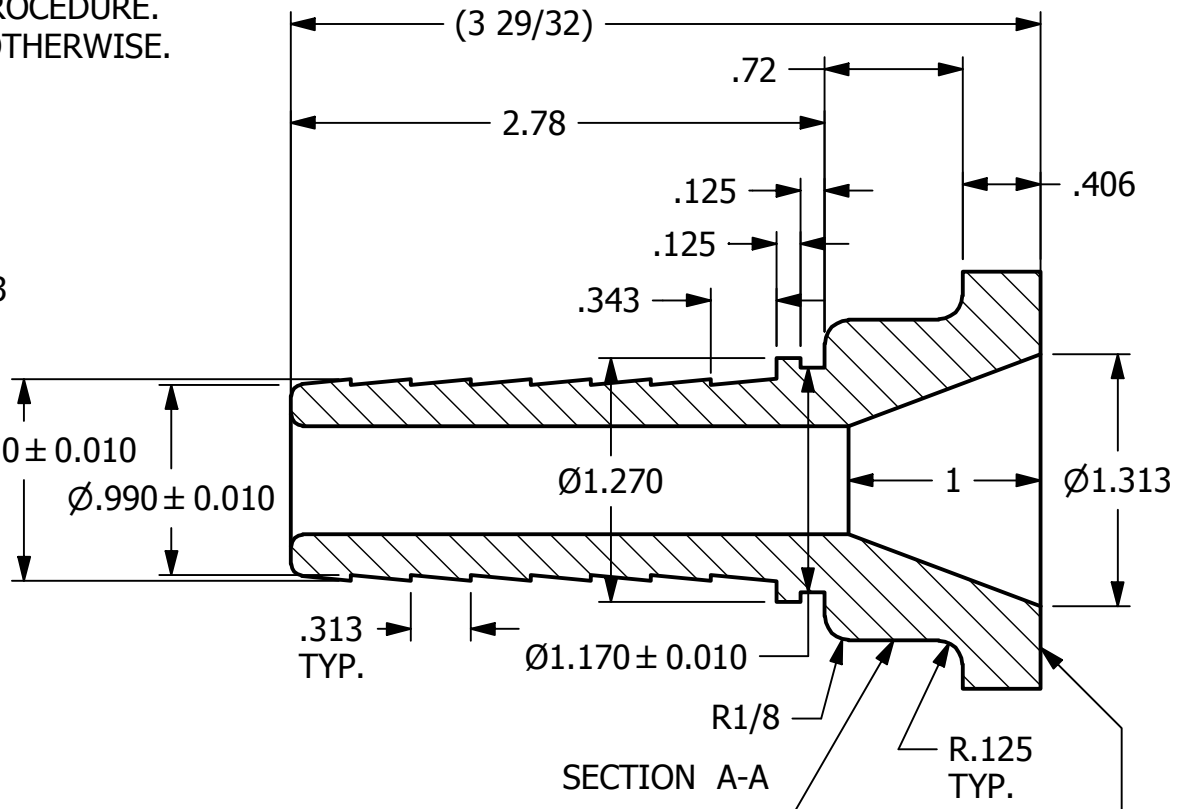
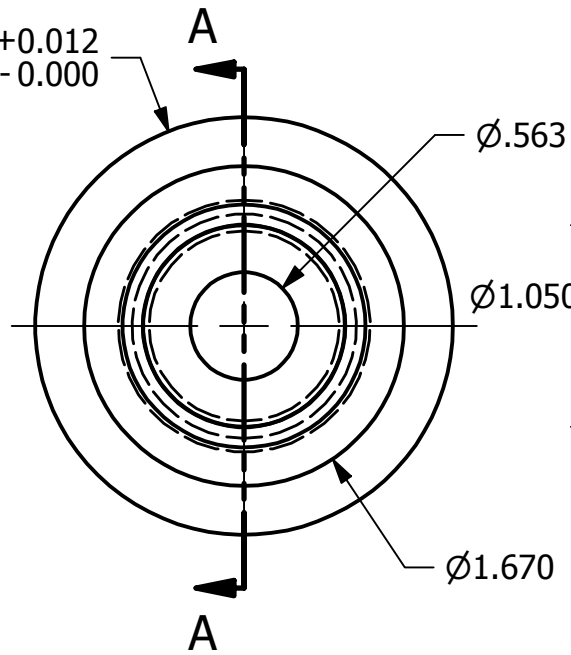


NOTES:

1. SEE DOCUMENT DSS 1 FOR MATERIAL SPECIFICATIONS.
2. SEE DOCUMENT DSS 5 FOR SERRATED GASKET SURFACE.
3. SEE DOCUMENT Q-2.14 FOR MARKING PROCEDURE.
4. ALL RADII TO BE 1/16" UNLESS NOTED OTHERWISE.

NO.	PART NAME	PART#	REQ'D	MATERIAL
1	ROUND BAR 4"	RNDBAR4UHDB	.33 FT	SALCO PE



MARK PER Q-2.14
TEXT HEIGHT .1" MIN

REV	BY	DATE	DESCRIPTION
B	WEB	4-13-18	UPDATED TITLEBLOCK, ADDED NOTES 2,3,&4
A	VD	09-21-10	REV. NOTE, ADDED BOM AND GROOVE.

<small>UNLESS OTHERWISE SPECIFIED DIMENSIONAL TOLERANCES FRACTIONAL: ±1/16 X.XX: ±.03 X.XXX: ±.015 ANGULAR: ±1° DEBURR ALL SHARP EDGES. ALL MACHINED SURFACES TO HAVE A 125 RMS FINISH UNLESS NOTED OTHERWISE. THIRD ANGLE PROJECTION</small>	DRAWN BY:	ACC
	CHECKED BY:	PJG
	PROTOTYPE BY:	ACC
	PROTOTYPE DATE:	12/2/2005
	APPROVED FOR PRODUCTION BY:	
	PRODUCTION DATE:	

SALCO PRODUCTS, INC.

PART NAME:
HOSE BARB INSERT 1"

MATERIAL: **SEE NOTE**

PROJECT #: **030708** SHEET #: **1 OF 1** SCALE: **1:1**

DRAWING #: **A21294** PART #: **HS1HBP**