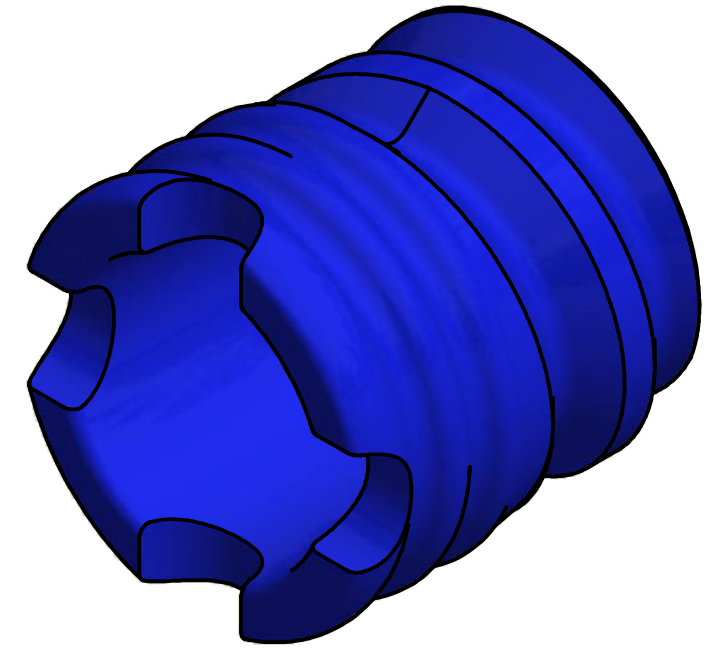
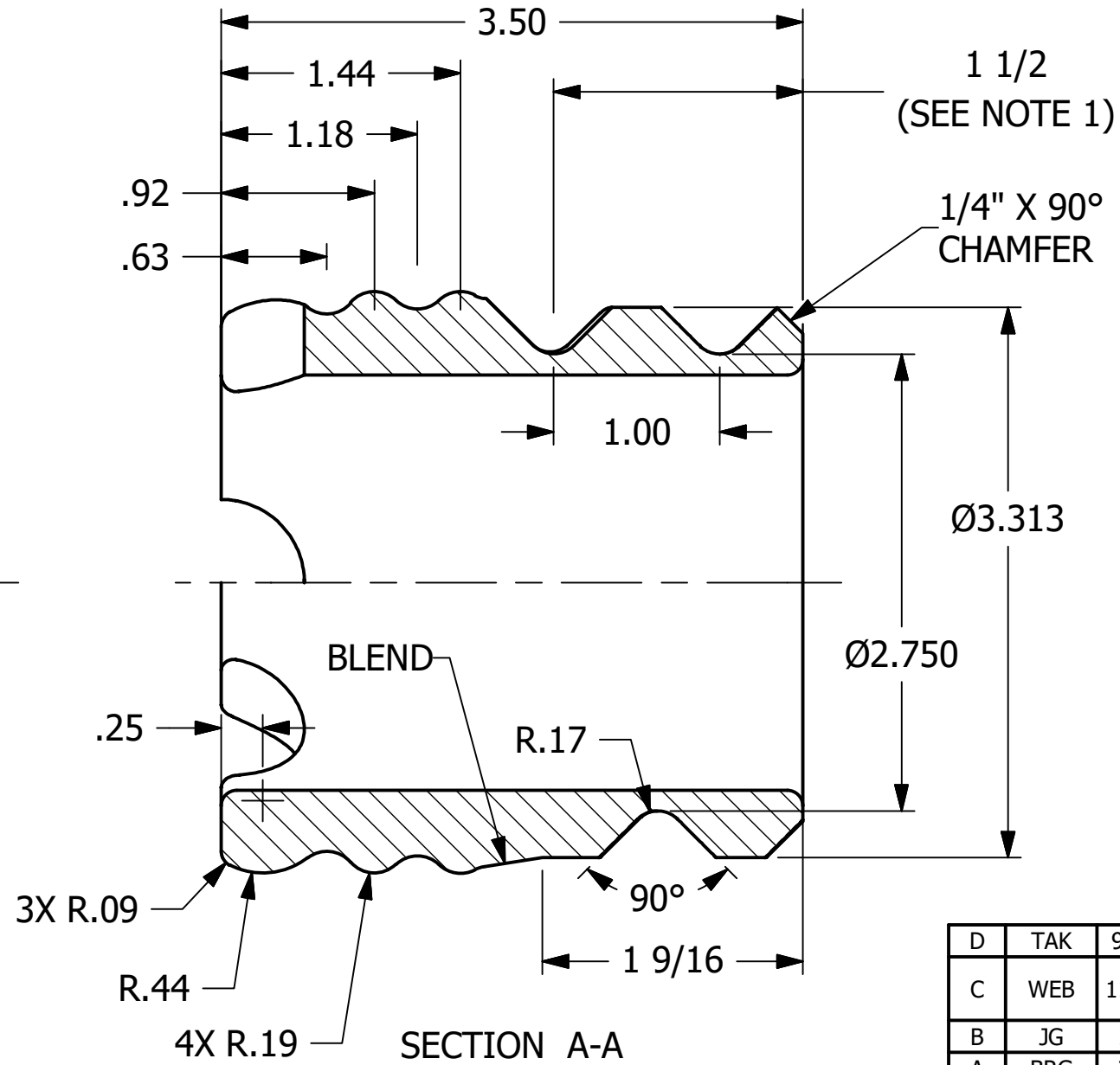
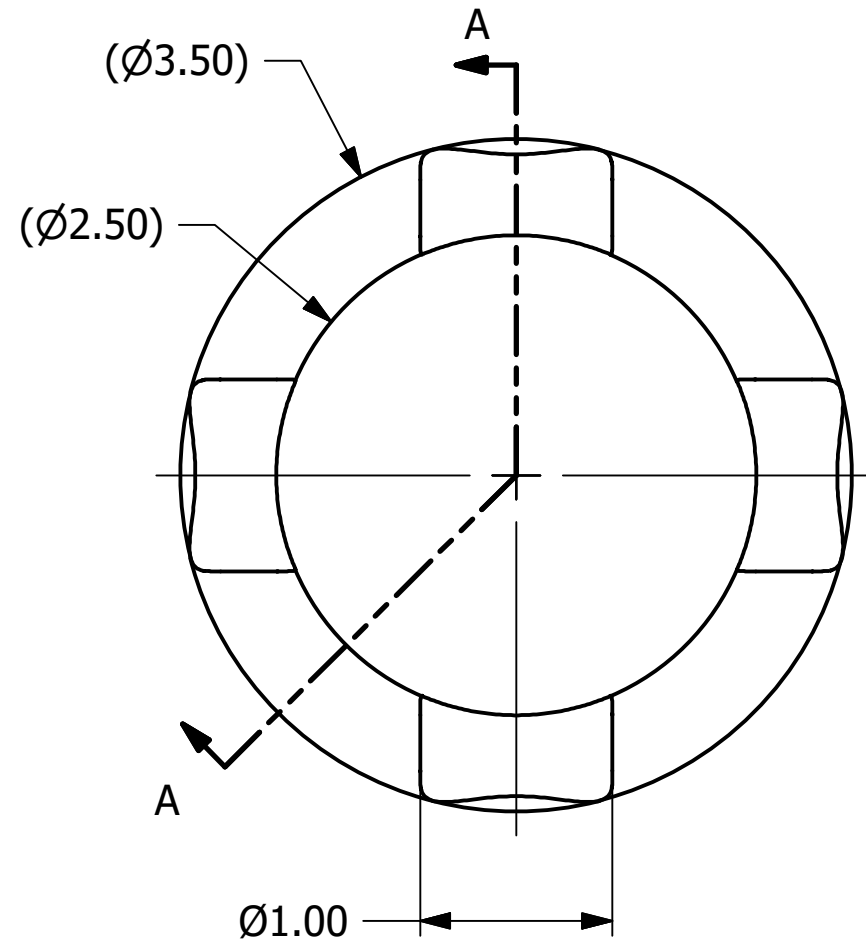


NO.	PART NAME	PART#	REQ'D	MATERIAL
1	ROUND TUBE 3 1/2"	HSRTB3525115UHDB	.03	SALCO PE



ISOMETRIC VIEW

REV	BY	DATE	DESCRIPTION
D	TAK	9-23-19	UPDATED BOM REQ'D MAT'L FROM .05 TO .03
C	WEB	11-14-17	REPLACED .31 RNDTUBE3525UHDB W/ .05 HSRTB3525115UHDB
B	JG	1-9-17	UPDATED TITLEBLOCK, NOTES
A	BRG	2-6-09	NEW PART ADDED TO NETWORK

- NOTES:
1. THREADS VANISH OVER 1/4 TURN AFTER 1 1/2 PERFECT THREADS.
 2. SEE DOCUMENT DSS 1 FOR MATERIAL SPECIFICATIONS.
 3. MTR REQUIRED.

UNLESS OTHERWISE SPECIFIED DIMENSIONAL TOLERANCES	DRAWN BY:	PJG
FRACTIONAL: ±1/16	CHECKED BY:	
X.XX: ±.03	PROTOTYPE BY:	PJG
X.XXX: ±.015	PROTOTYPE DATE:	7/25/2008
ANGULAR: ±1°	APPROVED FOR PRODUCTION BY:	PJG
DEBURR ALL SHARP EDGES. ALL MACHINED SURFACES TO HAVE A 125 RMS FINISH UNLESS NOTED OTHERWISE.	PRODUCTION DATE:	2/6/2009
THIRD ANGLE PROJECTION		

SALCO PRODUCTS, INC.		
PART NAME: FLEX TUBE STRAINER		
MATERIAL: SEE BOM/NOTES		
PROJECT #: 080724	SHEET #: 1 OF 1	SCALE: 1:1
DRAWING #: B25655	PART #: HS3FTSR2	