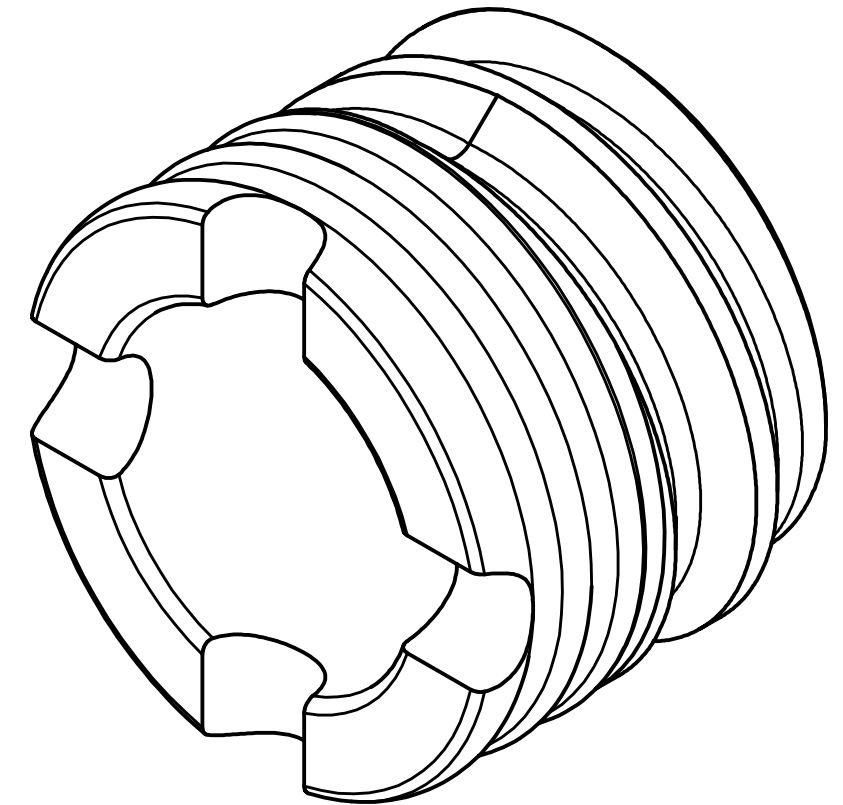
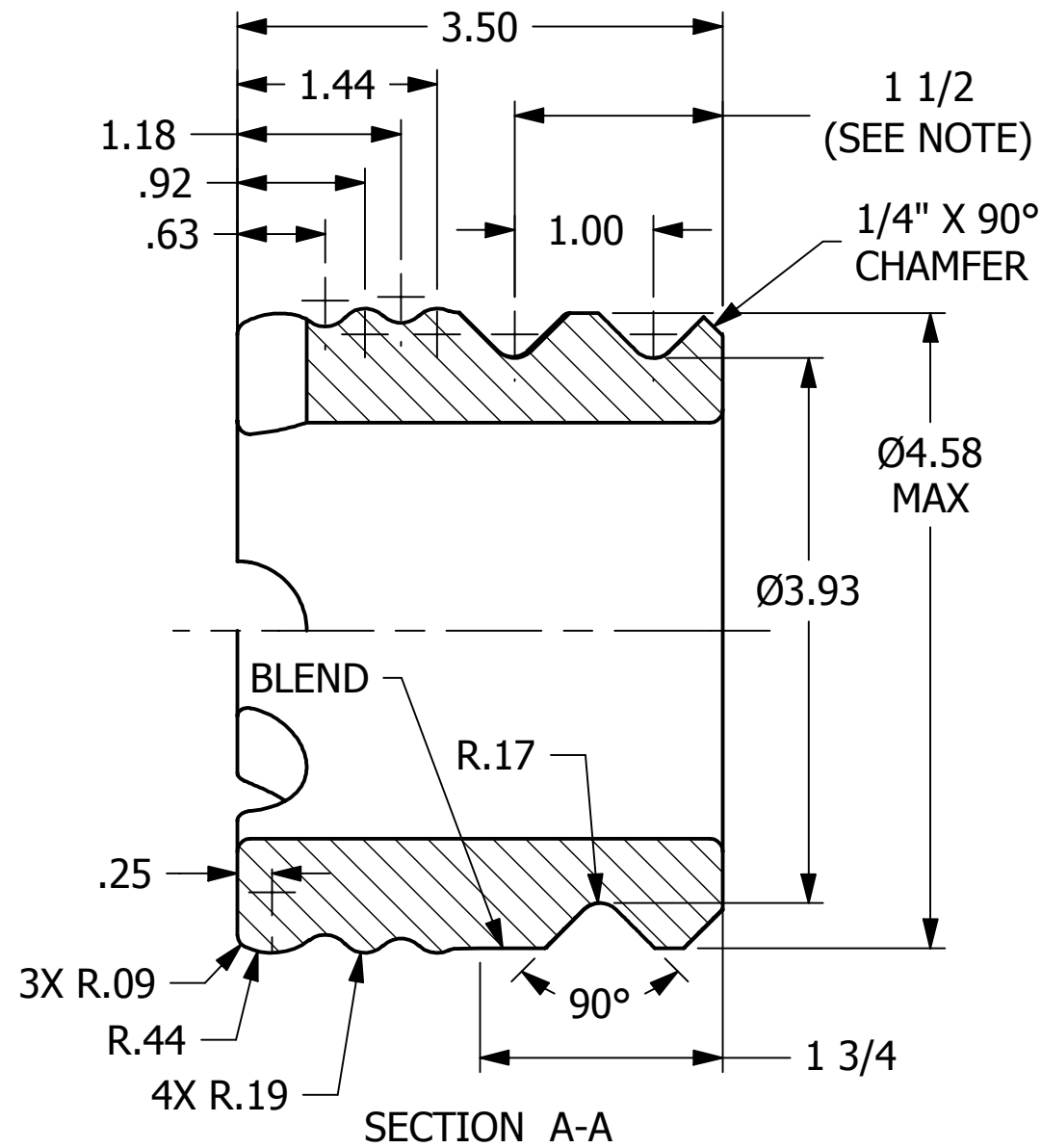
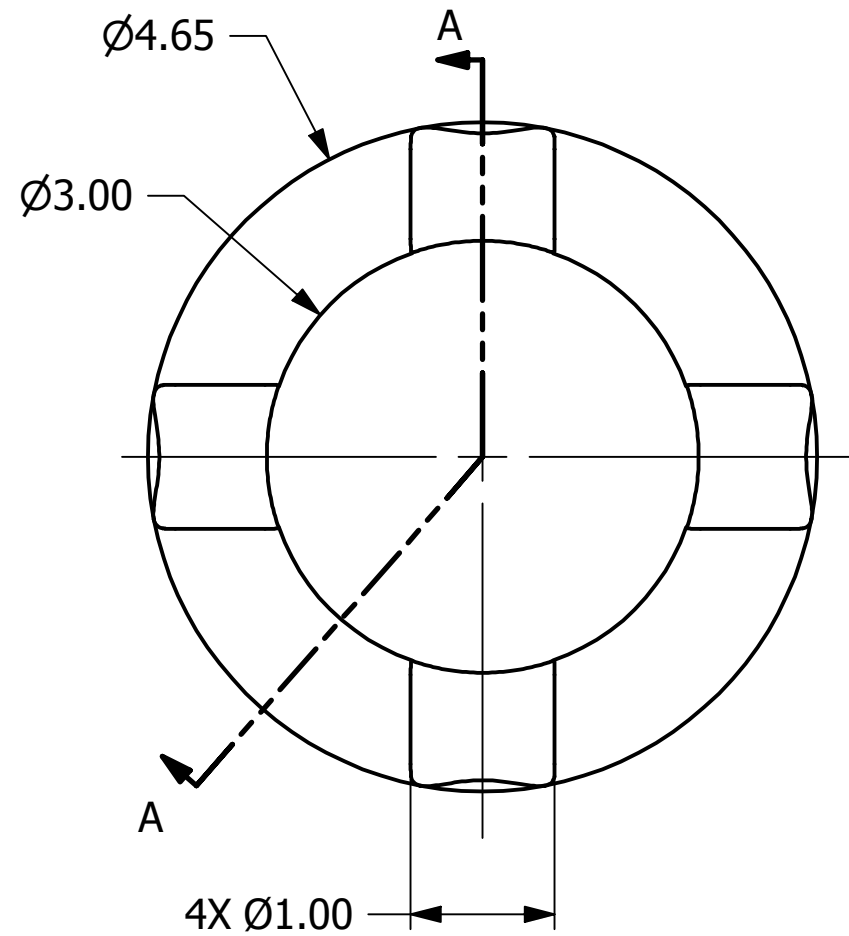


NO	PART NAME	PART #	REQ'D	MATERIAL
1	ROUND BAR 5"	RNDBAR5UHDB	.31 FT	SALCO PE



ISOMETRIC VIEW

- NOTES:
1. THREADS VANISH OVER 1/4 TURN AFTER 1 1/2 PERFECT THREADS.
 2. SEE DOCUMENT DSS 1 FOR MATERIAL SPECIFICATIONS.
 3. MTR REQUIRED.

REV	BY	DATE	DESCRIPTION
B	JG	2-7-17	UPDATED TITLEBLOCK, ADDED MTR NOTE; BOM QTY WAS .42 FT
A	WRB	4-25-11	NEW PART ADDED TO SYSTEM

UNLESS OTHERWISE SPECIFIED DIMENSIONAL TOLERANCES		DRAWN BY:	WRB
FRACTIONAL:	±1/16	CHECKED BY:	AJB
X.XX:	±.03	PROTOTYPE BY:	WRB
X.XXX:	±.015	PROTOTYPE DATE:	2/24/2011
ANGULAR:	±1°	APPROVED FOR PRODUCTION BY:	WRB
DEBURR ALL SHARP EDGES. ALL MACHINED SURFACES TO HAVE A 125 RMS FINISH UNLESS NOTED OTHERWISE.		PRODUCTION DATE:	4/25/2011
THIRD ANGLE PROJECTION			

SALCO PRODUCTS, INC.

PART NAME: **FLEX TUBE STRAINER**

MATERIAL: **SEE BOM**

PROJECT #: **110205** SHEET #: **1 OF 1** SCALE: **3:4**

DRAWING #: **B30280** PART #: **HS4FTSR**