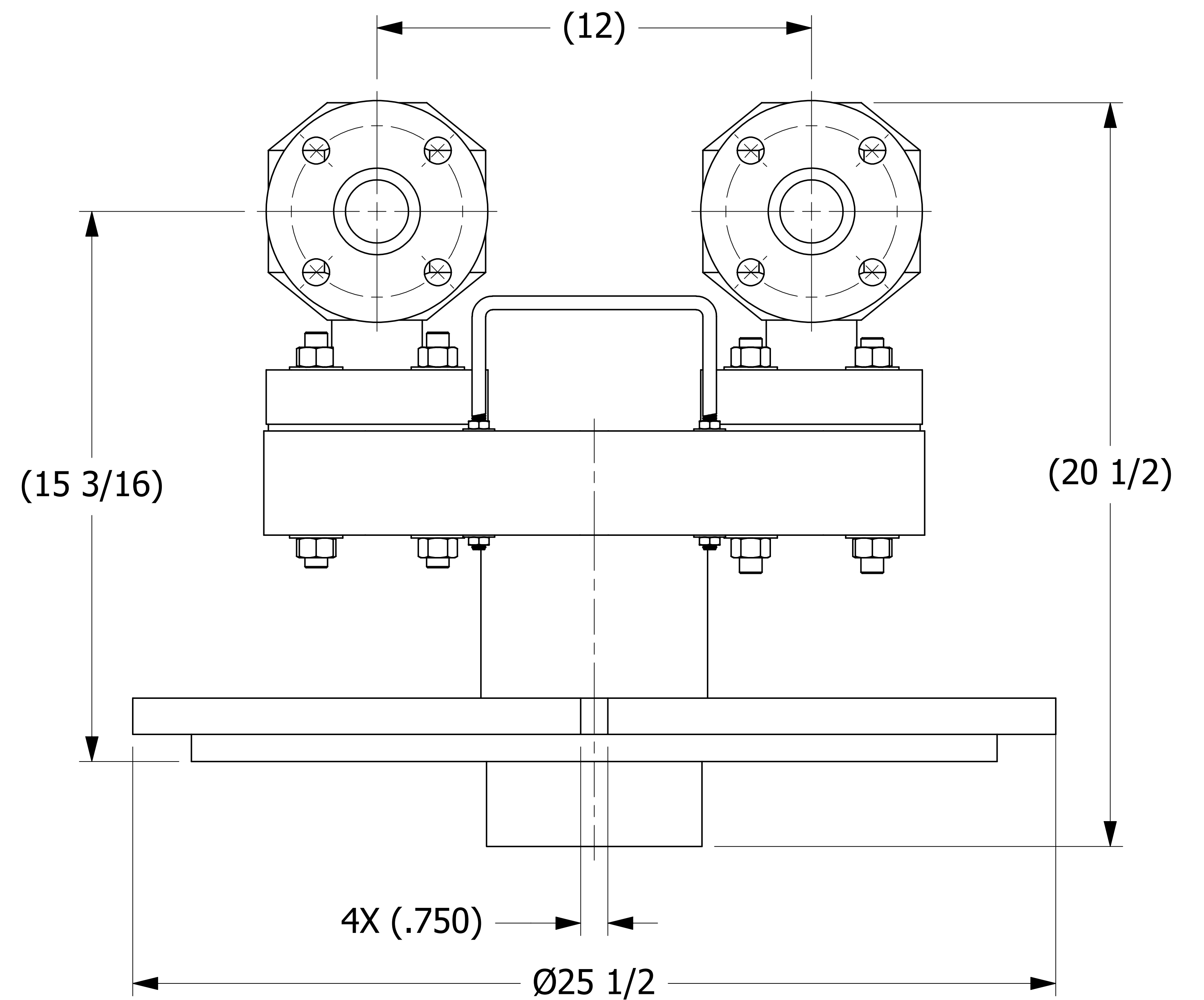
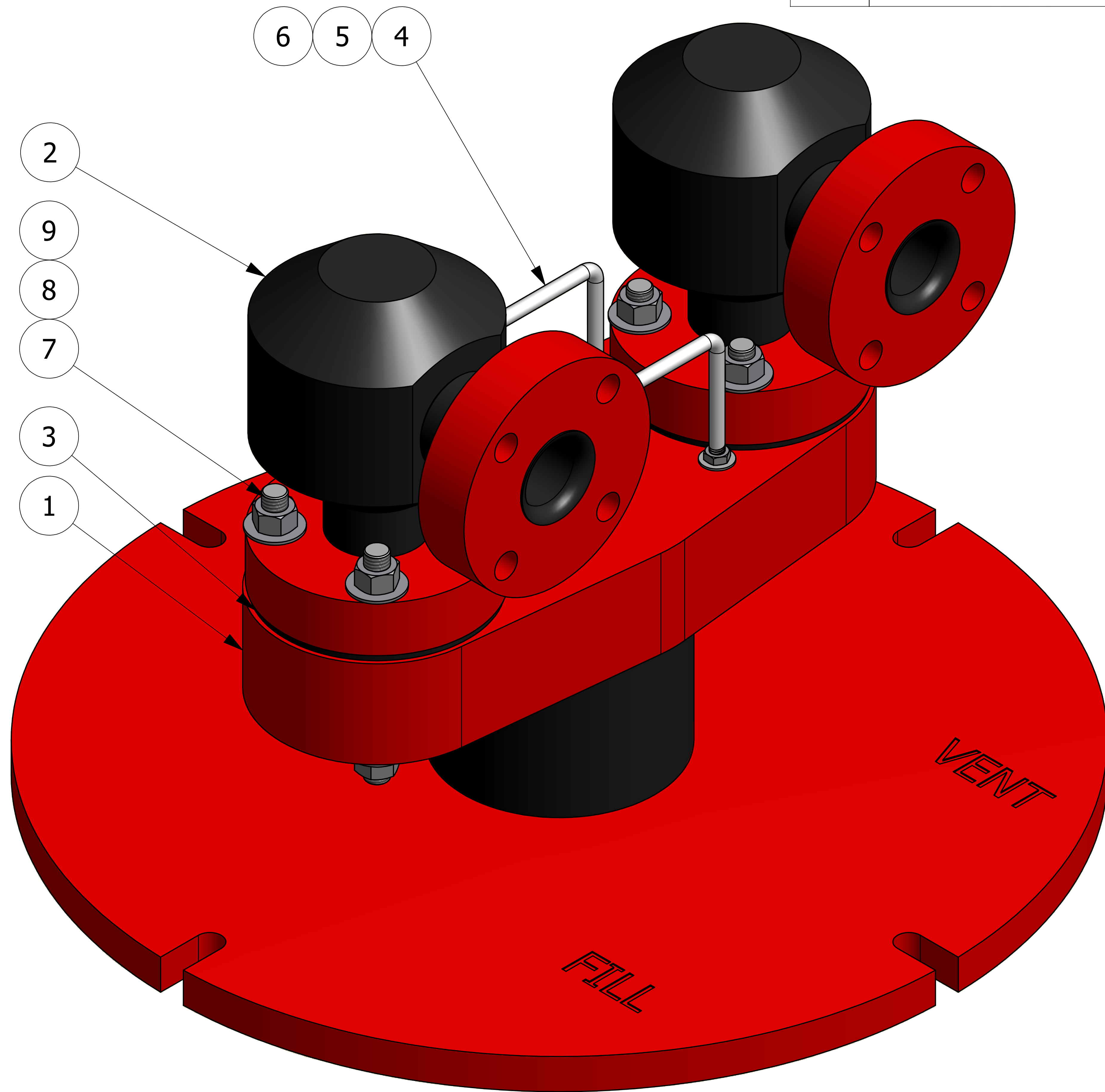


NO.	PART NAME	PART#	RE	MATERIAL
1	UNIVERSAL LOADING SPOUT 2" X 2" NPT	HSCSLSU01	1	SEE DWG
2	ELBOW 2"X90°	HS2X90PE4	2	SALCO PE
3	FLANGE GASKET 2" 150 LB	FG2215006	2	BLACK VITON A
4	U-BOLT 3/8-16 X 6"	A30323	2	304 SS
5	FLAT WASHER 3/8"	RP103MW	8	18-8 SS
6	HEX NUT 3/8"-16	FHN70712	8	18-8 SS
7	STUD 5/8"-11X6" FULL THREAD	STUD586SS	8	304 SS
8	FLAT WASHER 5/8"	WASH58SS	16	18-8 SS
9	HEX NUT 5/8"-11	NUT58SS	16	18-8 SS



NOTE:  
APPROXIMATE WEIGHT IS 50 LBS.

UNLESS OTHERWISE SPECIFIED DIMENSIONAL TOLERANCES FRACTIONAL: ±1/16 X.XX: ±.03 X.XX: ±.015 ANGULAR: ±1° DEBURR ALL SHARP EDGES. ALL MACHINED SURFACES TO HAVE A 125 RMS FINISH UNLESS NOTED OTHERWISE. THIRD ANGLE PROJECTION	DRAWN BY:	AJB
	CHECKED BY:	WRB
	PROTOTYPE BY:	AJB
	PROTOTYPE DATE:	2/25/2011
	APPROVED FOR PRODUCTION BY:	WRB
	PRODUCTION DATE:	4/28/2011

A	BRG	4/28/11	PART ADDED TO THE SYSTEM	
REV	BY	DATE	DESCRIPTION	
			<b>SALCO PRODUCTS, INC.</b> <i>Hazarsolve® Division</i>	
			PART NAME: <b>LOADING SPOUT ASSEMBLY 2"</b>	
			MATERIAL: <b>SEE BOM</b>	
PROJECT #:		100704	SHEET #:	1 OF 1
DRAWING #:		E 30285	PART #:	HSCSLSU01A01
			SCALE:	1:1