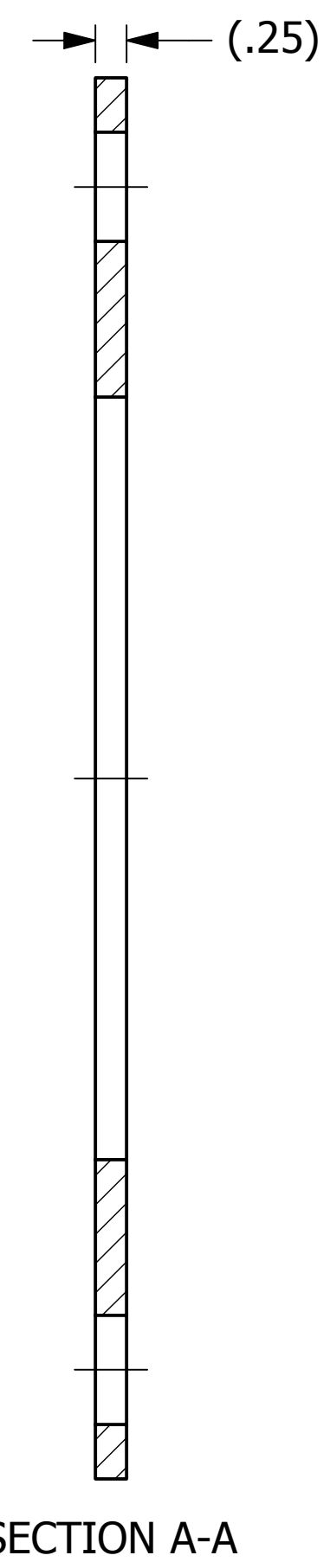
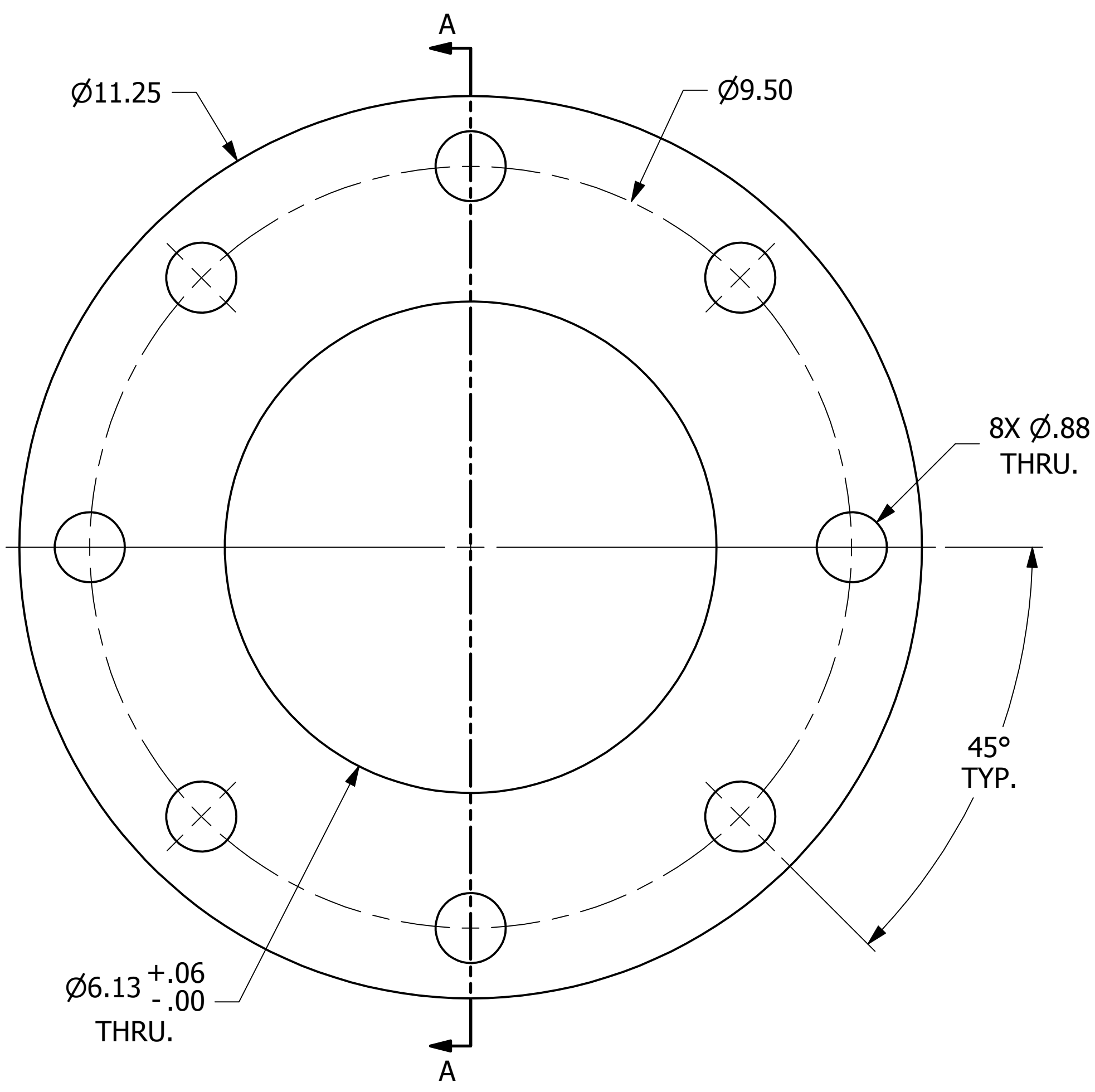


NO.	PART NAME	PART#	REQ'D	MATERIAL
1	SHEET 1/4"	SHT14UHN	.92 SQ FT	SALCO PE



SECTION A-A

NOTES:  
 1. SEE DOCUMENT DSS 1 FOR MATERIAL SPECIFICATIONS.  
 2. MTR REQUIRED.

REV	BY	DATE	DESCRIPTION
B	TAK	4-26-16	REPLACED SHT14UHW W/ SHT14UHN
A	TAK	6-19-15	RELEASED FOR PRODUCTION

UNLESS OTHERWISE SPECIFIED DIMENSIONAL TOLERANCES FRACTIONAL: $\pm 1/16$ X.XX: $\pm .03$ X.XXX: $\pm .015$ ANGLE: $\pm 1^\circ$ DEBURR ALL SHARP EDGES. ALL MACHINED SURFACES TO HAVE A 125 RMS FINISH UNLESS NOTED OTHERWISE. THIRD ANGLE PROJECTION	DRAWN BY:	CHL
	CHECKED BY:	WRB
	PROTOTYPE BY:	CHL
	PROTOTYPE DATE:	10/27/2011
	APPROVED FOR PRODUCTION BY:	TAK
	PRODUCTION DATE:	6/19/2015

<b>SALCO PRODUCTS, INC.</b>		
PART NAME: <b>SPACER FLANGE 6" 150 LB</b>		
MATERIAL: <b>SEE BOM/NOTE</b>		
PROJECT #: <b>111027</b>	SHEET #: <b>1 OF 1</b>	SCALE: <b>3:4</b>
DRAWING #: <b>C31841</b>	PART #: <b>HSSF31841</b>	