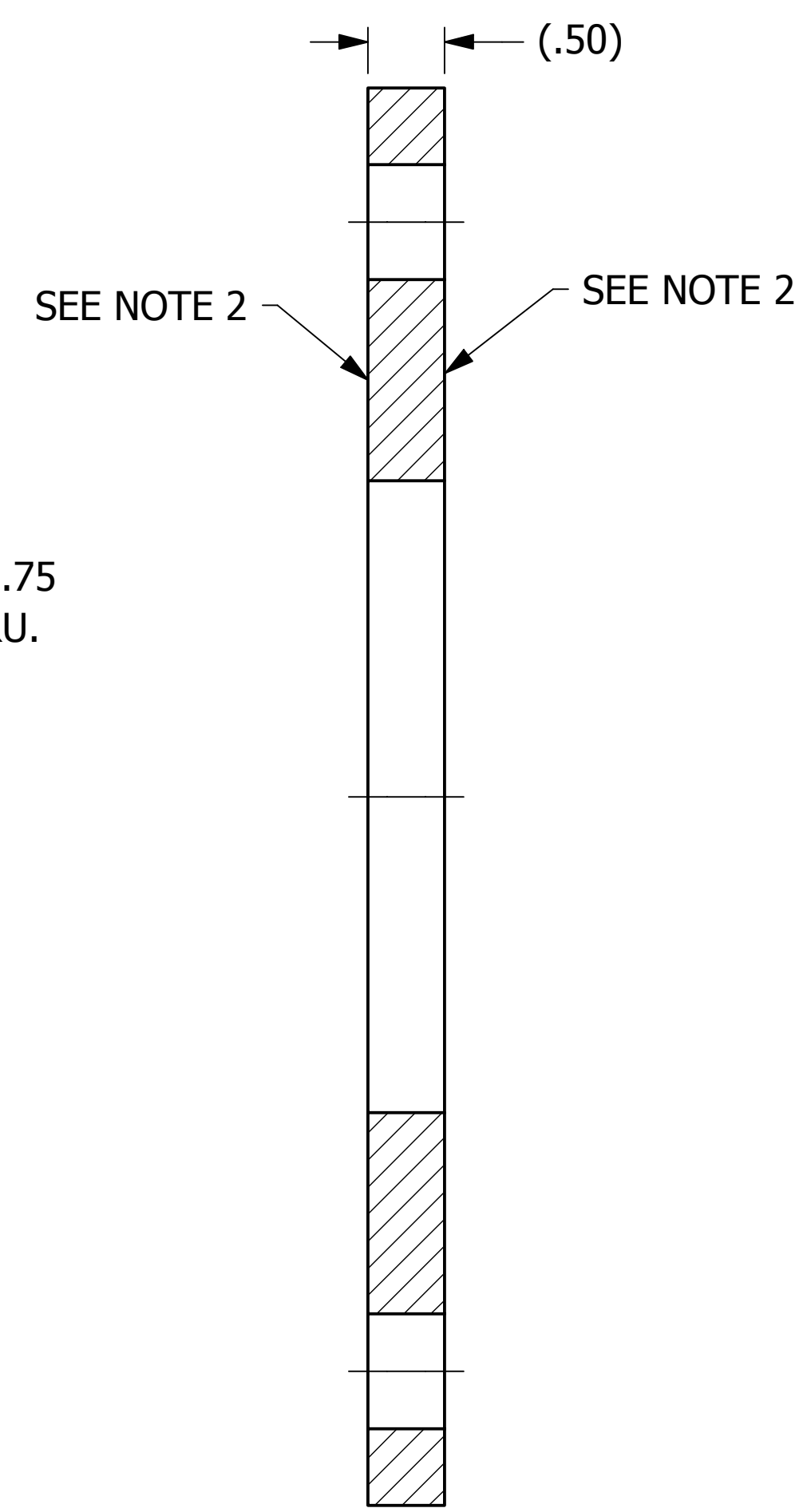
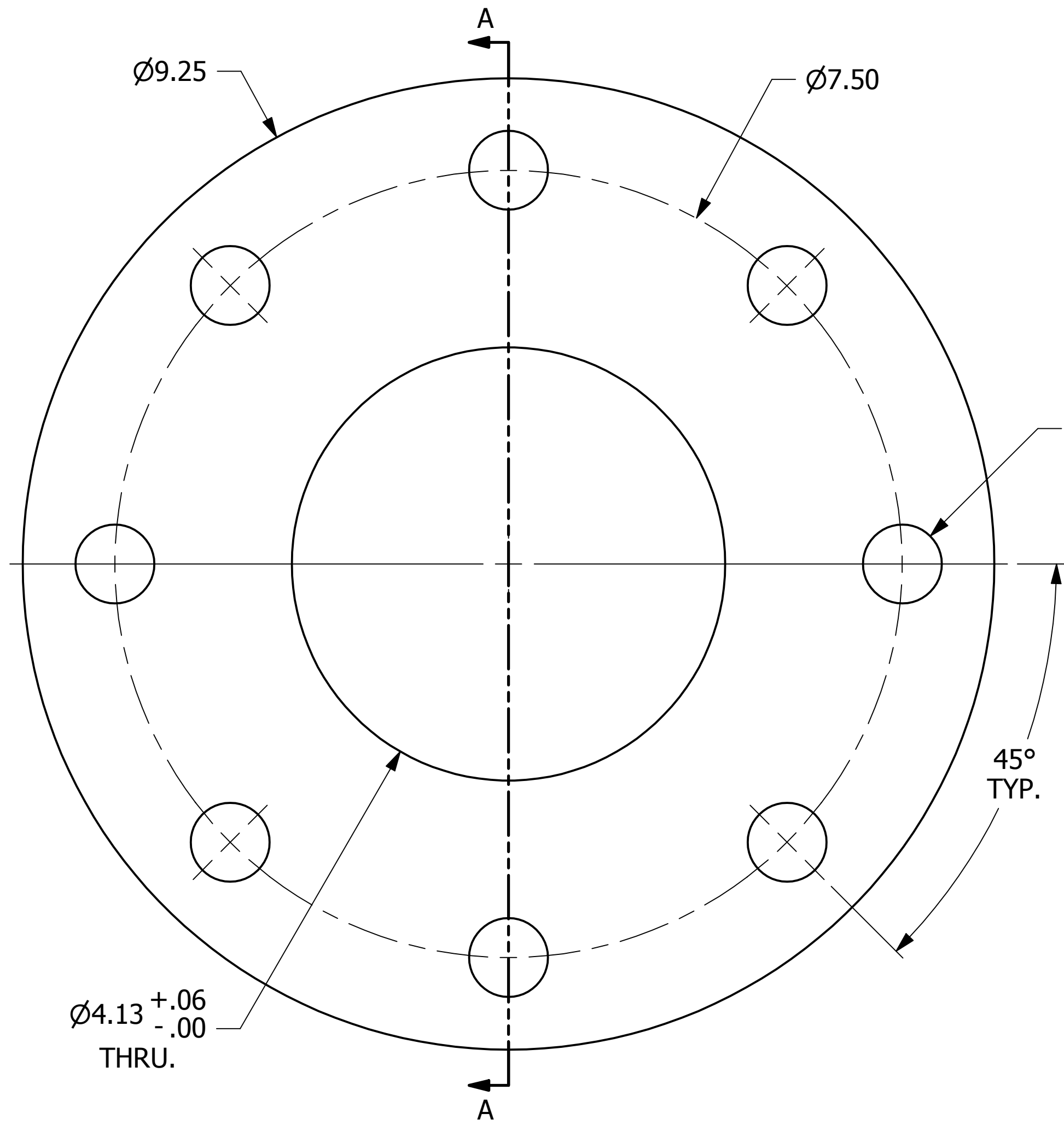


NO.	PART NAME	PART #	REQ'D	MATERIAL
1	SHEET 1/2"	SHT05UHN	.63 SQ FT	SALCO PE



SECTION A-A

- NOTES:
1. SEE DOCUMENT DSS 1 FOR MATERIAL SPECIFICATIONS.
 2. SEE DOCUMENT DSS 5 FOR SERRATED GASKET SURFACE SPECIFICATIONS.
 3. MTR REQUIRED.

REV	BY	DATE	DESCRIPTION
B	TAK	4-26-16	REPLACED SHT05UHW W/ SHT05UHN, ADDED MTR NOTE, UPDATED TITLE BLOCK
A	BG	9-14-12	NEW PART ADDED TO THE NETWORK

<small>UNLESS OTHERWISE SPECIFIED DIMENSIONAL TOLERANCES FRACTIONAL: ±1/16 X.XX: ±.03 X.XXX: ±.015 ANGLE: ±1° DEBURR ALL SHARP EDGES. ALL MACHINED SURFACES TO HAVE A 125 RMS FINISH UNLESS NOTED OTHERWISE.</small>	DRAWN BY:	JJK
	CHECKED BY:	CHL
	PROTOTYPE BY:	JJK
	PROTOTYPE DATE:	1/24/2012
	APPROVED FOR PRODUCTION BY:	CHL
	PRODUCTION DATE:	9/14/2012

SALCO PRODUCTS, INC.

PART NAME: **SPACER FLANGE 4" 150 LB**

MATERIAL: **SEE BOM/NOTE**

PROJECT #: **120124** SHEET #: **1 OF 1** SCALE: **1:1**

DRAWING #: **C32378** PART #: **HSSF32378**