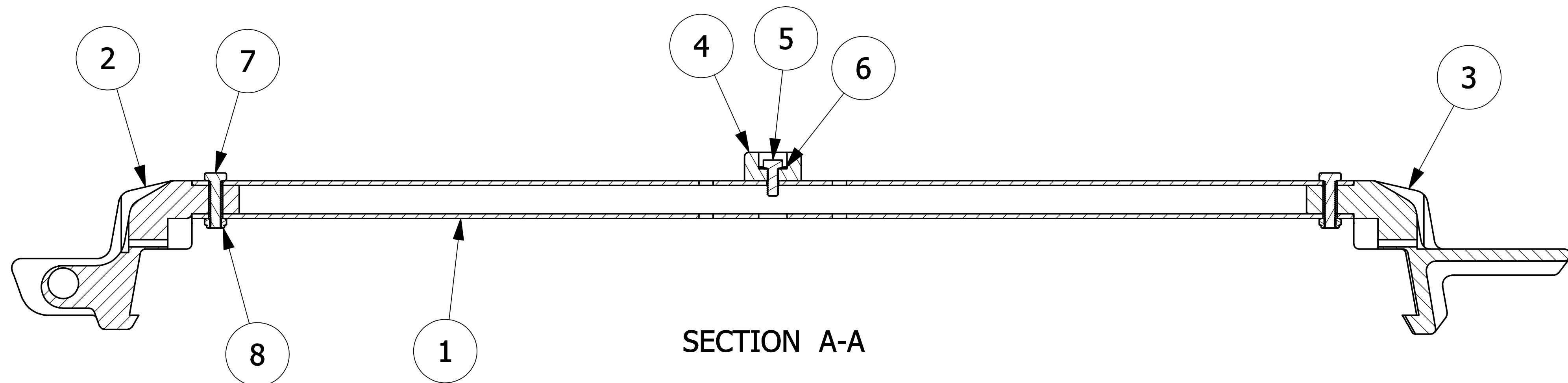
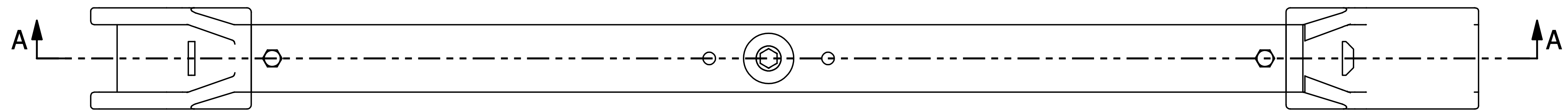


NO.	PART NAME	PART#	REQ	MATERIAL
1	HATCH COVER ARM	AE3007	1	ALUMINUM
2	HATCH COVER HINGE 30"	HEC30TR	1	ALUMINUM
3	LATCH CASTING 30"	LEC30TR	1	ALUMINUM
4	BUMPER	PHC30B	1	SBR
5	HEX BOLT 5/16"-18 X 3/4"	GA34	1	CS Z/P
6	SPRING WASHER 3/8"	KL103SW	1	1074 CS
7	HEX BOLT 5/16"-18 X 1 1/4"	R20ABS	2	18-8 SS
8	HEX LOCK NUT 5/16"-18	R20ANS	2	18-8 SS



A	PJG	1-29-08	NEW PART ADDED TO SYSTEM
REV	BY	DATE	DESCRIPTION
			SALCO PRODUCTS, INC.
			HATCH COVER ARM ASSEMBLY 30"
			SEE BOM
PROJECT #:		060314	SHEET #: 1 OF 1
DRAWING #:		D24348	SCALE: 1:2
PART #:		AE3007SALA	

UNLESS OTHERWISE SPECIFIED DIMENSIONAL TOLERANCES FRACTIONAL: ±1/16 X.XX: ±.03 X.XXX: ±.015 ANGULAR: ±1° THIS PRINT, PROPERTY OF SALCO PRODUCTS INC, CONTAINS PROPRIETARY INFORMATION AND MUST NOT BE COPIED, REPRODUCED, OR USED DETRIMENTALLY TO OUR INTEREST. THIRD ANGLE PROJECTION	DRAWN BY:	WRB
	CHECKED BY:	PJG
	PROTOTYPE BY:	WRB
	PROTOTYPE DATE:	10/30/2007
APPROVED FOR PRODUCTION BY:	PJG	
PRODUCTION DATE:	1/29/2008	