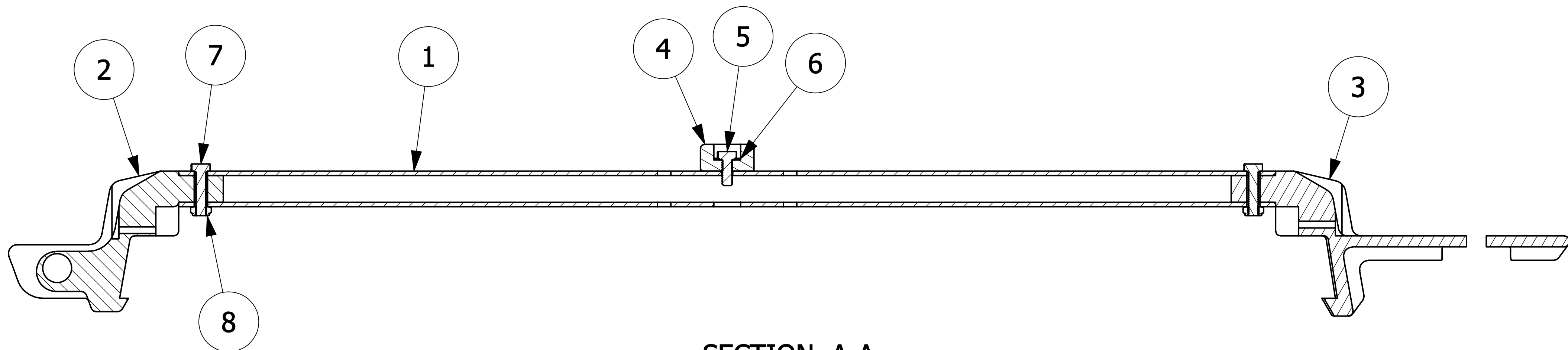
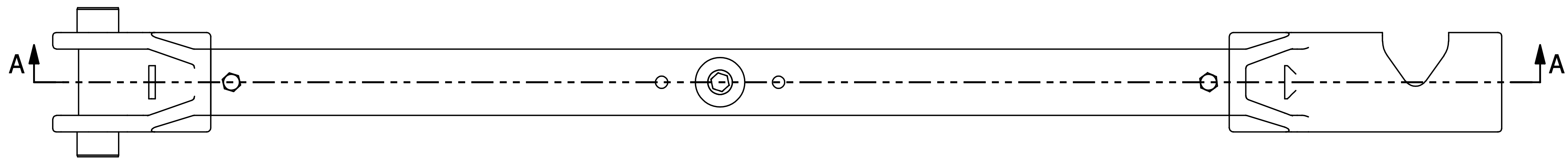


NO.	PART NAME	PART #	REQ'D	MATERIAL
1	HATCH COVER ARM	AE3007	1	ALUMINUM
2	HATCH COVER HINGE ASSEMBLY 30"	HEC3007TRA	1	SEE DWG
3	HATCH COVER LATCH END 30"	LEC30PST	1	ALUMINUM
4	BUMPER	PHC30B	1	SBR
5	HEX BOLT 5/16"-18 X 3/4"	GA34	1	CS Z/P
6	SPRING WASHER 3/8"	KL103SW	1	1074 CS
7	HEX BOLT 5/16"-18 X 1 1/4"	R20ABS	2	18-8 SS
8	HEX LOCK NUT 5/16"-18	R20ANS	2	18-8 SS



SECTION A-A

A	PJG	8-25-08	NEW PART ADDED TO SYSTEM
REV	BY	DATE	DESCRIPTION

<small>UNLESS OTHERWISE SPECIFIED DIMENSIONAL TOLERANCES</small> FRACTIONAL: ±1/16 X.XX: ±.03 X.XXX: ±.015 ANGULAR: ±1° <small>THIS PRINT, PROPERTY OF SALCO PRODUCTS INC, CONTAINS PROPRIETARY INFORMATION AND MUST NOT BE COPIED, REPRODUCED, OR USED DETRIMENTALLY TO OUR INTEREST.</small> THIRD ANGLE PROJECTION	DRAWN BY:	WRB
	CHECKED BY:	PJG
	PROTOTYPE BY:	WRB
	PROTOTYPE DATE:	10/31/2007
	APPROVED FOR PRODUCTION BY:	PJG
PRODUCTION DATE:	8/25/2008	

**SALCO PRODUCTS, INC.**

**HATCH COVER ARM ASSEMBLY 30"**

MATERIAL: **SEE BOM**

PROJECT #: **060314**      SHEET #: **1 OF 1**      SCALE: **1:2**

DRAWING #: **D24350**      PART #: **AE3007TPSA**