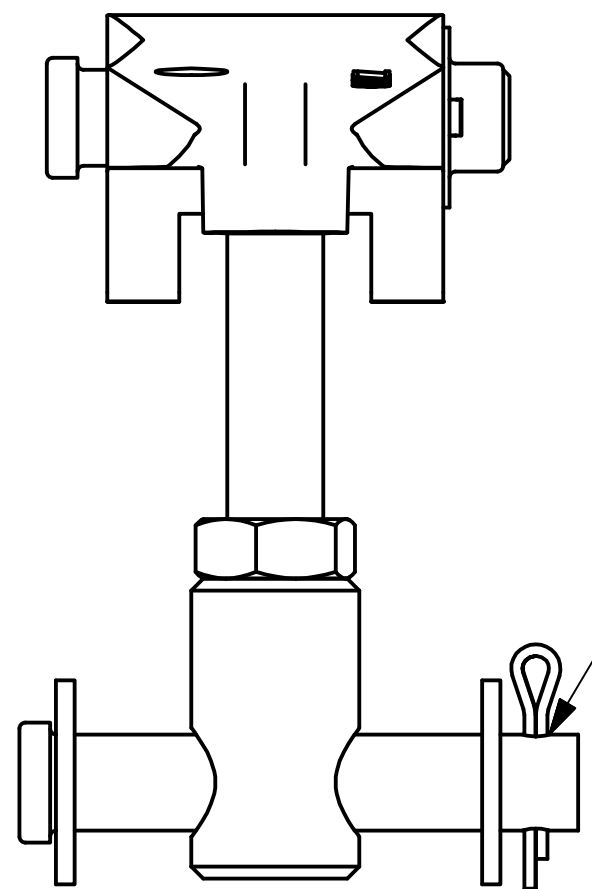
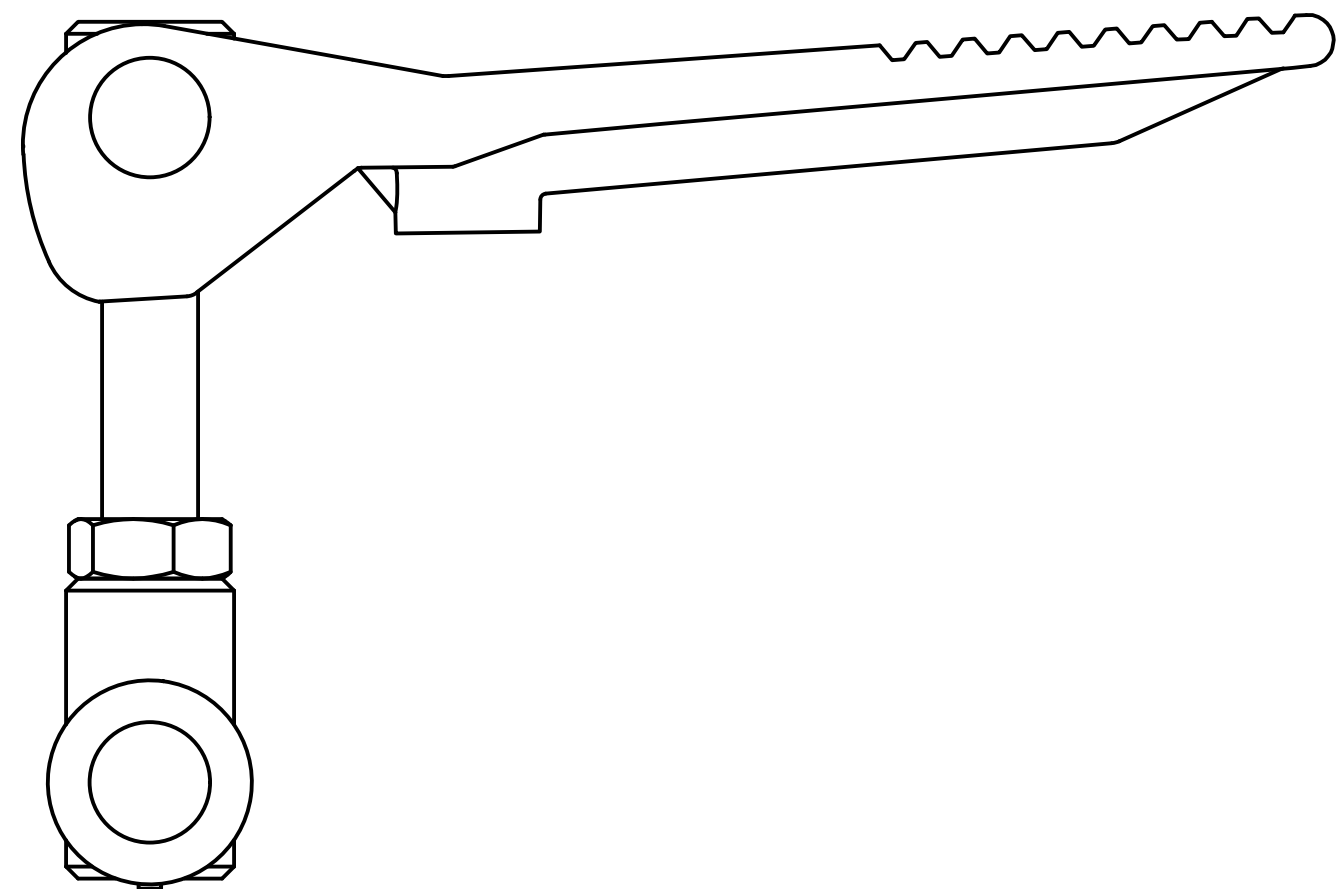
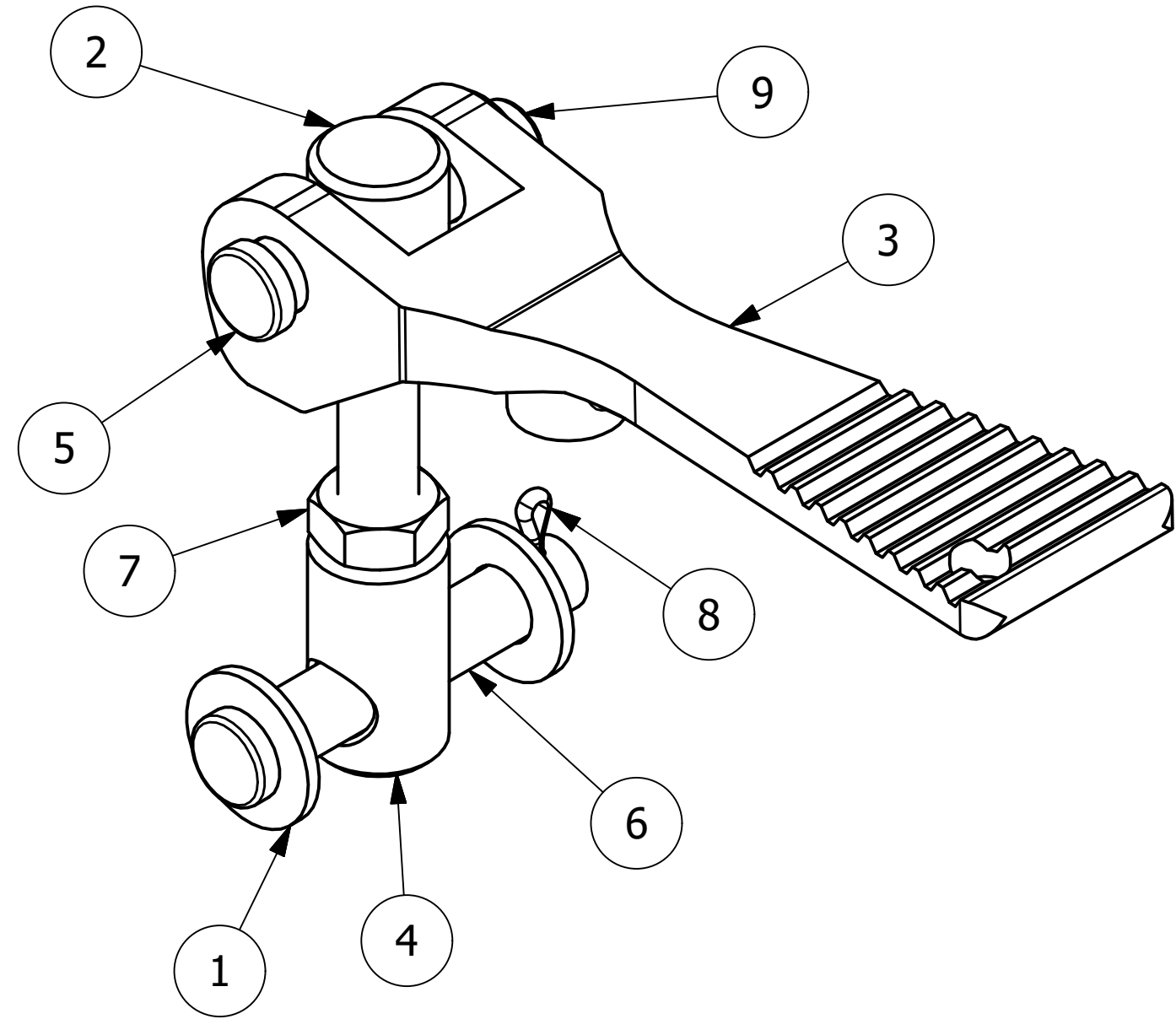
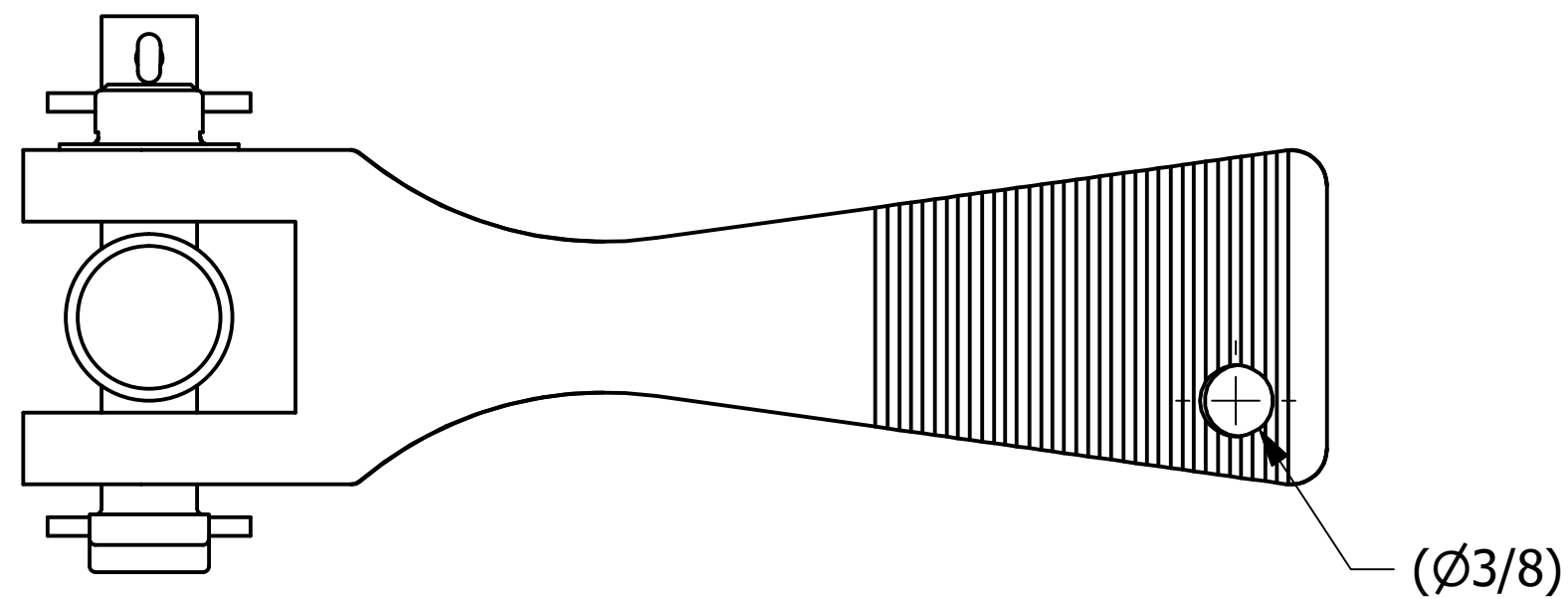


NO.	PART NAME	PART#	REQ'D	MATERIAL
1	FLAT WASHER 1/2" SAE	A20W	2	CS Z/P
2	CLAMP STUD 1/2"-20X2 13/16"	CLCSCZK	1	CARBON STEEL
3	CAM LEVER	CLCZ	1	CARBON STEEL
4	LATCH PIN 1/2"	CLLPCZK	1	CARBON STEEL
5	CLEVIS PIN 1/2"X2 1/4"	CLP12225CZ	1	CARBON STEEL
6	CLEVIS PIN 1/2"X2 3/4"	CLP12275CZ	1	CARBON STEEL
7	HEX JAM NUT 1/2"-20	JN12F	1	CS Z/P
8	COTTER PIN 1/8" X 3/4"	RF16271	1	18-8 SS
9	PAL NUT 1/2"	RFPN	1	NICKEL PLATED STEEL



SHIP WASHERS,
CLEVIS, AND COTTER PINS
TO BE SHIPPED LOOSELY.

REV	BY	DATE	DESCRIPTION
C	WEB	11/26/19	REPLACED JN12 W/ JN12F; UPDATED VIEWS
B	JG	8-31-18	UPDATED CLCZ, UPDATED TO CURRENT DRAFTING STANDARDS
A	CHL	9/7/05	NEW PART ADDED TO SYSTEM

UNLESS OTHERWISE SPECIFIED DIMENSIONAL TOLERANCES FRACTIONAL: ±1/16 X.XX: ±.03 X.XXX: ±.015 ANGLE: ±1° DEBURR ALL SHARP EDGES. ALL MACHINED SURFACES TO HAVE A 125 RMS FINISH UNLESS NOTED OTHERWISE. THIRD ANGLE PROJECTION	DRAWN BY:	ACC
	CHECKED BY:	
	PROTOTYPE DATE:	4/28/2004
	APPROVED FOR PRODUCTION BY:	ACC
	PRODUCTION DATE:	9/7/2005
	SIZE:	C
DRAWING #:	19166	

SALCO PRODUCTS, INC.

PART NAME: **CAM LEVER ASSEMBLY**

MATERIAL: **SEE BOM**

PROJECT #: **010427B** SHEET #: **1 OF 1** SCALE: **1 : 1**

PART #: **CLCZKA**