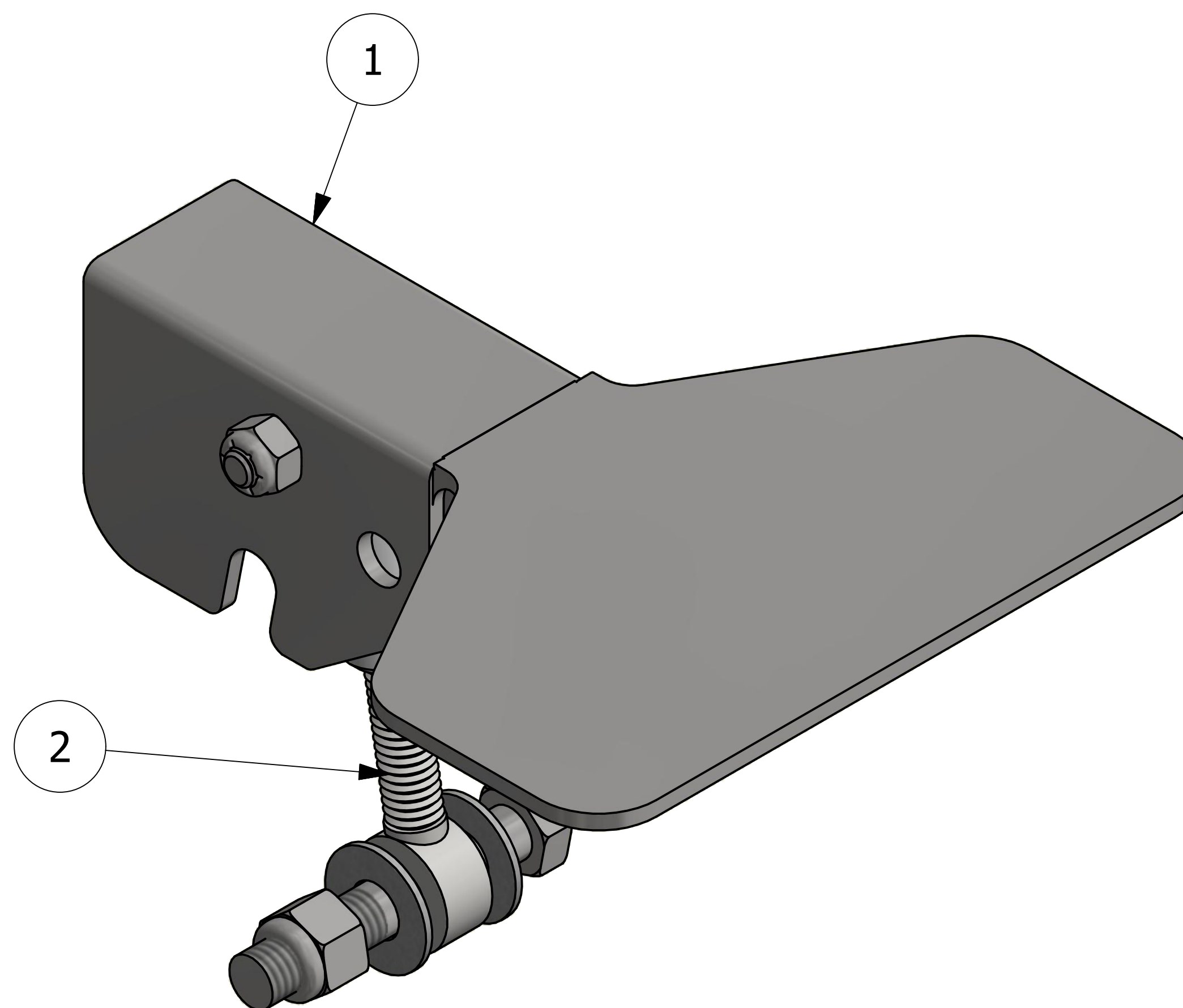
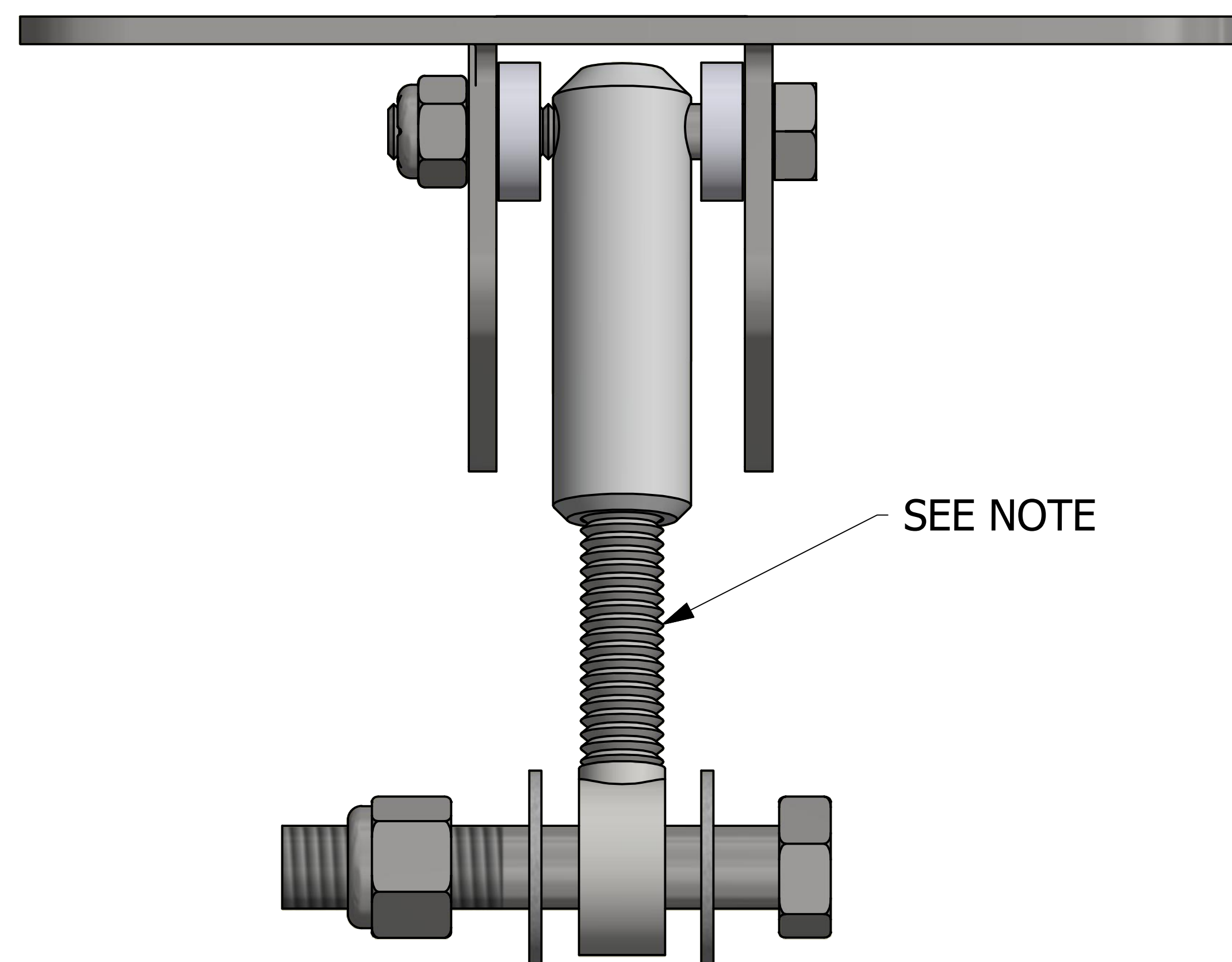


NO.	PART NAME	PART #	REQ'D	MATERIAL
1	HATCH COVER LATCH	LAL20LP	1	SS
2	HATCH COVER LATCH EYEBOLT ASSEMBLY	TE20BSA	1	SS/CS



NOTE:
APPLY JET-LUBE WHITE KNIGHT ANTI-SEIZE DURING ASSEMBLY

SEE NOTE

G	WEB	9-17-18	ADDED NOTE, UPDATED BOM MATERIAL
F	REH	02-18-10	DELETED NOTES UPDATED DRWING & ADDED BOM
E	CHL	01-11-01	ADDED SUBASSEMBLIES AND NOTES
D	FOD	12-18-98	CHANGED DESCRIPTION OF MATERIAL #1
C	MRC	12-22-97	CHANGED DESCRIPTION OF EA111N AND TE20BS
B	MRC	08-19-97	CHANGED PART NUMBERS & ADDED NEW PARTS
A	MRC	07-12-97	MOVED CATCH PIN SPACER TO INSIDE OF LATCH
REV	BY	DATE	DESCRIPTION

UNLESS OTHERWISE SPECIFIED DIMENSIONAL TOLERANCES FRACTIONAL: $\pm 1/16$ X.XX: $\pm .015$ X.XXX: $\pm .005$ ANGULAR: $\pm 1^\circ$ DEBURR ALL SHARP EDGES. ALL MACHINED SURFACES TO HAVE A 125 RMS FINISH UNLESS NOTED OTHERWISE. THIRD ANGLE PROJECTION	DRAWN BY:	BRW
	CHECKED BY:	CHL
	PROTOTYPE BY:	BRW
	PROTOTYPE DATE:	8/15/1994
	APPROVED FOR PRODUCTION BY:	BRW
	PRODUCTION DATE:	8/15/1994

SALCO PRODUCTS, INC.

HATCH COVER LATCH ASSEMBLY 20"

MATERIAL: **SEE BOM**

PROJECT #: **RD9050620**

SHEET #: **1 OF 1**

SCALE: **2:1**

DRAWING #: **D7016**

PART #: **LAL20AS**