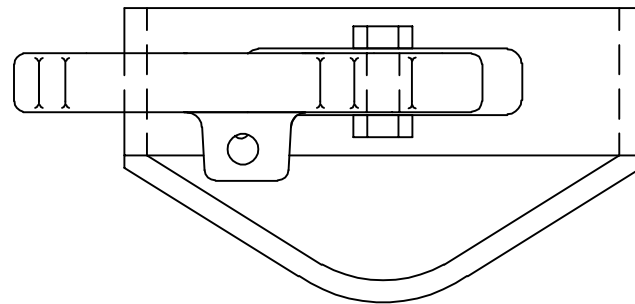
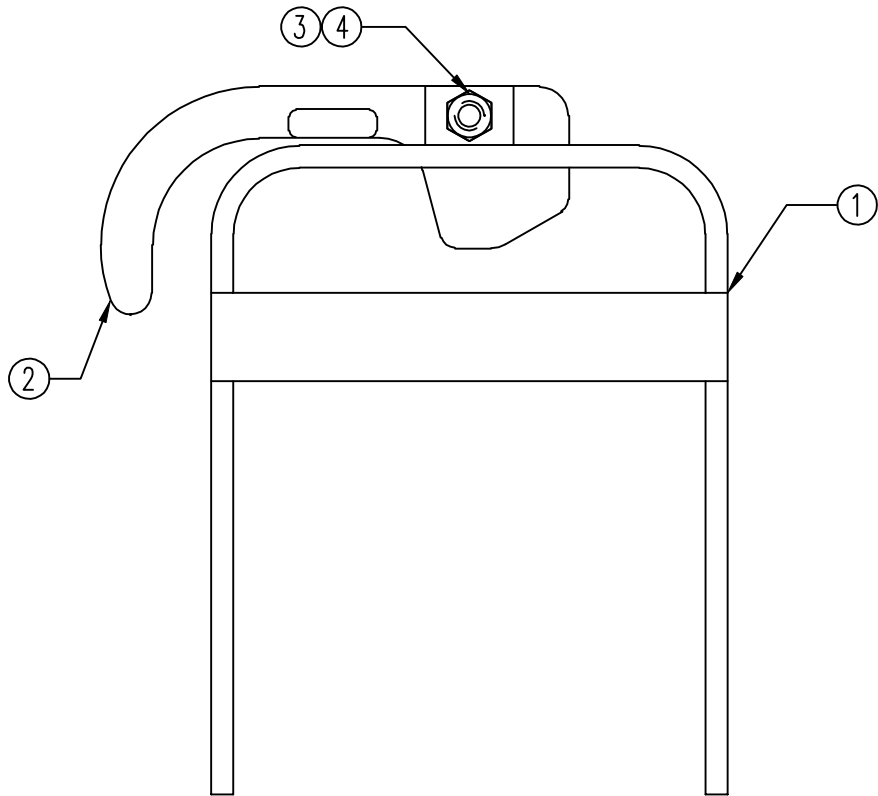


NO.	PART NAME	PART #	REQ'D	MATERIAL
1	ROTO TUBE BAIL	PRB22R	1	ALUMINUM
2	BAIL HANDLE	PRC8AR	1	POLYPROPYLENE
3	12-13 NUT	TN20LN	1	CARBON STEEL Z/P
4	1/2"-13 X 2 3/4" CAP SCREW	PRB17CB	1	CARBON STEEL Z/P



REV	BY	DATE	DESCRIPTION
B	CHL	4-19-99	ADDED TABS TO FRONT VIEW, UPDATED TITLEBLOCK & ADDED MATERIAL TO BOM
A	MR	8-6-96	ADDED RIGHT VIEW FOR CLARITY

UNLESS OTHERWISE SPECIFIED DIMENSIONAL TOLERANCES	
FRACTIONAL	±1/16
X.XX	±0.03
X.XXX	±0.015
ANGULAR	±1'

<b>SALCO PRODUCTS</b>		<b>2D</b>
DRAWN BY: CHL	CHKD BY:	SCALE: 1:2
MATERIAL: SEE BOM		APPROVAL DATE: 8-29-94
PART NAME: ROTO TUBE BAIL ASSEMBLY		
PROJECT #:	PROTOTYPE AND DATE:	APPROVED FOR PRODUCTION:
DRAWING #: B7067	PART #: PRB22RA	

THIS PRINT, PROPERTY OF SALCO PRODUCTS INC., CONTAINS PROPRIETARY INFORMATION AND MUST NOT BE COPIED, REPRODUCED, OR USED DETRIMENTALLY TO OUR INTEREST.

THIRD ANGLE PROJECTION