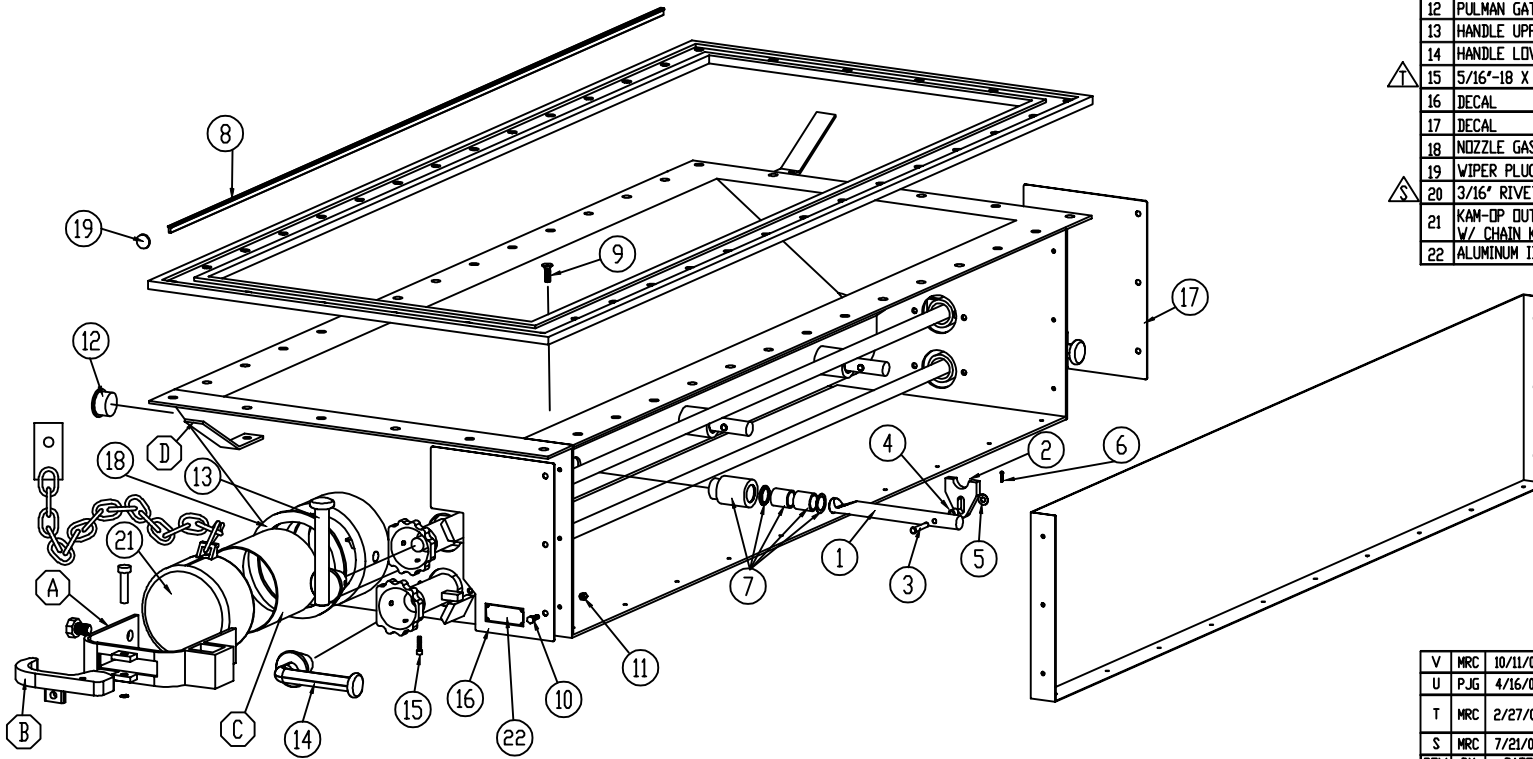


| ADDITIONAL PARTS NOT PART OF KIT | | | |
|----------------------------------|-------------------------|---------|----------------|
| NO. | PART NAME | PART # | REQ'D MATERIAL |
| A | BAIL ASSEMBLY W/ HANDLE | PRB17A | 2 SEE BOM |
| B | HANDLE | PRC8AR | 2 POLYPROP |
| C | NOZZLE | RPSNM6 | 2 SS |
| D | CAP HANGR | EA204CH | 2 CS Z/P |

NOTE: GASKET GGTR3125 OR GGTR35 AVAILABLE PER CUSTOMER REQUEST.



| NO. | PART NAME | PART # | REQ'D | MATERIAL |
|-----|--------------------------------|-----------|-------|--------------|
| 1 | PLUNGER ROD | MM567DS | 4 | 304 SS |
| 2 | CAM BRACKET ASSEMBLY | MM567CB | 4 | CARBON STEEL |
| 3 | 5/16" X 1 3/4" CLEVIS PIN | MM134CP | 4 | CS Z/P |
| 4 | 1/2" KAM FOLLOWER | MM567CF | 4 | DELTRIN |
| 5 | 5/16" WASHER | WASH516 | 4 | CS Z/P |
| 6 | 7/64" X 1/2" COTTER PIN | MM05CTPS | 4 | 18-8 SS |
| 7 | BEARING RETAINER ASSEMBLY | MMGRBA | 4 | SEE BOM |
| 8 | WIPER | GGMM6VPG | 1 | BUNA-N |
| 9 | 3/8"-16 X 1 1/2" SOCKET SCREW | SHC381S | 4 | SS |
| 10 | 1/4"-20 X 7/8" HEX BOLT | HBI478 | 16 | CS Z/P |
| 11 | 1/4"-20 NYLON LOCK NUT | HCN20 | 16 | CS Z/P |
| 12 | PULLMAN GATE PLUG | RPM7P | 4 | ABS PLASTIC |
| 13 | HANDLE UPPER | MMHDL | 2 | DUCTIL IRON |
| 14 | HANDLE LOWER * | MMHDL1 | 2 | DUCTIL IRON |
| 15 | 5/16"-18 X 1" SHCS | SHCSS161S | 8 | 18-8 SS |
| 16 | DECAL | MMDCL1 | 1 | VINYL |
| 17 | DECAL | MMDCL2 | 1 | VINYL |
| 18 | NOZZLE GASKET (WHITE) | ONGM6 | 2 | POLYVIN |
| 19 | WIPER PLUG | MMIAPV | 1 | ALUMINUM |
| 20 | 3/16" RIVET (NOT SHOWN) | R316 | 6 | ALUMINUM |
| 21 | KAM-OP OUTLET CAP W/ CHAIN KIT | RPM6SCAKI | 2 | SEE BOM |
| 22 | ALUMINUM ID PLATE | A13224 | 2 | ALUMINUM |

GENERAL NOTES:

- GATE CONVERSION KIT MM6KIT CONVERTS PULLMAN MICROMATIC GATE 6, 6A AND 7.
- MMHDL1 HANDLE LOWER MUST BE INSTALLED IN THE LOWER POSITION FOR THE GATE TO OPERATE PROPERLY.

| | | | |
|-----|------|----------|--|
| V | MRC | 10/11/01 | PART # MM567CB WAS MM567CBA |
| U | P.JG | 4/16/01 | ADDED A13224 TO BOM AND DWG |
| T | MRC | 2/27/01 | REMOVED MM05CTP AND SHCSS161 FROM BOM AND ADDED MM05CTPS AND SHCSS161S |
| S | MRC | 7/21/00 | QUANTITY FOR R316 WAS 2 |
| REV | BY | DATE | DESCRIPTION |

UNLESS OTHERWISE SPECIFIED DIMENSIONAL TOLERANCES:

| | |
|------------|--------|
| FRACTIONAL | ±1/16 |
| X.XX | ±0.03 |
| X.XXX | ±0.015 |
| ANGULAR | ±1° |

THIS DRAWING IS THE PROPERTY OF SALCO PRODUCTS INC. IT IS TO BE USED FOR THE PROJECT AND DATE SPECIFIED. IT IS TO BE KEPT IN THE OFFICE OF THE PROJECT MANAGER AND NOT BE LOANED, REPRODUCED, OR USED FOR ANY OTHER PROJECT WITHOUT THE WRITTEN PERMISSION OF SALCO PRODUCTS INC.

THIRD ANGLE PROJECTION

SALCO PRODUCTS, INC.

2D

DRAWN BY: CLH CHKD BY: _____ SCALE: NTS APPROVAL DATE: SEE BOM

PART NAME: KAM-OP GATE CONVERSION

PROJECT # 951012 PROTOTYPE AND DATE: _____ APPROVED FOR PRODUCTION: _____

DRAWING # D8867 PART # MM6KIT