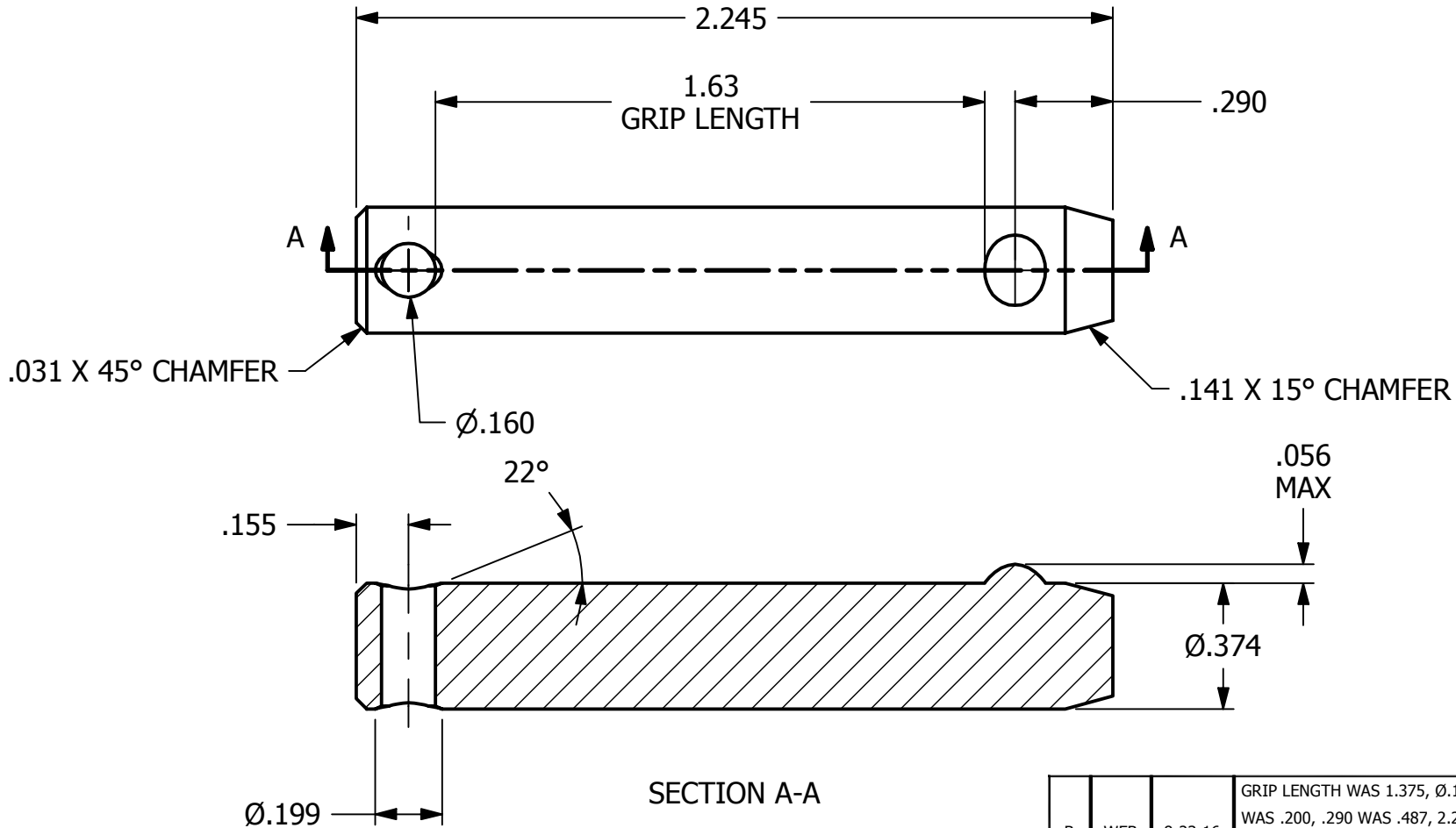


2

1



SECTION A-A

B	WEB	8-23-16	GRIP LENGTH WAS 1.375, $\phi .160$ WAS $\phi .224$ , $.155$ WAS $.200$ , $.290$ WAS $.487$ , 2.245 WAS 2.264, PART DESCRIPTION WAS LOCKING PIN 3/8 X 1 3/8, MATERIAL WAS 18-8 SS
A	JG	11-4-14	ADDED DRAWING TO NETWORK
REV	BY	DATE	DESCRIPTION

UNLESS OTHERWISE SPECIFIED DIMENSIONAL TOLERANCES FRACTIONAL: $\pm 1/16$ X.XX: $\pm .03$ X.XXX: $\pm .015$ ANGULAR: $\pm 1^\circ$ DEBURR ALL SHARP EDGES. ALL MACHINED SURFACES TO HAVE A 125 RMS FINISH UNLESS NOTED OTHERWISE. THIRD ANGLE PROJECTION	DRAWN BY:	PJG
	CHECKED BY:	KRSJ
	PROTOTYPE BY:	PJG
	PROTOTYPE DATE:	7/11/2001
	APPROVED FOR PRODUCTION BY:	PJG
	PRODUCTION DATE:	7/11/2001

**SALCO PRODUCTS, INC.**

PART NAME:  
**LOCKING PIN 3/8"X1 5/8"**

MATERIAL: **CS Z/P**

PROJECT #: **010427B** SHEET #: **1 OF 1** SCALE: **2:1**

DRAWING #: **A15954** PART #: **EN30651**

THIS PRINT, PROPERTY OF SALCO PRODUCTS INC, CONTAINS PROPRIETARY INFORMATION AND MUST NOT BE COPIED, REPRODUCED, OR USED DETRIMENTALLY TO OUR INTEREST.

2

1