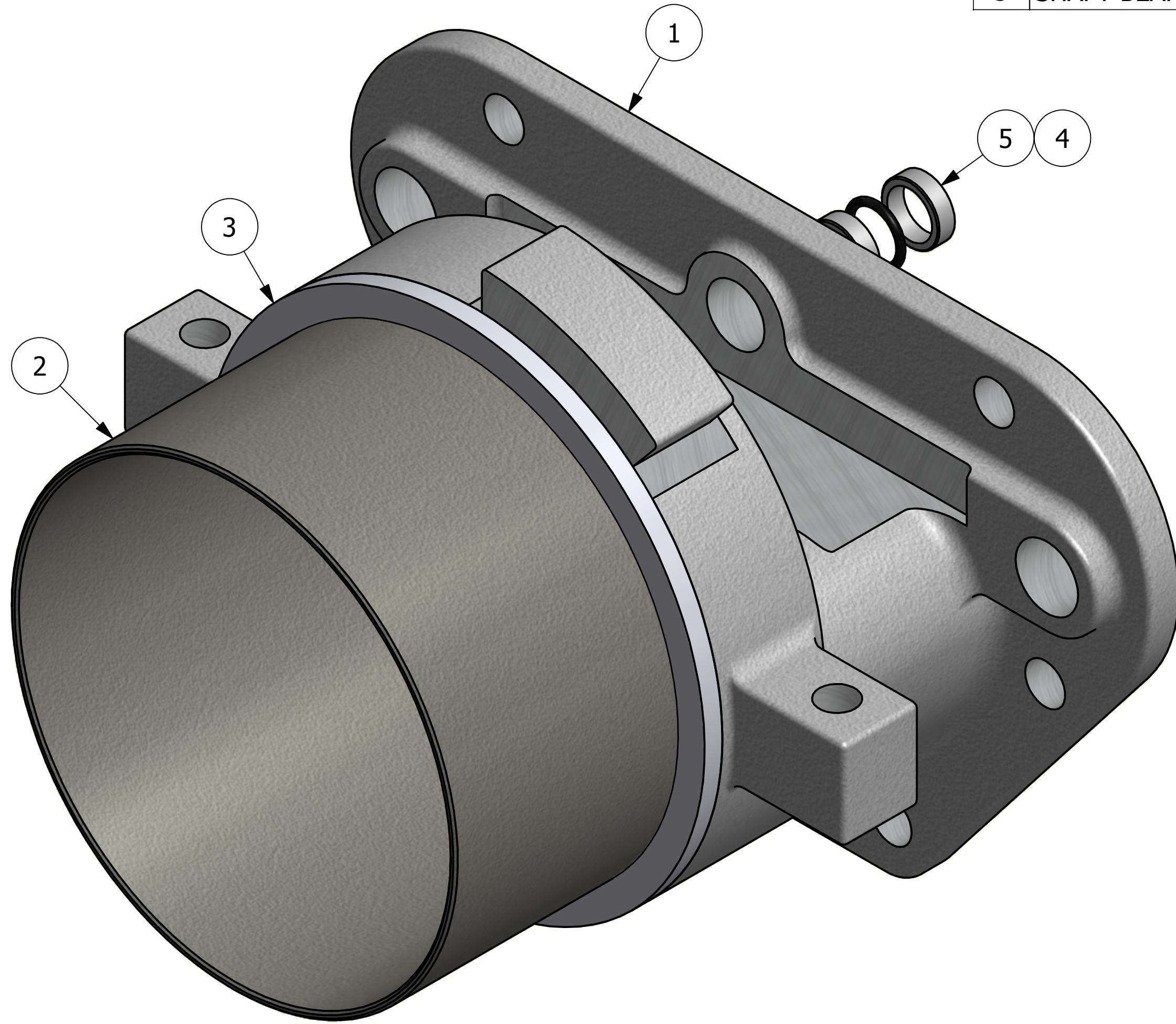


NO.	PART NAME	PART #	REQ'D	MATERIAL
1	END ADAPTER	EAEN20	1	ALUMINUM
2	OUTLET NOZZLE	RPSNEN20	1	304 SS
3	NOZZLE GASKET	EN7837	1	FDA NITRILE
4	O-RING 5/8"	A25867	1	NITRILE
5	SHAFT BEARING	EN31693	2	NYLON



REV	BY	DATE	DESCRIPTION
B	BG	3-14-16	REPLACED (2) A25866 WITH (2) EN31693
A	BG	3-10-15	DRAWING RELEASED FOR PRODUCTION

UNLESS OTHERWISE SPECIFIED DIMENSIONAL TOLERANCES FRACTIONAL: $\pm 1/16$ X.XX: $\pm .03$ X.XXX: $\pm .015$ ANGLE: $\pm 1^\circ$ DEBURR ALL SHARP EDGES. ALL MACHINED SURFACES TO HAVE A 125 RMS FINISH UNLESS NOTED OTHERWISE.	DRAWN BY:	RJP
	CHECKED BY:	BG
	PROTOTYPE BY:	RJP
	PROTOTYPE DATE:	3/6/2015
	APPROVED FOR PRODUCTION BY:	BG
THIRD ANGLE PROJECTION	PRODUCTION DATE:	3/10/2015

SALCO PRODUCTS, INC.		
PART NAME: FLANGE CONNECTOR ASSEMBLY		
MATERIAL: SEE BOM		
PROJECT #:	SHEET #:	SCALE:
120103	1 OF 1	1:1
DRAWING #:	PART #:	
C41051	FCEN30727	

THIS PRINT, PROPERTY OF SALCO PRODUCTS INC., CONTAINS PROPRIETARY INFORMATION AND MUST NOT BE COPIED, REPRODUCED, OR USED DETRIMENTALLY TO OUR INTEREST.