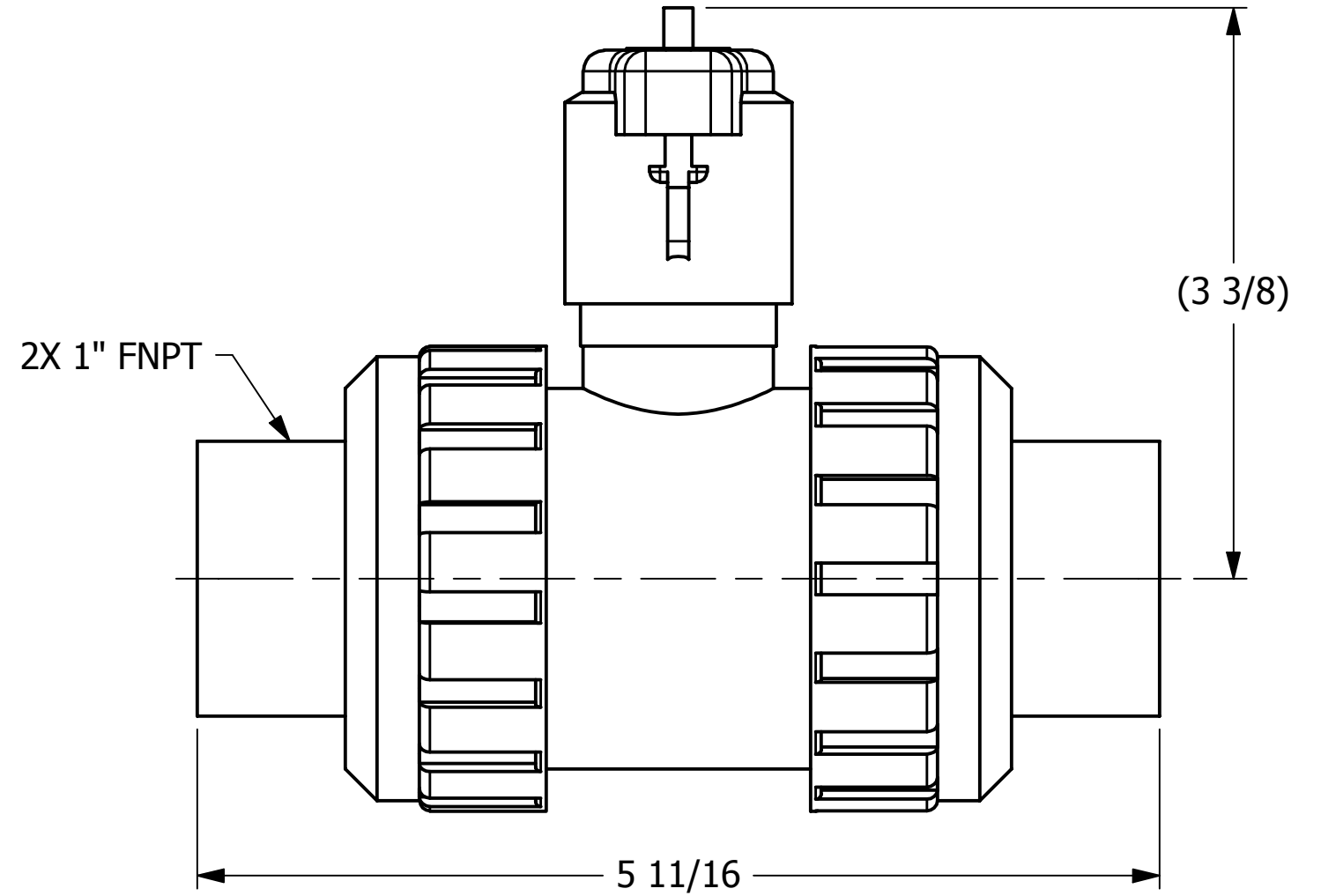
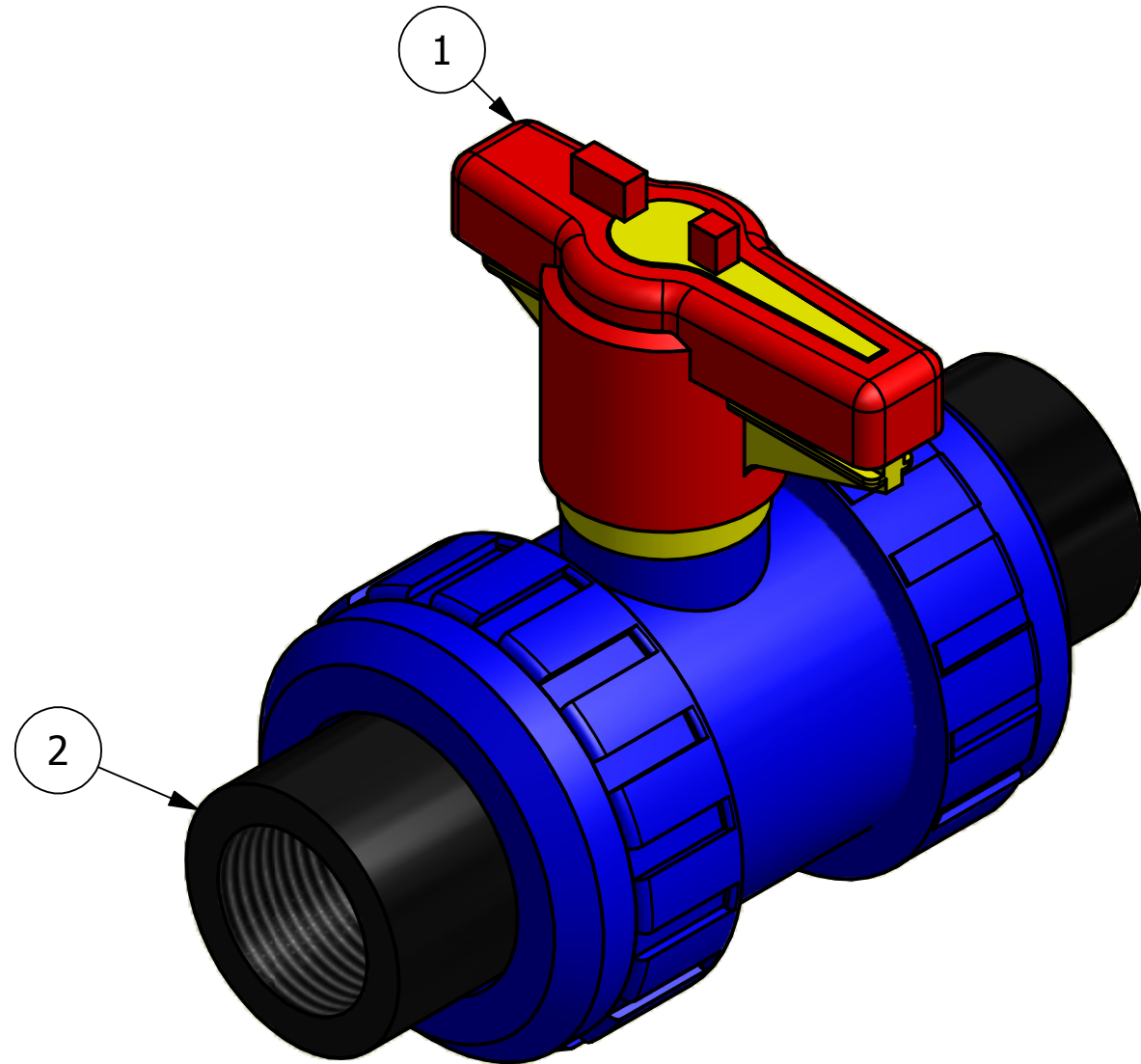


NO	PART NAME	PART#	REQ'D	MATERIAL
1	BALL VALVE 1"	AS5801010	1	POLYETHYLENE
2	INSERT COUPLING 1"	HS1TI2	2	SALCO PE



A	JG	1-27-16	RELEASED FOR PRODUCTION
REV	BY	DATE	DESCRIPTION

<small>UNLESS OTHERWISE SPECIFIED DIMENSIONAL TOLERANCES</small> FRACTIONAL: ±1/16 X.XX: ±.03 X.XXX: ±.015 ANGULAR: ±1° <small>DEBURR ALL SHARP EDGES. ALL MACHINED SURFACES TO HAVE A 125 RMS FINISH UNLESS NOTED OTHERWISE.</small>	DRAWN BY:	JG
	CHECKED BY:	CHL
	PROTOTYPE BY:	JG
	PROTOTYPE DATE:	1/26/2016
	APPROVED FOR PRODUCTION BY:	JG
THIRD ANGLE PROJECTION	PRODUCTION DATE:	1/27/2016

**SALCO PRODUCTS, INC.**

PART NAME: **AIR VALVE ASSEMBLY 1"**

MATERIAL: **SEE BOM**

PROJECT #: **H150513**    SHEET #: **1 OF 1**    SCALE: **1:1**

DRAWING #: **B43106**    PART #: **HSAVAPE43106**

THIS PRINT, PROPERTY OF SALCO PRODUCTS INC., CONTAINS PROPRIETARY INFORMATION AND MUST NOT BE COPIED, REPRODUCED, OR USED DETRIMENTALLY TO OUR INTEREST.