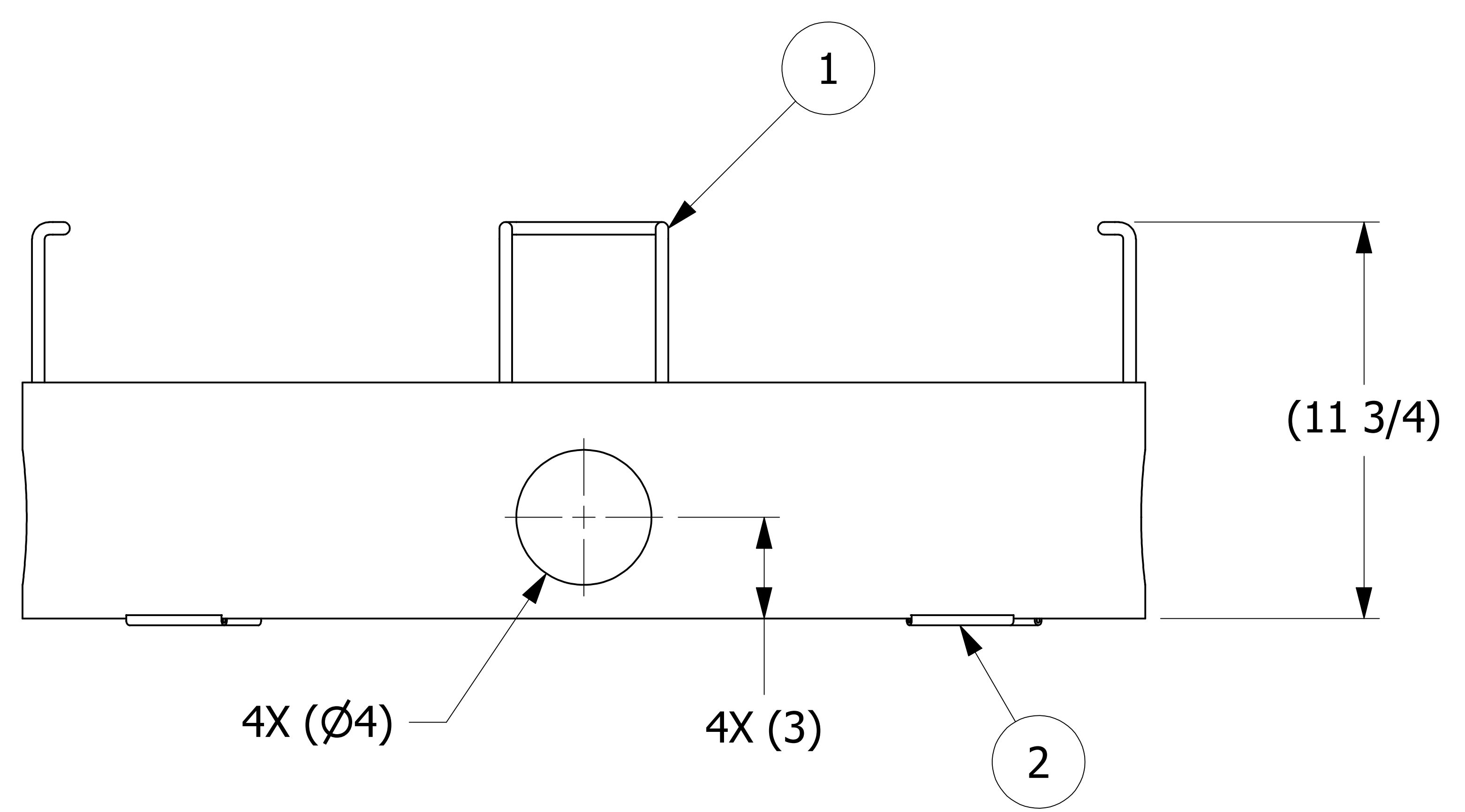
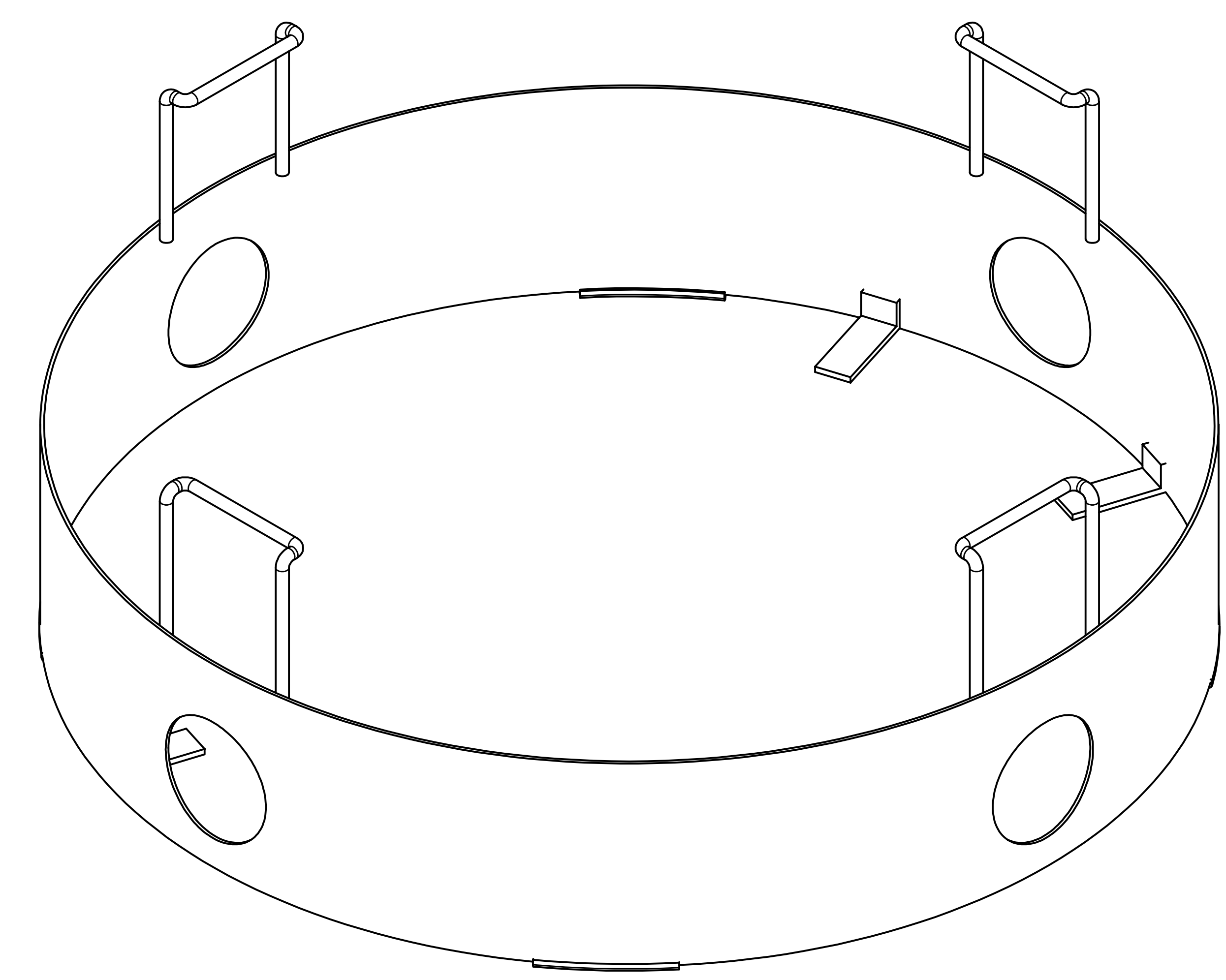
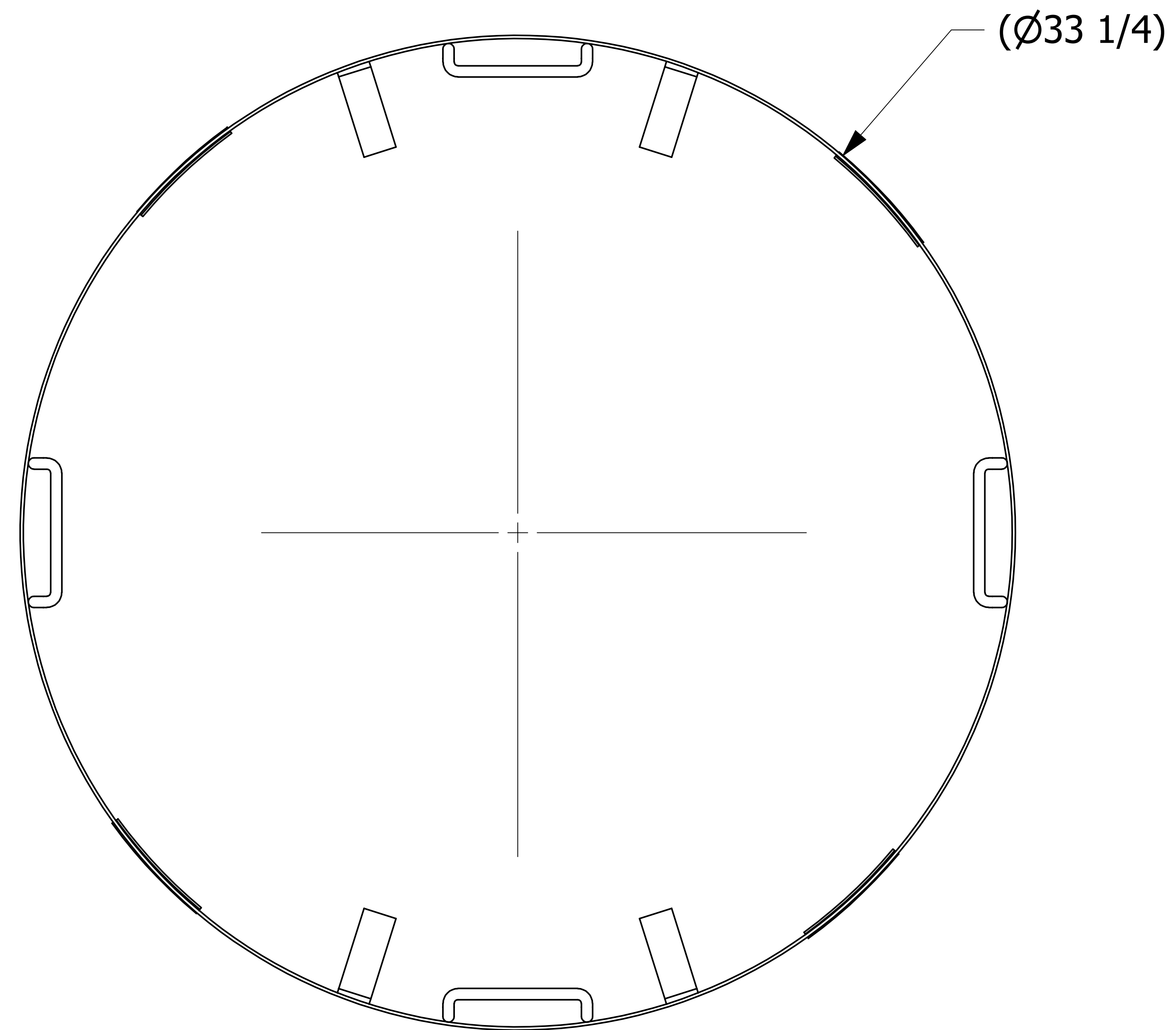


NO.	PART NAME	PART#	REQ'D	MATERIAL
1	SECURITY RING 20"	MB20PR102SNL	1	304 SS
2	EDGE TRIM 1/8"	A21066	4	NEOPRENE
3	LABEL (NOT SHOWN)	MBPRLBL	1	VINYL



- NOTES:**
1. APPLY LABEL ON INSIDE OF RING, DO NOT PLACE OVER HOLE.
  2. GLUE EDGE TRIM TO RING.
  3. FITS ON UTLX 92450.

REV	BY	DATE	DESCRIPTION
A	VD	11-12-12	ADDED PART TO SYSTEM.

<small>UNLESS OTHERWISE SPECIFIED DIMENSIONAL TOLERANCES FRACTIONAL: ±1/16 X.XX: ±.03 X.XXX: ±.015 ANGULAR: ±1° DEBURR ALL SHARP EDGES. ALL MACHINED SURFACES TO HAVE A 125 RMS FINISH UNLESS NOTED OTHERWISE.</small>	DRAWN BY:	VD
	CHECKED BY:	CHL
	PROTOTYPE BY:	VD
	PROTOTYPE DATE:	8/15/2012
	APPROVED FOR PRODUCTION BY:	
THIRD ANGLE PROJECTION	PRODUCTION DATE:	

**SALCO PRODUCTS, INC.**

PART NAME: **SECURITY RING 20"**

MATERIAL: **SEE BOM**

PROJECT #: **080922A** SHEET #: **1 OF 1** SCALE: **3:8**

DRAWING #: **E34037** PART #: **MB20PR102S**