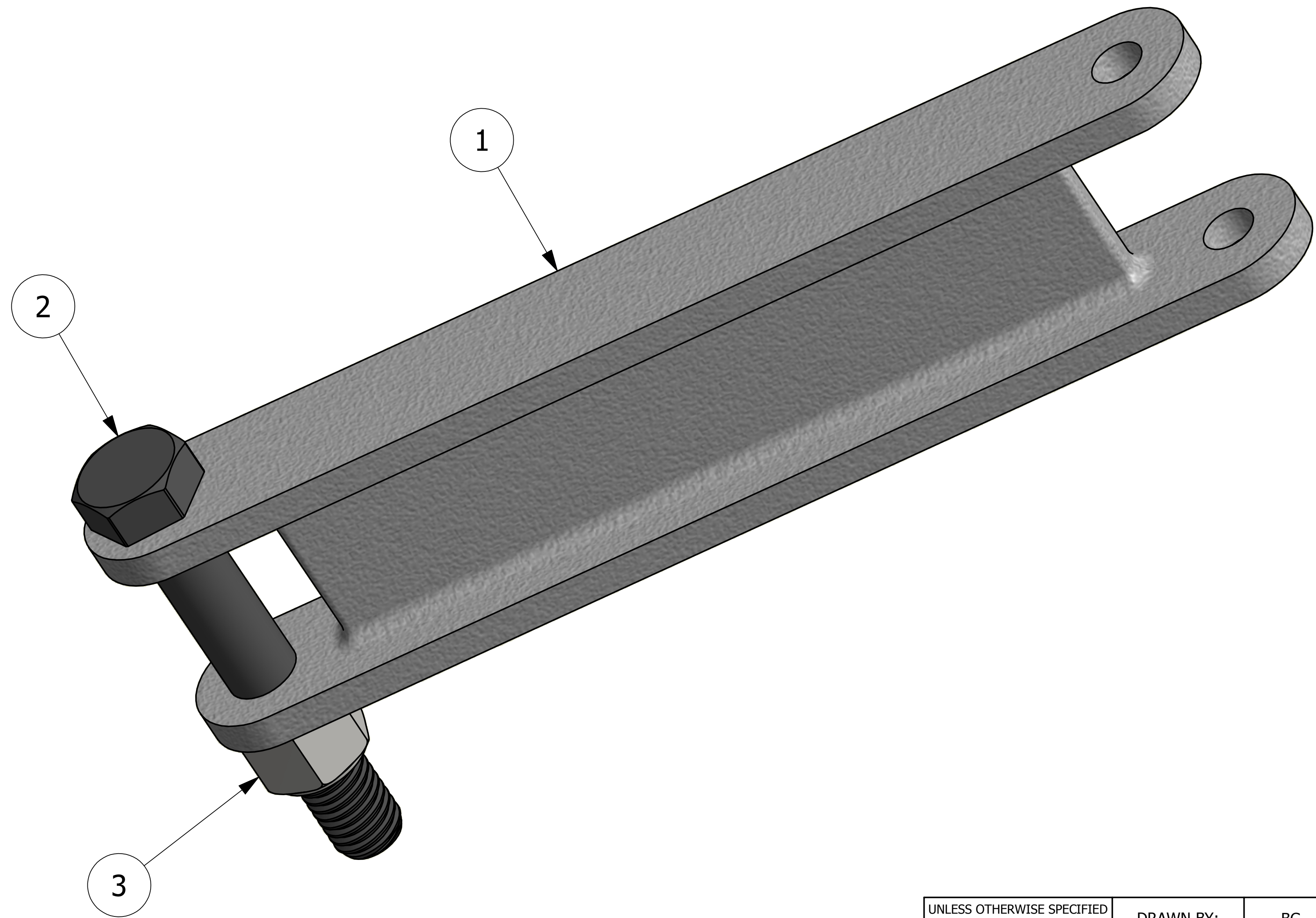


NO.	PART NAME	PART #	REQ'D	MATERIAL
1	PIVOT ARM	PAEN2022	1	ALUMINUM
2	HEX BOLT 1/2"-13X3 1/4"	HB12314	1	CS Z/P
3	HEX LOCK NUT 1/2"-13	TN20LN	1	CS Z/P



A	BG	10/31/13	DRAWING RELEASED FOR PRODUCTION
REV	BY	DATE	DESCRIPTION

UNLESS OTHERWISE SPECIFIED DIMENSIONAL TOLERANCES FRACTIONAL: ±1/16 X.XX: ±.03 X.XXX: ±.015 ANGULAR: ±1° DEBURR ALL SHARP EDGES. ALL MACHINED SURFACES TO HAVE A 125 RMS FINISH UNLESS NOTED OTHERWISE. THIRD ANGLE PROJECTION	DRAWN BY:	BG
	CHECKED BY:	WRB
	PROTOTYPE BY:	BG
	PROTOTYPE DATE:	10/18/2013
	APPROVED FOR PRODUCTION BY:	BG
	PRODUCTION DATE:	10/31/2013

SALCO PRODUCTS, INC.		
PART NAME: PIVOT ARM KIT		
MATERIAL: SEE BOM		
PROJECT #: 080514	SHEET #: 1 OF 1	SCALE: 1:1
DRAWING #: D37499	PART #: PAEN2022KITA	

THIS PRINT, PROPERTY OF SALCO PRODUCTS INC. CONTAINS PROPRIETARY INFORMATION AND MUST NOT BE COPIED, REPRODUCED, OR USED DETRIMENTALLY TO OUR INTEREST.