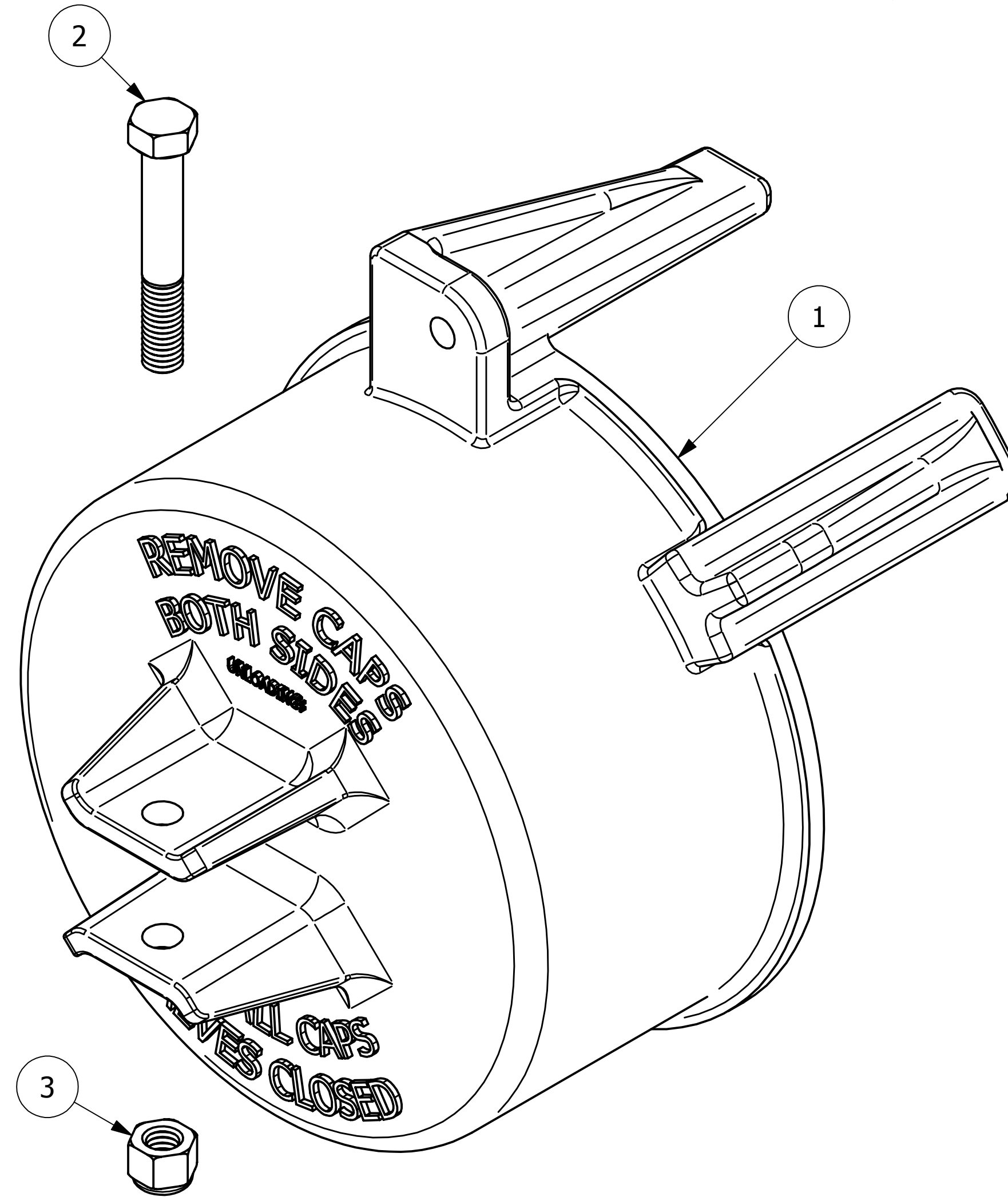


NO.	PART NAME	PART#	REQ'D	MATERIAL
1	OUTLET CAP	RPEN20	1	GREY ABS
2	HEX BOLT 3/8"-16 X 2 1/2"	HB70113	1	18-8 SS
3	HEX LOCK NUT 3/8"-16	EA111N	1	CS/ZP



A	RJP	11-22-13	RELEASED FOR PRODUCTION
REV	BY	DATE	DESCRIPTION
SALCO PRODUCTS, INC.			
PART NAME: OUTLET CAP ASSEMBLY			
MATERIAL: SEE BOM			
PROJECT #: 120103		SHEET #: 1 OF 1	SCALE: 1:1
DRAWING #: C37796		PART #: RPEN20A	

UNLESS OTHERWISE SPECIFIED DIMENSIONAL TOLERANCES FRACTIONAL: $\pm 1/16$ X.XX: $\pm .03$ X.XXX: $\pm .015$ ANGLE: $\pm 1^\circ$ DEBURR ALL SHARP EDGES. ALL MACHINED SURFACES TO HAVE A 125 RMS FINISH UNLESS NOTED OTHERWISE. THIRD ANGLE PROJECTION	DRAWN BY:	RJP
	CHECKED BY:	CHL
	PROTOTYPE BY:	RJP
	PROTOTYPE DATE:	11/22/2013
	APPROVED FOR PRODUCTION BY:	CHL
	PRODUCTION DATE:	11/22/2013

THIS PRINT, PROPERTY OF SALCO PRODUCTS INC., CONTAINS PROPRIETARY INFORMATION AND MUST NOT BE COPIED, REPRODUCED, OR USED DETRIMENTALLY TO OUR INTEREST.