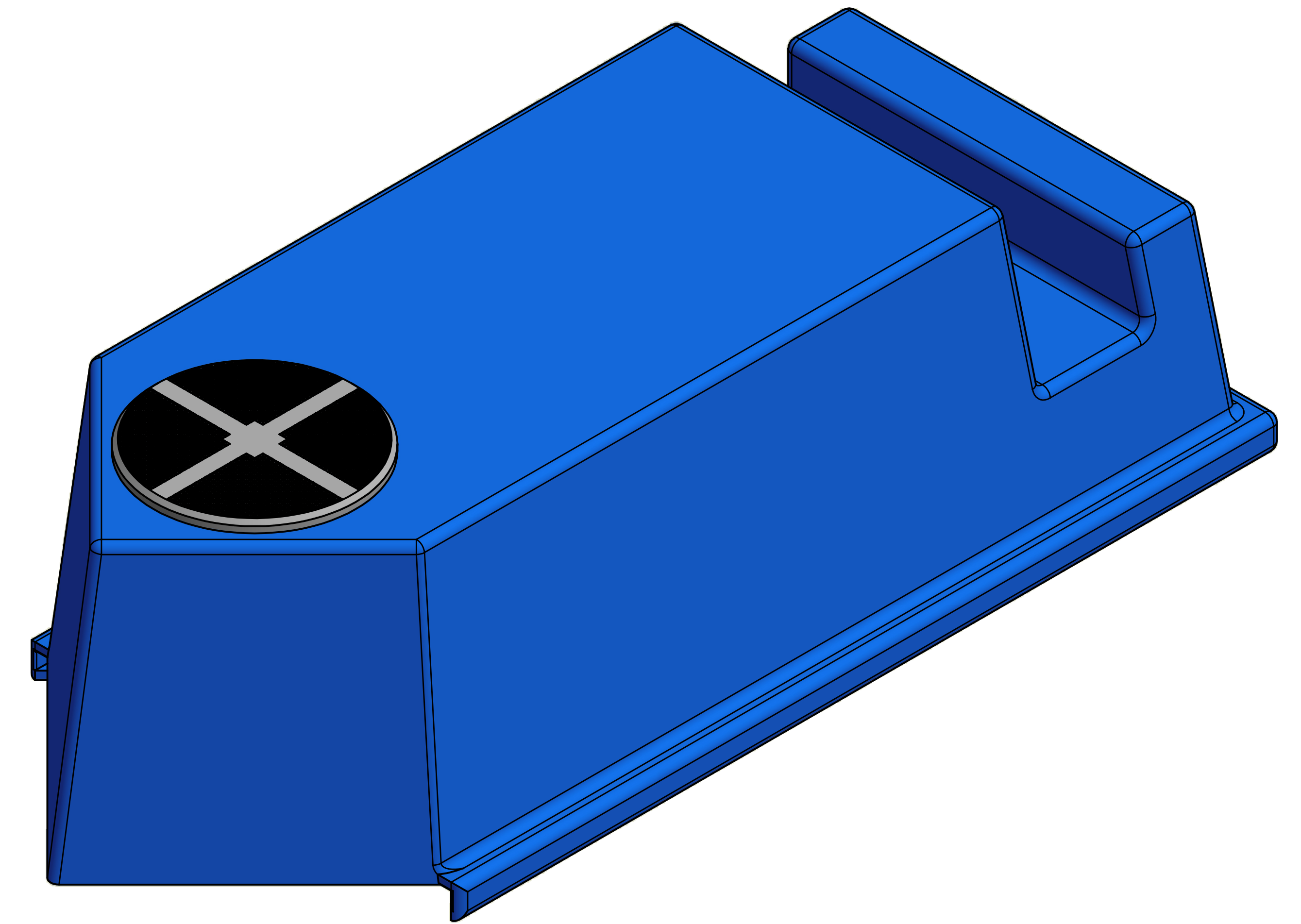


NO.	PART NAME	PART#	REQ'D	MATERIAL
1	CONTAINMENT TRAY	CT100	1	POLYETHYLENE
2	KLEAN SEAL NOZZLE 6"	NKS625V	1	LPDE



UNLESS OTHERWISE SPECIFIED DIMENSIONAL TOLERANCES FRACTIONAL: ±1/16 X.XX: ±.03 X.XXX: ±.015 ANGULAR: ±1° DEBURR ALL SHARP EDGES. ALL MACHINED SURFACES TO HAVE A 125 RMS FINISH UNLESS NOTED OTHERWISE. THIRD ANGLE PROJECTION	DRAWN BY:	WEB		
	CHECKED BY:	EJF		
	PROTOTYPE BY:	WEB	PART NAME: CONTAINMENT TRAY	
	PROTOTYPE DATE:	5/27/2016	MATERIAL: SEE BOM	
	APPROVED FOR PRODUCTION BY:	WEB	PROJECT #: 100809	SHEET #: 1 OF 1
PRODUCTION DATE:	5/31/2016	DRAWING #: D43770	PART #: CT100F	

THIS PRINT, PROPERTY OF SALCO PRODUCTS INC. CONTAINS PROPRIETARY INFORMATION AND MUST NOT BE COPIED, REPRODUCED, OR USED DETRIMENTALLY TO OUR INTEREST.