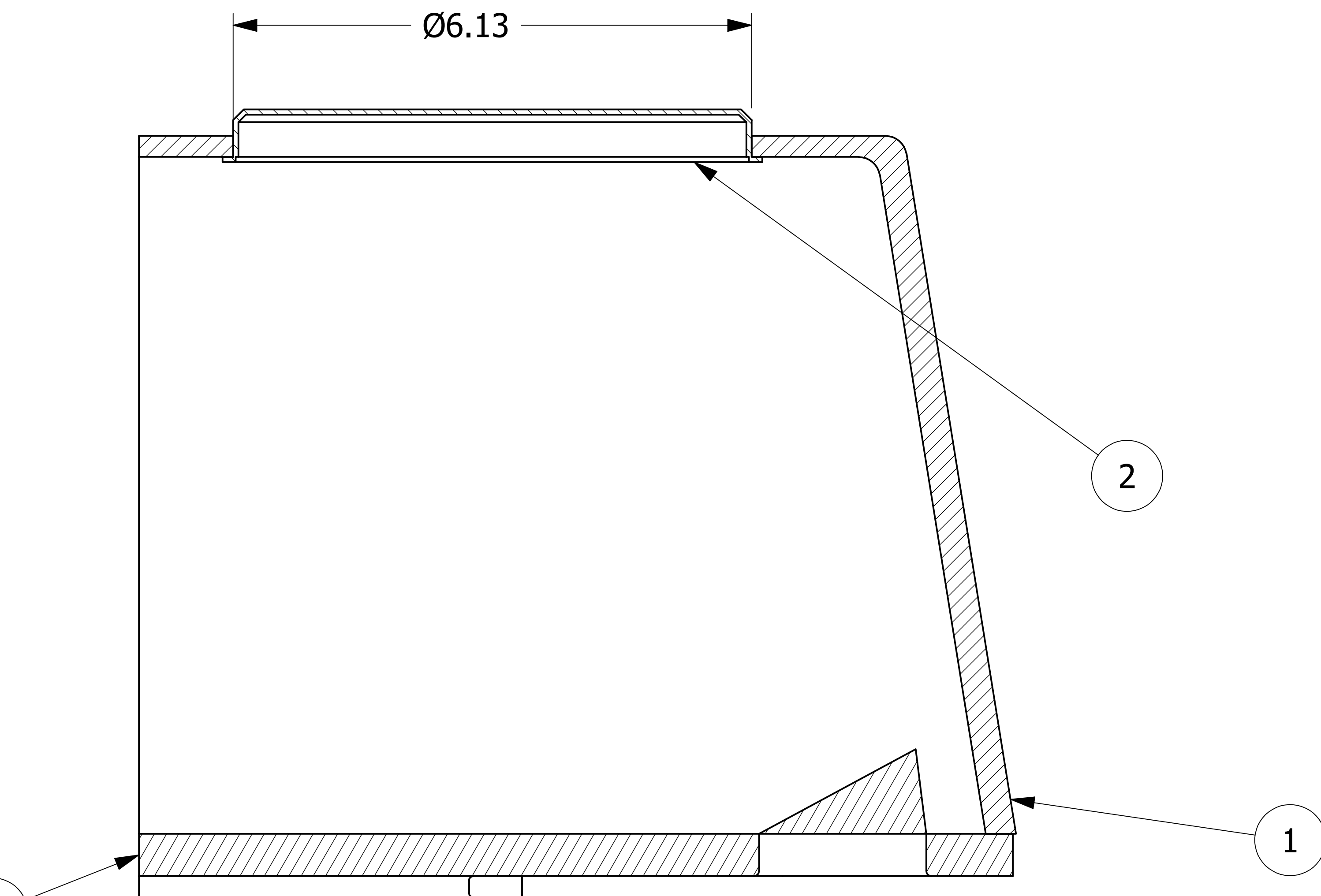
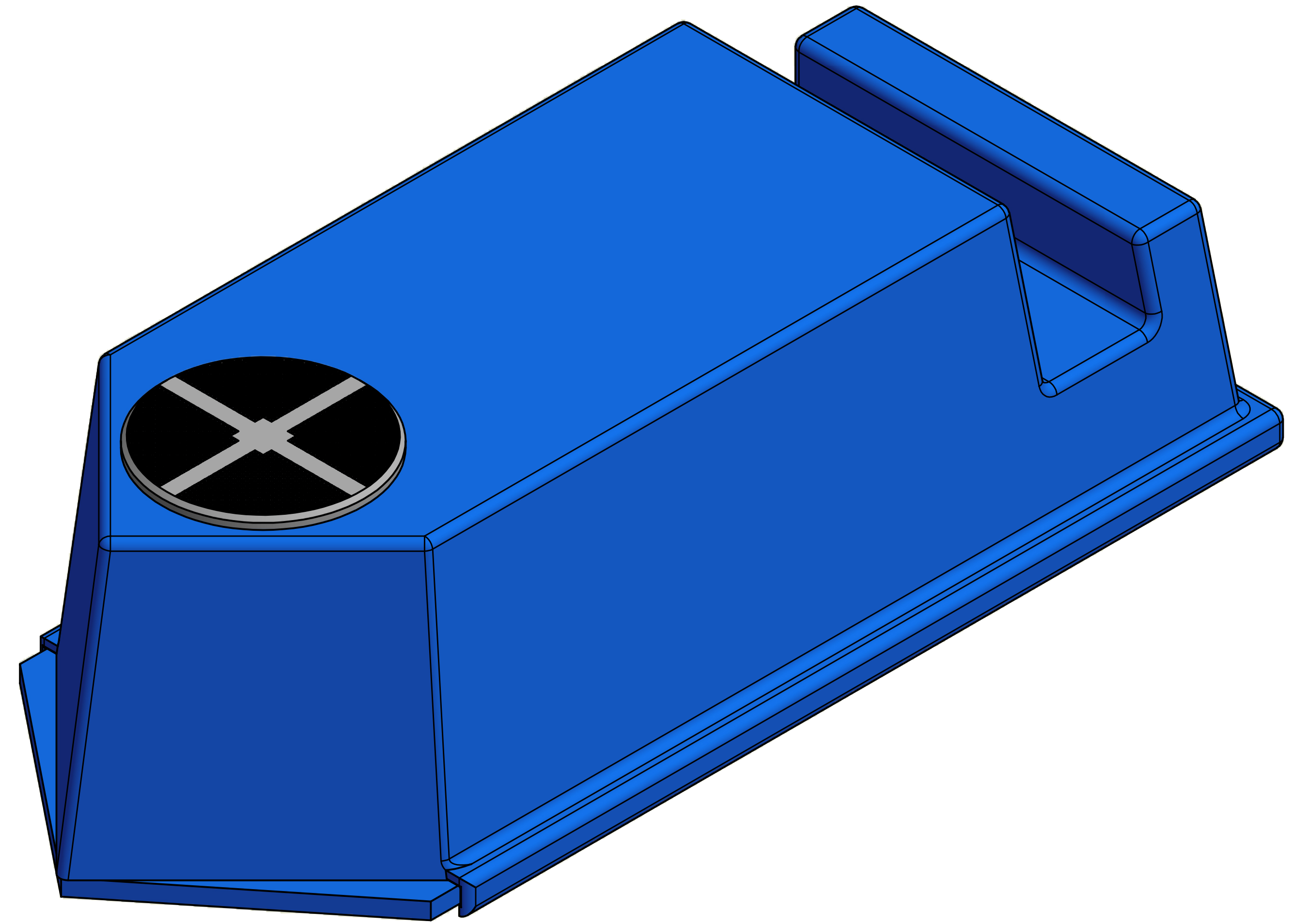


VIEW1  
SCALE 3:8



SECTION A-A

NO.	PART NAME	PART#	REQ'D	MATERIAL
1	CONTAINMENT TRAY	CT100	1	POLYETHYLENE
2	KLEAN SEAL NOZZLE 6"	NKS625V	1	LPDE
3	CONTAINMENT LID	CT100LID	1	POLYETHYLENE



ISOMETRIC VIEW

B	WEB	5-27-16	ADDED CT100LID
A	REH	8-10-10	ADDED PART TO SYSTEM
REV	BY	DATE	DESCRIPTION

UNLESS OTHERWISE SPECIFIED DIMENSIONAL TOLERANCES FRACTIONAL: ±1/16 X.XX: ±.03 X.XXX: ±.015 ANGULAR: ±1° DEBURR ALL SHARP EDGES. ALL MACHINED SURFACES TO HAVE A 125 RMS FINISH UNLESS NOTED OTHERWISE. THIRD ANGLE PROJECTION	DRAWN BY:	REH
	CHECKED BY:	VD
	PROTOTYPE BY:	REH
	PROTOTYPE DATE:	8/10/2010
	APPROVED FOR PRODUCTION BY:	REH
	PRODUCTION DATE:	8/10/2010

**SALCO PRODUCTS, INC.**

PART NAME: **CONTAINMENT TRAY**

MATERIAL: **SEE BOM**

PROJECT #: **100809** SHEET #: **1 OF 1** SCALE: **1:2**

DRAWING #: **D29243** PART #: **CT100FL**