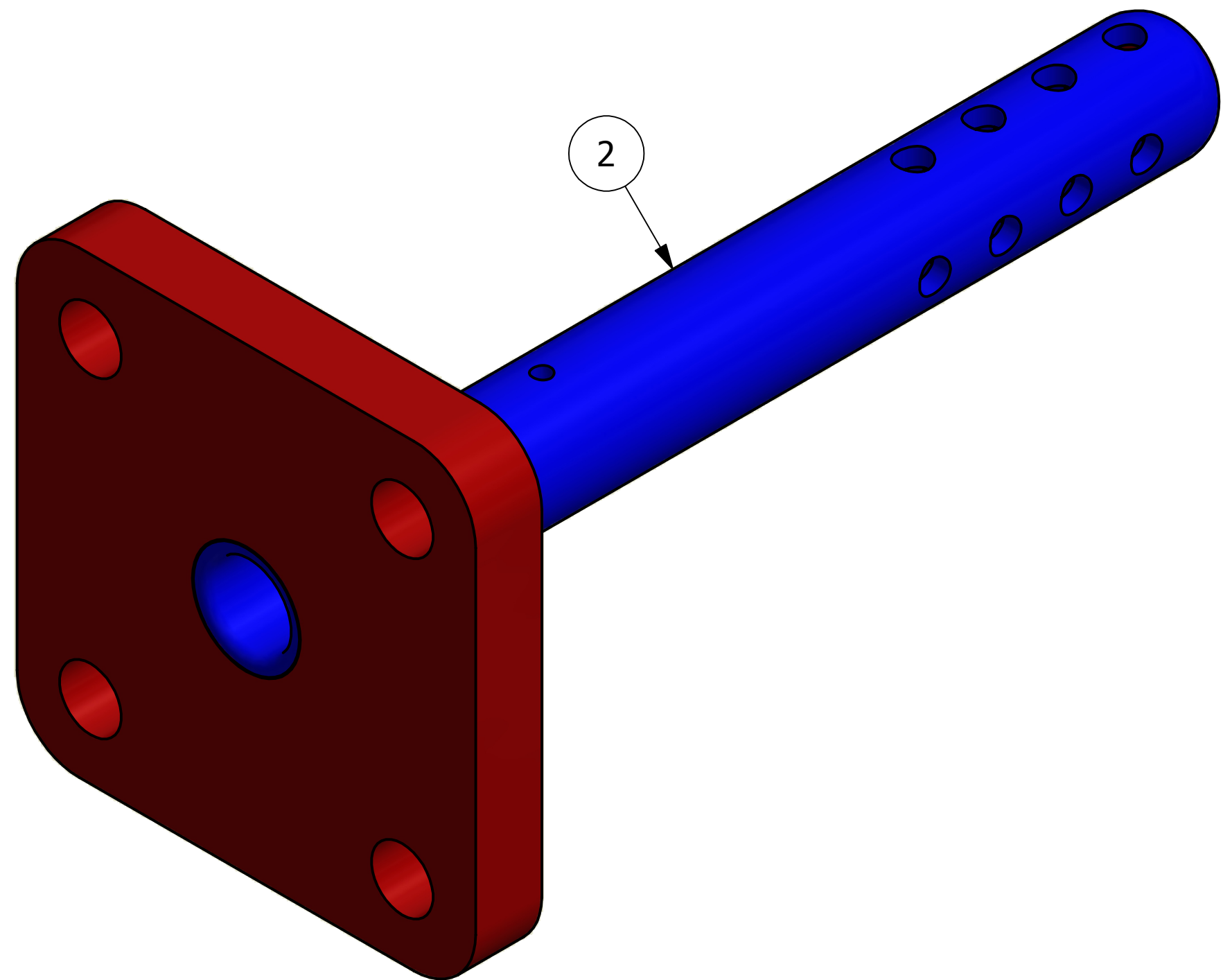
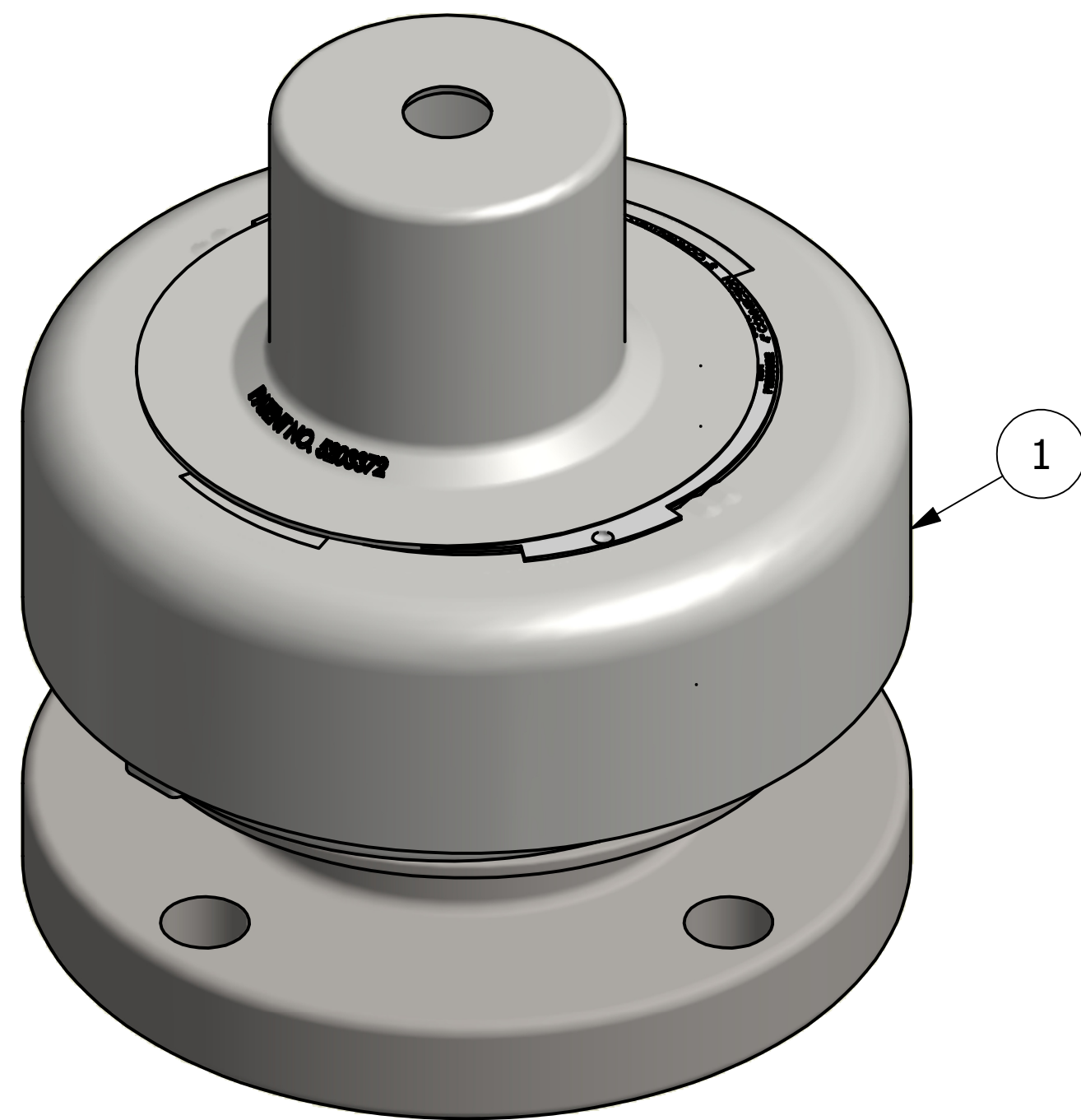


NO.	PART NAME	PART#	REQ'D	MATERIAL
1	GIRARD GE LINER VENT 165 PSI	GERR407-165-5	1	316L SS / PTFE
2	SURGE PROTECTOR	HSSPRDSQ	1	SALCO PE



NOTES:
 1. PART NUMBER IS GERR407-165-5-SPSQ.
 2. VALVE O-RING IS VITON GF.

A	RJP	9-30-16	RELEASED FOR PRODUCTION
REV	BY	DATE	DESCRIPTION
SALCO PRODUCTS, INC.			
PART NAME: GIRARD GE LINER VENT 165 PSI			
MATERIAL: SEE BOM			
PROJECT #: R160922		SHEET #: 1 OF 1	SCALE: 3:4
DRAWING #: C44353		PART #: SEE NOTE	

UNLESS OTHERWISE SPECIFIED DIMENSIONAL TOLERANCES FRACTIONAL: $\pm 1/16$ X.XX: $\pm .03$ X.XXX: $\pm .015$ ANGLE: $\pm 1^\circ$ DEBURR ALL SHARP EDGES. ALL MACHINED SURFACES TO HAVE A 125 RMS FINISH UNLESS NOTED OTHERWISE. THIRD ANGLE PROJECTION	DRAWN BY:	RJP
	CHECKED BY:	WRB
	PROTOTYPE BY:	RJP
	PROTOTYPE DATE:	9/23/2016
	APPROVED FOR PRODUCTION BY:	MW
	PRODUCTION DATE:	9/30/2016