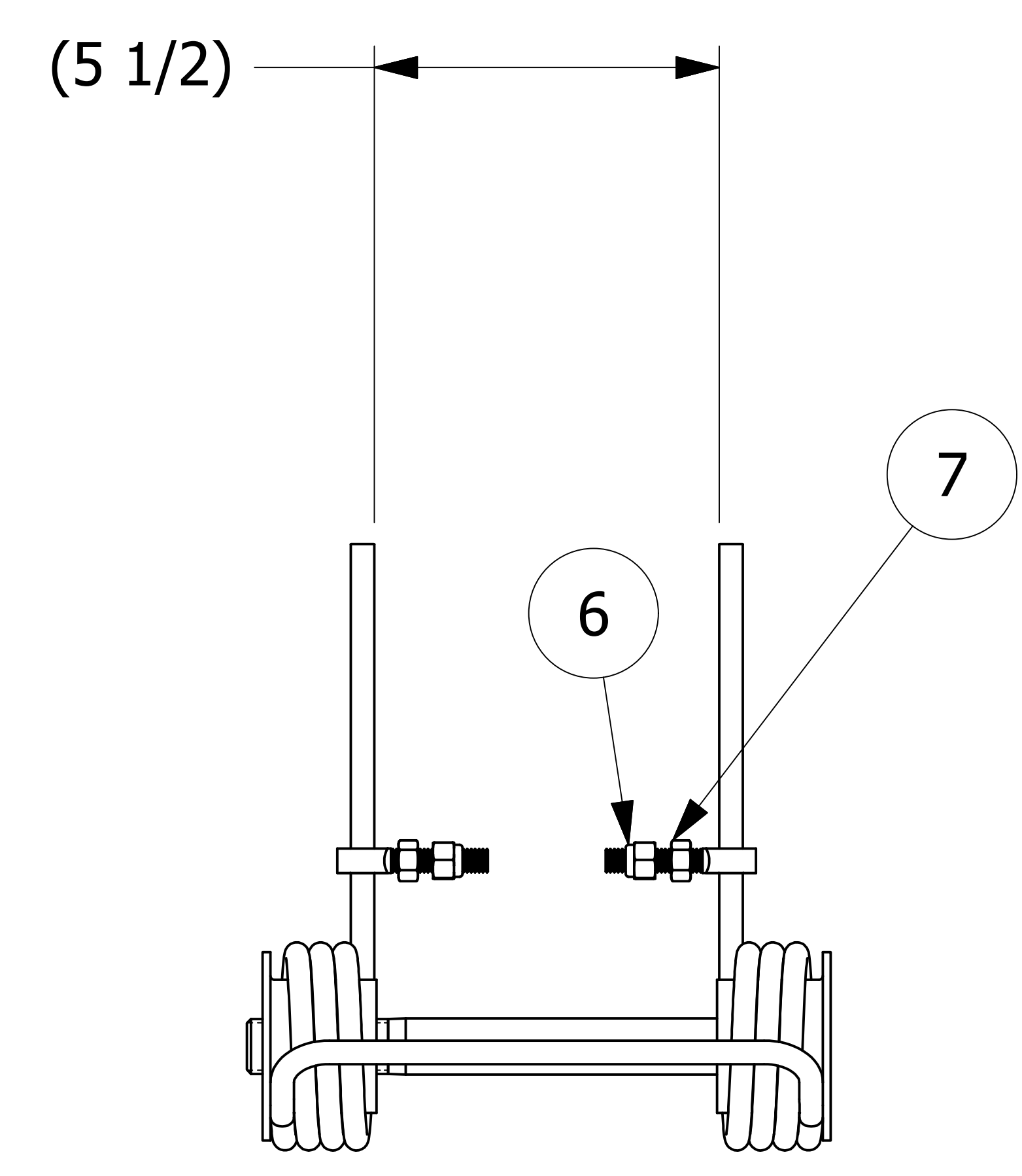
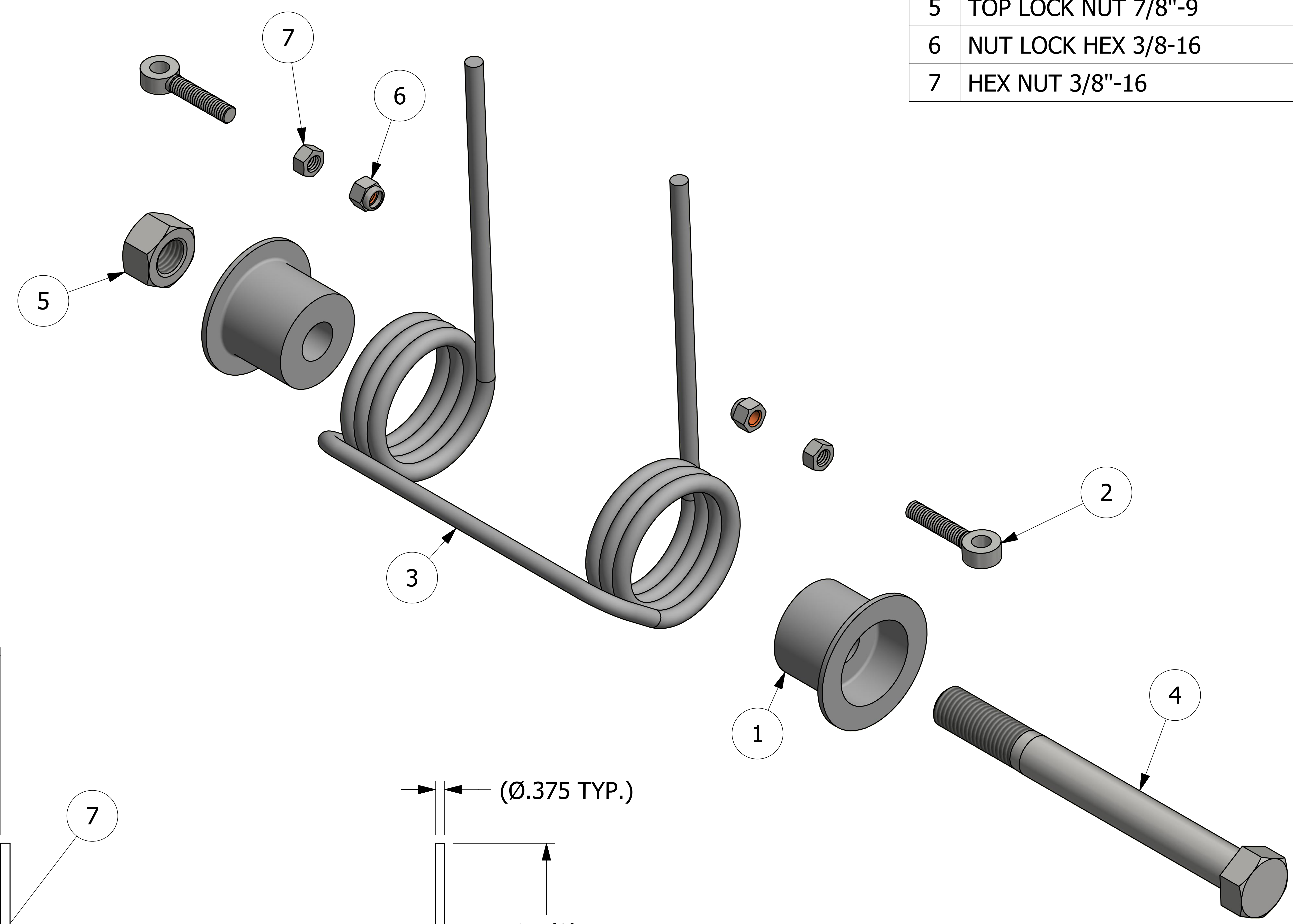
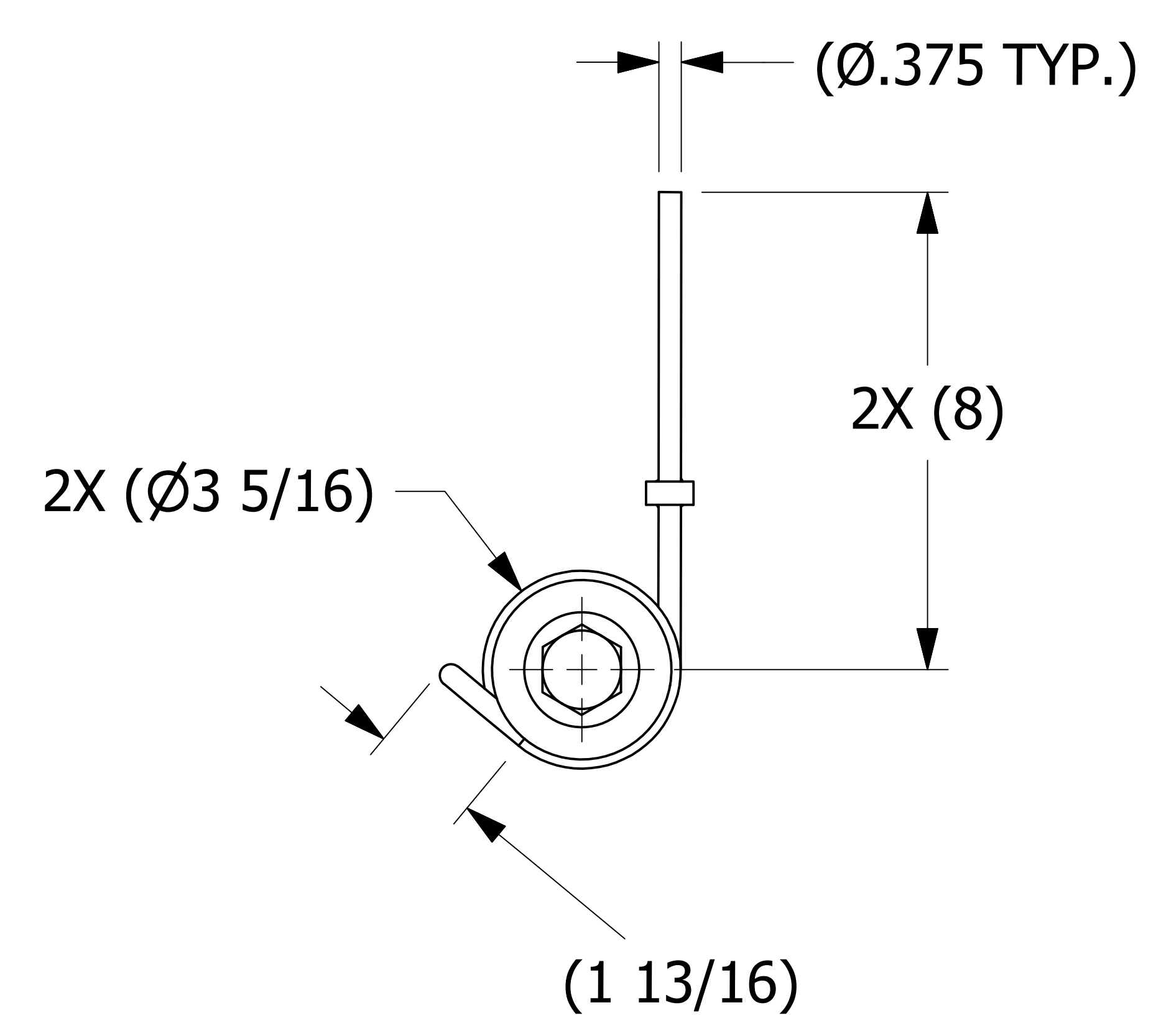


NO.	PART NAME	PART#	REQ'D	MATERIAL
1	BUSHING	A30298	2	CS Z/P
2	3/8"-16 X 2" LATCH EYEBOLT	A35386	2	18-8 SS
3	DUAL TORSION SPRING	C32499	1	302 SS
4	HEX BOLT 7/8"-9X8 1/2"	HB7885C	1	CS Z/P
5	TOP LOCK NUT 7/8"-9	LN70804	1	18-8 SS
6	NUT LOCK HEX 3/8-16	LN70862	2	18-8 SS
7	HEX NUT 3/8"-16	NUT38XSW	2	18-8 SS



FRONT VIEW
SCALE 1 : 2



- NOTES:
 1. FITS ON ARI 20" STYLE MANWAY COVER.
 2. APPROX. TORQUE @ 70° DEFLECTION: 150 FT-LBS.

D	WEB	10/27/20	REPLACED LN77798 W/ LN70862; UPDATED TITLE BLOCK; SORTED BOM
C	CHL	3/21/13	REMOVED 2XLN77798 FROM BOM
B	VD	2/15/13	UPDATED BOM & VIEW
A	WEB	2/14/13	RELEASED FOR PRODUCTION
REV	BY	DATE	DESCRIPTION

UNLESS OTHERWISE SPECIFIED DIMENSIONAL TOLERANCES FRACTIONAL: ±1/16 X.XX: ±.03 X.XXX: ±.015 ANGULAR: ±1° DEBURR ALL SHARP EDGES. ALL MACHINED SURFACES TO HAVE A 125 RMS FINISH UNLESS NOTED OTHERWISE. THIRD ANGLE PROJECTION	DRAWN BY: VD CHECKED BY: WRB PROTOTYPE DATE: 2/8/2013 APPROVED FOR PRODUCTION BY: WRB PRODUCTION DATE: 2/14/2013 SIZE: E DRAWING #: 35314
--------------------------------------------------------------------------------------------------------------------------------------------------------------------------------------------------------------------------------------------------------------	-------------------------------------------------------------------------------------------------------------------------------------------------------------

SALCO PRODUCTS, INC.

PART NAME: **LIFT ASSIST**

MATERIAL: **SEE BOM**

PROJECT #: **120530** SHEET #: **1 OF 1** SCALE: **1:1**

PART #: **LAD20ARI**