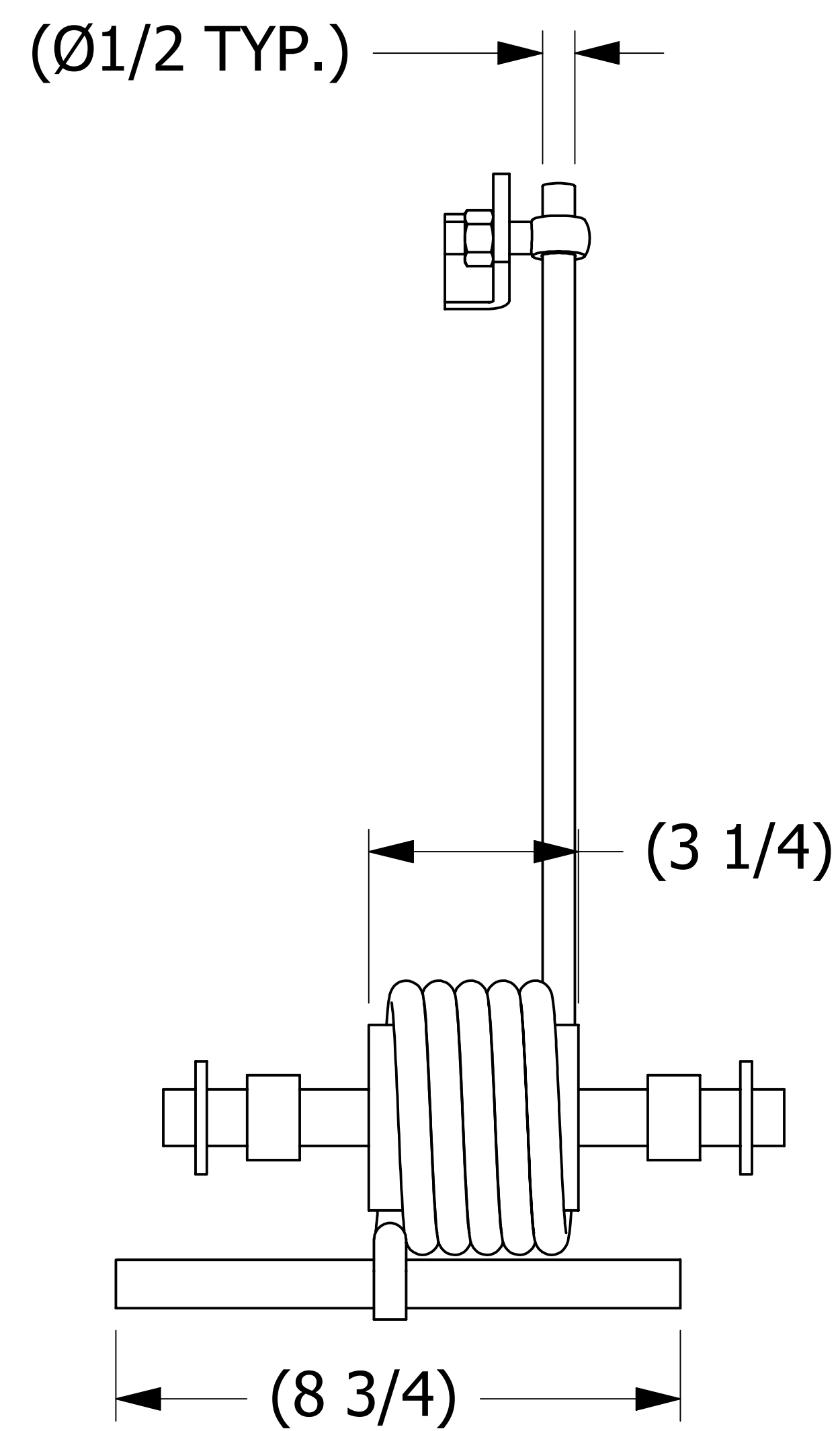
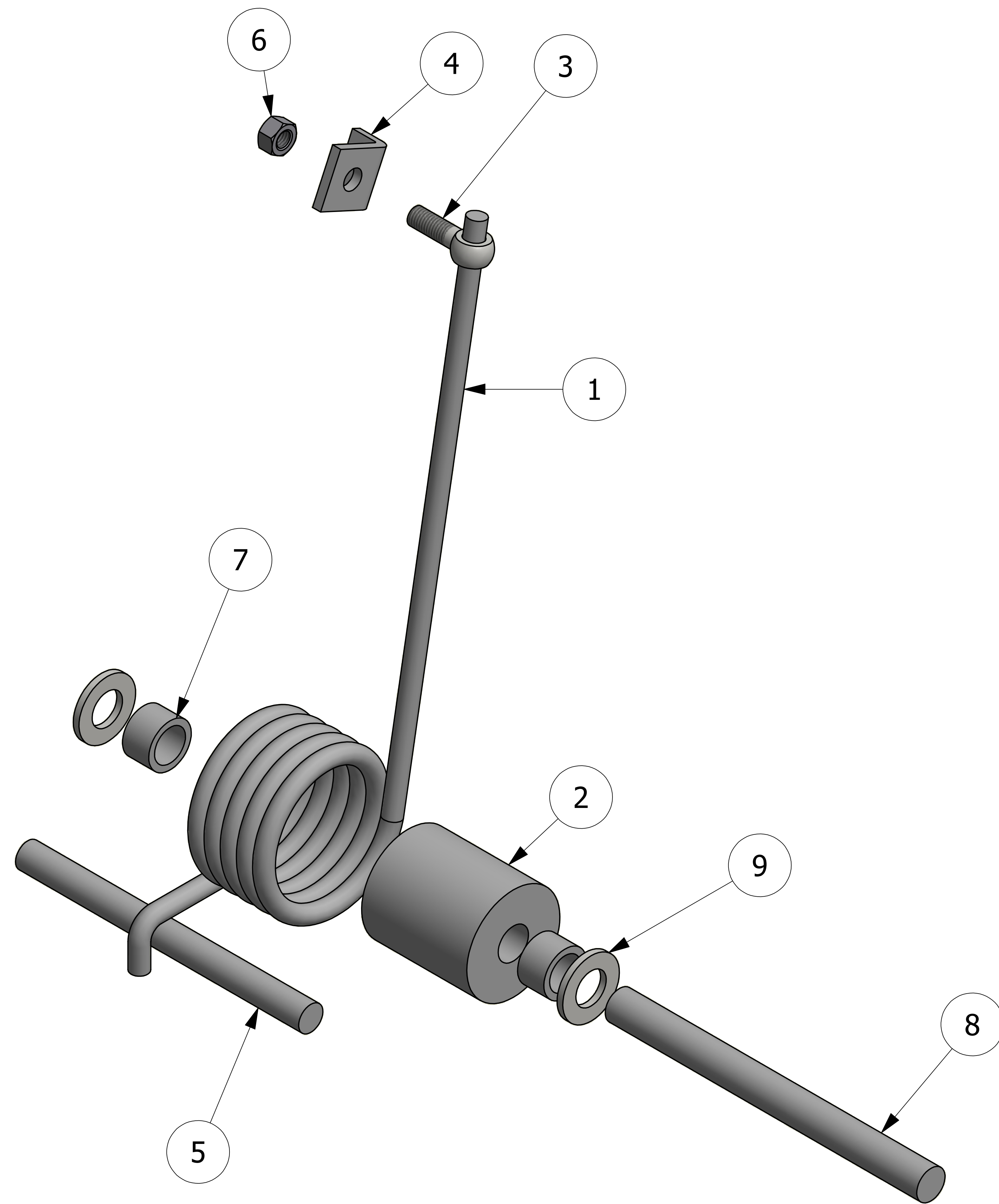
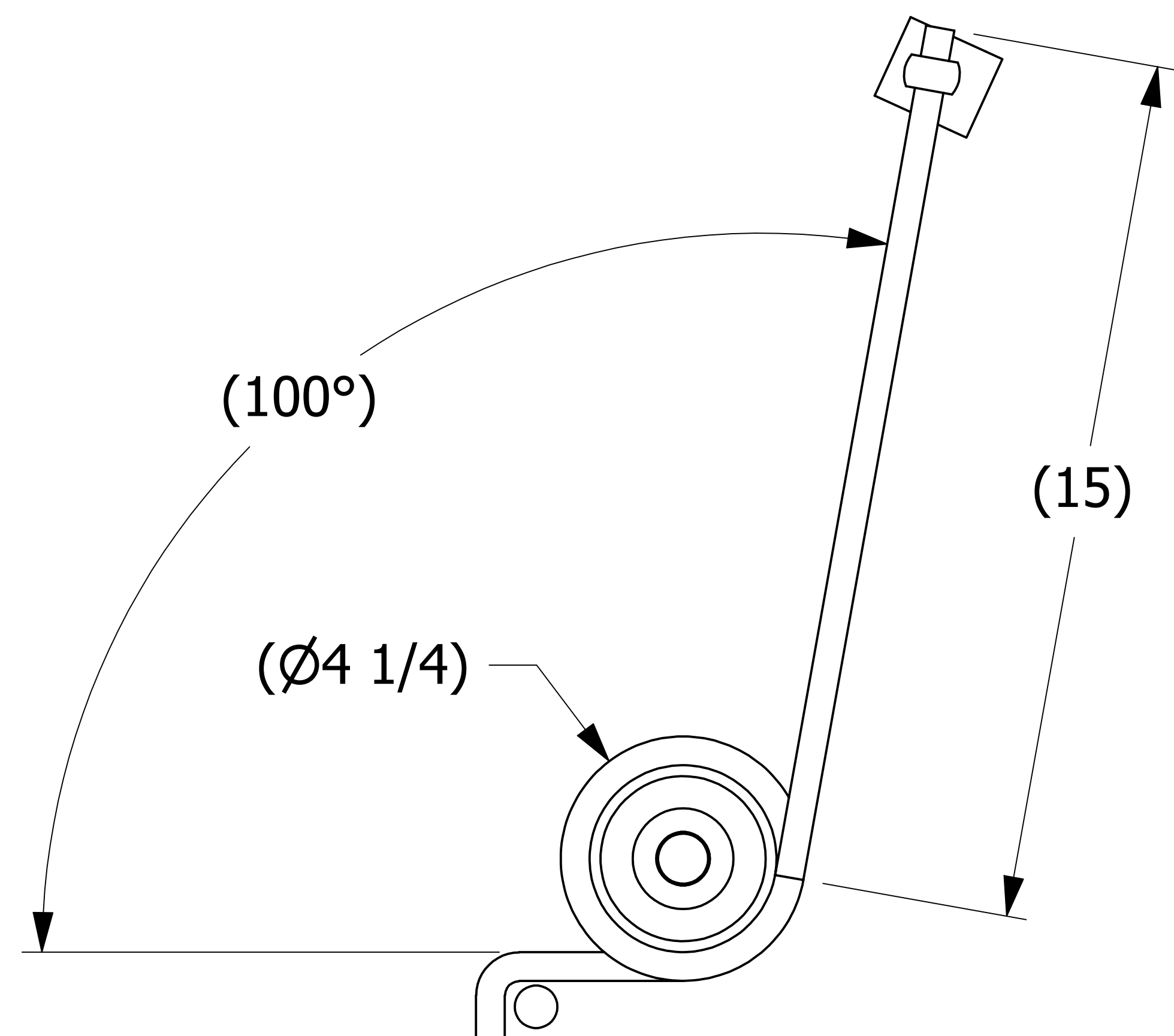


NO.	PART NAME	PART#	REQ'D	MATERIAL
1	TORSION SPRING	D32300	1	CS
2	BUSHING 3 7/8"	A32308	1	CS Z/P
3	EYEBOLT 1/2"X1 3/4"	A19145	1	18-8 SS
4	ANGLE BRACKET	A32580	1	304/316 SS
5	BAR 3/4"	B32302	1	304 SS
6	TOP LOCK NUT 1/2"-13	LN70800	1	18-8 SS
7	SPACER	A35724	2	SS
8	BAR 7/8"	B35936	1	304/316 SS
9	FLAT WASHER 7/8"	WASH78S6	2	316 SS



FRONT VIEW
SCALE 1 : 2



- NOTES:
 1. FITS ON ARI 20" 8 BOLT STYLE MANWAY COVER.
 2. APPROX. TORQUE @ 80° DEFLECTION: 150 FT-LBS.

A	VD	03-15-13	RELEASED FOR PRODUCTION
REV	BY	DATE	DESCRIPTION

UNLESS OTHERWISE SPECIFIED DIMENSIONAL TOLERANCES FRACTIONAL: ±1/16 X.XX: ±.03 X.XXX: ±.015 ANGULAR: ±1° DEBURR ALL SHARP EDGES. ALL MACHINED SURFACES TO HAVE A 125 RMS FINISH UNLESS NOTED OTHERWISE. THIRD ANGLE PROJECTION	DRAWN BY:	VD
	CHECKED BY:	WRB
	PROTOTYPE BY:	VD
	PROTOTYPE DATE:	2/27/2013
	APPROVED FOR PRODUCTION BY:	VD
	PRODUCTION DATE:	3/15/2013

SALCO PRODUCTS, INC.		
PART NAME: LIFT ASSIST		
MATERIAL: SEE BOM		
PROJECT #:	SHEET #:	SCALE:
1302181	1 OF 1	3:4
DRAWING #:	PART #:	
E35486	LAD20ARI01	