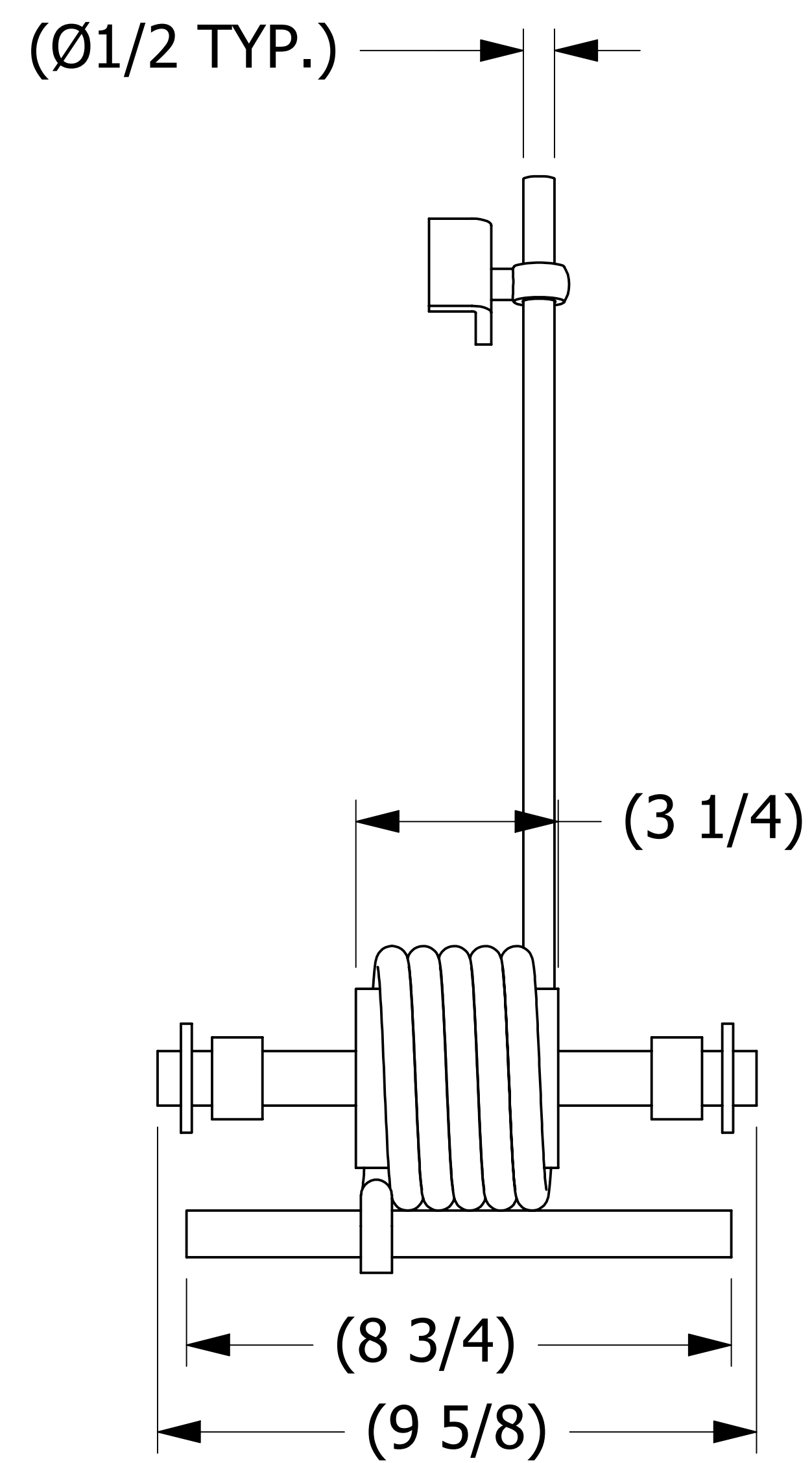
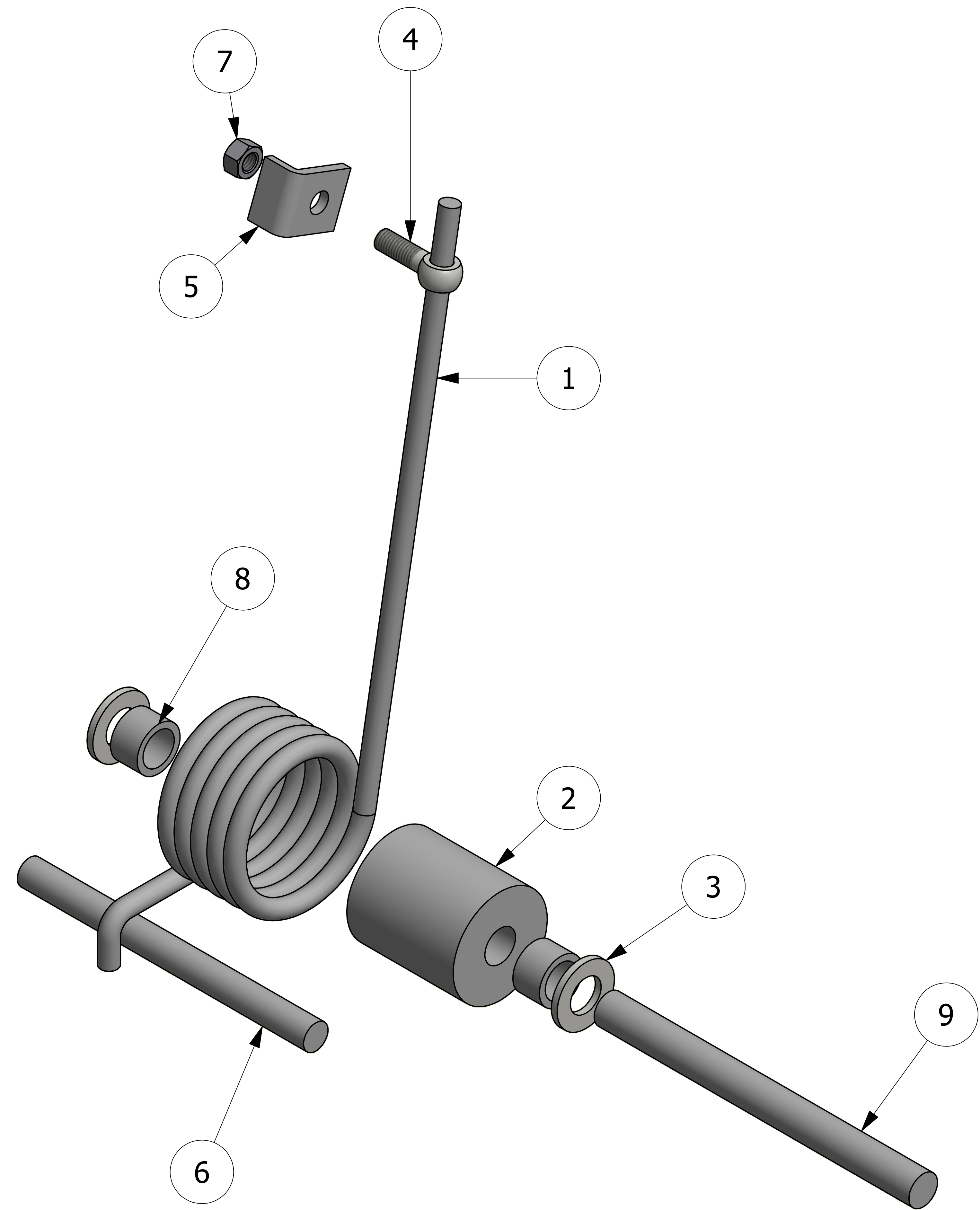
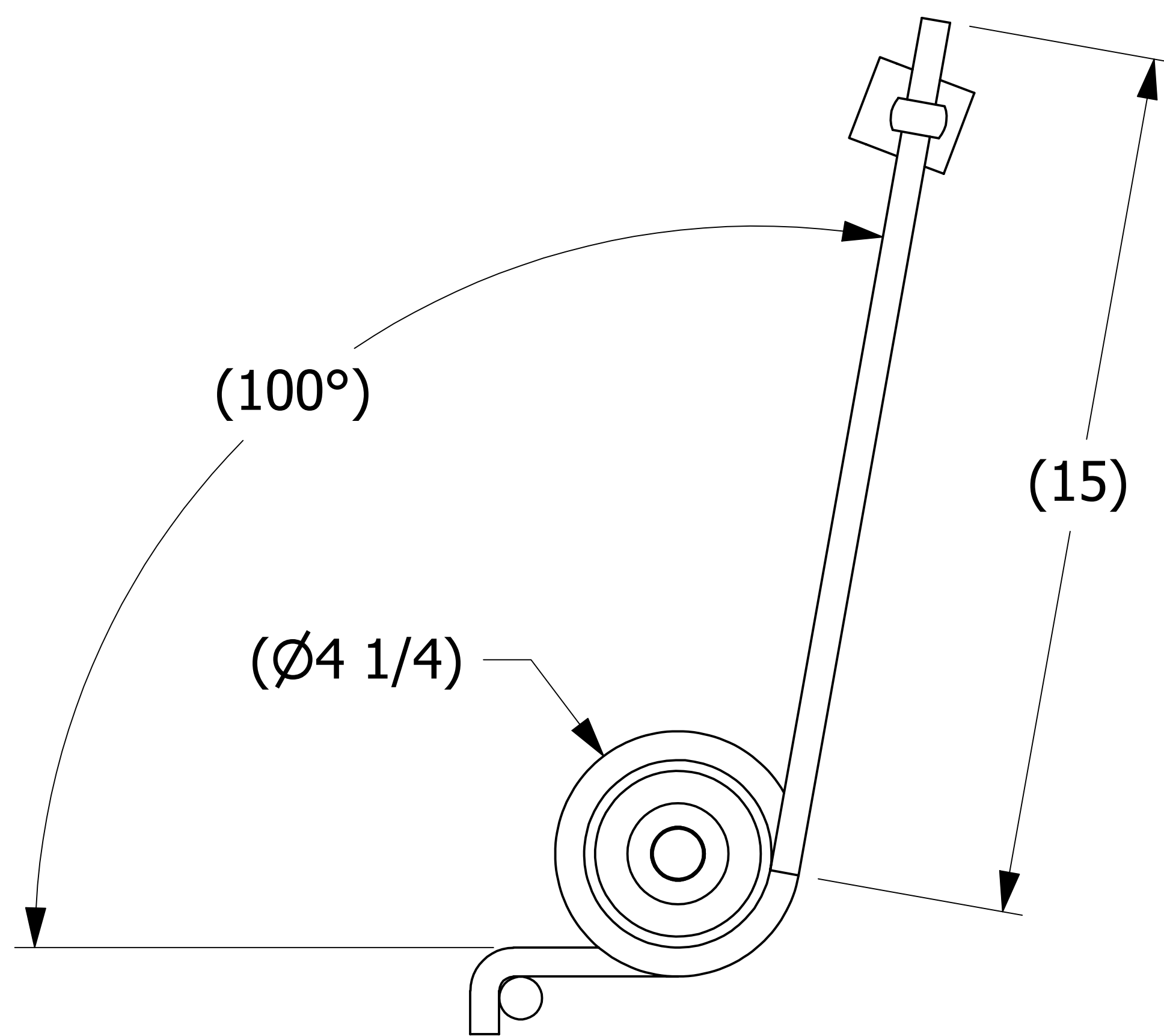


NO.	PART NAME	PART#	REQ'D	MATERIAL
1	TORSION SPRING	D35517	1	17-7 SS
2	BUSHING 3 7/8"	A35515	1	304/316 SS
3	FLAT WASHER 7/8"	WASH78S6	2	316 SS
4	EYEBOLT 1/2"X1 3/4"	A19145	1	18-8 SS
5	ANGLE BRACKET	A32580	1	304/316 SS
6	BAR 3/4"	B32302	1	304 SS
7	TOP LOCK NUT 1/2"-13	LN70800	1	18-8 SS
8	SPACER	A35724	2	SS
9	BAR 7/8"	B35936	1	304/316 SS



FRONT VIEW
SCALE 1 : 2



- NOTES:
 1. FITS ON ARI 20" 8 BOLT STYLE MANWAY COVER.
 2. APPROX. TORQUE @ 75° DEFLECTION: 138 FT-LBS.

C	VD	04-05-13	REPLACED HB0174955, LN70804 W/ B35936 IN BOM
B	VD	03-15-13	ADDED PART A35724 TO BOM
A	VD	03-13-13	RELEASED FOR PRODUCTION
REV	BY	DATE	DESCRIPTION

UNLESS OTHERWISE SPECIFIED DIMENSIONAL TOLERANCES FRACTIONAL: ±1/16 X.XX: ±.03 X.XXX: ±.015 ANGULAR: ±1° DEBURR ALL SHARP EDGES. ALL MACHINED SURFACES TO HAVE A 125 RMS FINISH UNLESS NOTED OTHERWISE. THIRD ANGLE PROJECTION	DRAWN BY:	WEB
	CHECKED BY:	VD
	PROTOTYPE BY:	WEB
	PROTOTYPE DATE:	2/28/2013
APPROVED FOR PRODUCTION BY:	VD	
PRODUCTION DATE:	3/13/2013	

SALCO PRODUCTS, INC.

PART NAME: **LIFT ASSIST**

MATERIAL: **SEE BOM**

PROJECT #:	1302181	SHEET #:	1 OF 1	SCALE:	3:4
DRAWING #:	E35520	PART #:	LAD20ARI01S		